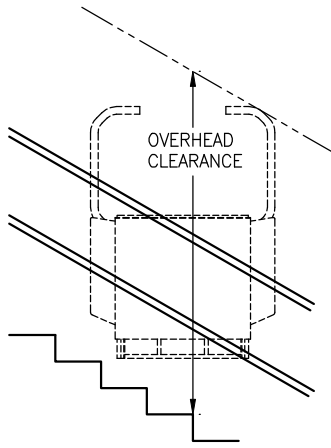
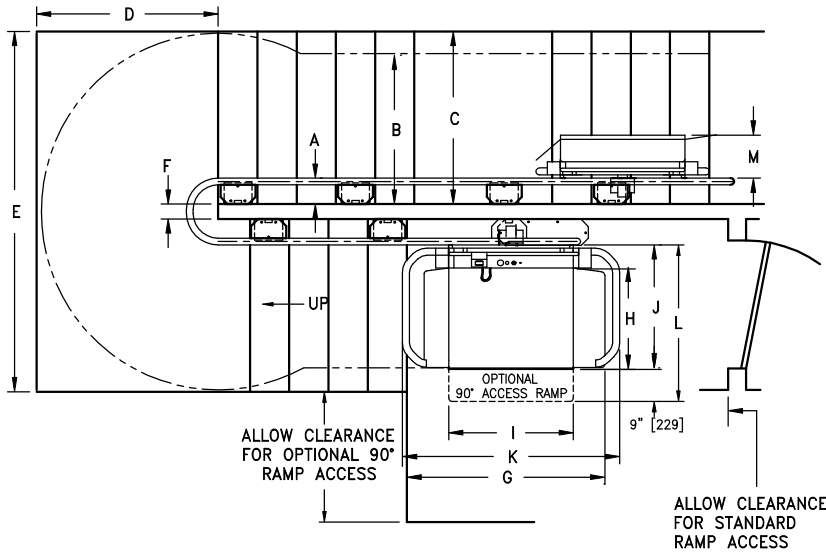


# OVERHEAD CLEARANCE REQUIREMENTS



SLOPE	PLATFORM SIZE		
	28" X 35"	30" X 41"	30" X 48"
5°	73 1/2" [1890]	76" [1930]	77 3/8" [1963]
10°	76 1/2" [1942]	80 5/8" [2048]	81 5/8" [2071]
15°	79 3/4" [2024]	84 5/8" [2148]	86 3/8" [2194]
20°	83 3/4" [2125]	88 3/8" [2244]	91" [2312]
25°	87 5/8" [2225]	93 7/8" [2384]	96 1/4" [2444]
30°	91 3/4" [2330]	98 1/2" [2495]	102" [2591]
35°	95 3/4" [2432]	103 7/8" [2638]	109" [2769]
40°	102" [2590]	110 7/8" [2815]	116 1/4" [2952]
45°	108 1/4" [2750]	118 7/8" [3006]	123 1/2" [3137]



## 28" X 35" PLATFORM

	LOAD BEARING WALL MOUNT 1" x 2" VERTICAL POST	WALL SUPPORTED 2" x 2" VERTICAL POST	FREE STANDING 2" x 4" VERTICAL POST
A*	7 1/4" [184]	8 3/8" [210]	10 3/8" [261]
B*	42 1/4" [1073]	43 1/4" [1098]	45 3/8" [1150]
C	48 5/8" [1235]	49 5/8" [1260]	51 5/8" [1311]
D	51 5/8" [1311]	51 5/8" [1311]	51 5/8" [1311]
E	(2 x C) + F	(2 x C) + F	(2 x C) + F
F**	VARIES	VARIES	VARIES

## 30" X 41" PLATFORM

	LOAD BEARING WALL MOUNT 1" x 2" VERTICAL POST	WALL SUPPORTED 2" x 2" VERTICAL POST	FREE STANDING 2" x 4" VERTICAL POST
A*	7 1/4" [184]	8 3/8" [210]	10 3/8" [261]
B*	44 3/8" [1124]	45 3/8" [1150]	47 1/4" [1200]
C	53 5/8" [1361]	54 5/8" [1387]	56 5/8" [1437]
D	56 5/8" [1437]	56 5/8" [1437]	56 5/8" [1437]
E	(2 x C) + F	(2 x C) + F	(2 x C) + F
F**	VARIES	VARIES	VARIES

## 30" X 48" PLATFORM

	LOAD BEARING WALL MOUNT 1" x 2" VERTICAL POST	WALL SUPPORTED 2" x 2" VERTICAL POST	FREE STANDING 2" x 4" VERTICAL POST
A*	7 1/4" [184]	8 3/8" [210]	10 3/8" [261]
B*	44 3/8" [1124]	45 3/8" [1150]	47 1/4" [1200]
C	54 5/8" [1387]	55 5/8" [1412]	57 5/8" [1463]
D	57 5/8" [1463]	57 5/8" [1463]	57 5/8" [1463]
E	(2 x C) + F	(2 x C) + F	(2 x C) + F
F**	VARIES	VARIES	VARIES

### PARKING REQUIREMENTS & CAR DIMENSIONS

G	H	I	J	K	L	M
51" [1295] + 1 TREAD	28" [711]	35" [889]	35" [889]	56" [1422]	N/A	12 1/8" [308]

### PARKING REQUIREMENTS & CAR DIMENSIONS

G	H	I	J	K	L	M
57" [1450] + 1 TREAD	30" [762]	41" [1041]	37" [940]	56" [1422]	46" [1169]	12 1/2" [315]

### PARKING REQUIREMENTS & CAR DIMENSIONS

G	H	I	J	K	L	M
62" [1574] + 1 TREAD	30" [762]	48" [1220]	37" [940]	63" [1600]	46" [1169]	12 1/2" [315]

**90° Platform Note**  
FOR 90° ACCESS RAMP SPACE REQUIREMENTS ADD 3" TO DIMENSIONS "B", "C" AND "D" FROM CHARTS. ALSO NOTE LOWER LANDING SPACE REQUIREMENTS AS SHOWN IN TOP VIEW, DIMENSIONS "G" AND "L". 90° ACCESS RAMP ONLY AVAILABLE ON 30" X 41" AND 30" X 48" PLATFORMS.

\* - INDICATES DIMENSION MAY VARY +5mm/-10mm

\*\* - IF CENTER WALL OR BANNISTER WIDTH IS GREATER THAN 12" USE 2 HELICAL BENDS.

DIMENSIONS IN BRACKETS [ ] ARE IN MILLIMETERS

 4001 East 138th Street Grandview, MO 64030-2837 <b>Carrier-Lift</b> Inclined Platform Lifts Typical Nominal Dimensions	MODEL:	IL-2000 AND IL-92
	DEAL:	
	CUSTOMER:	
	JOB or P.O.:	
SCALE:	DATE:	ORDER NUMBER:
NTS	66/61/20	CL-NOM