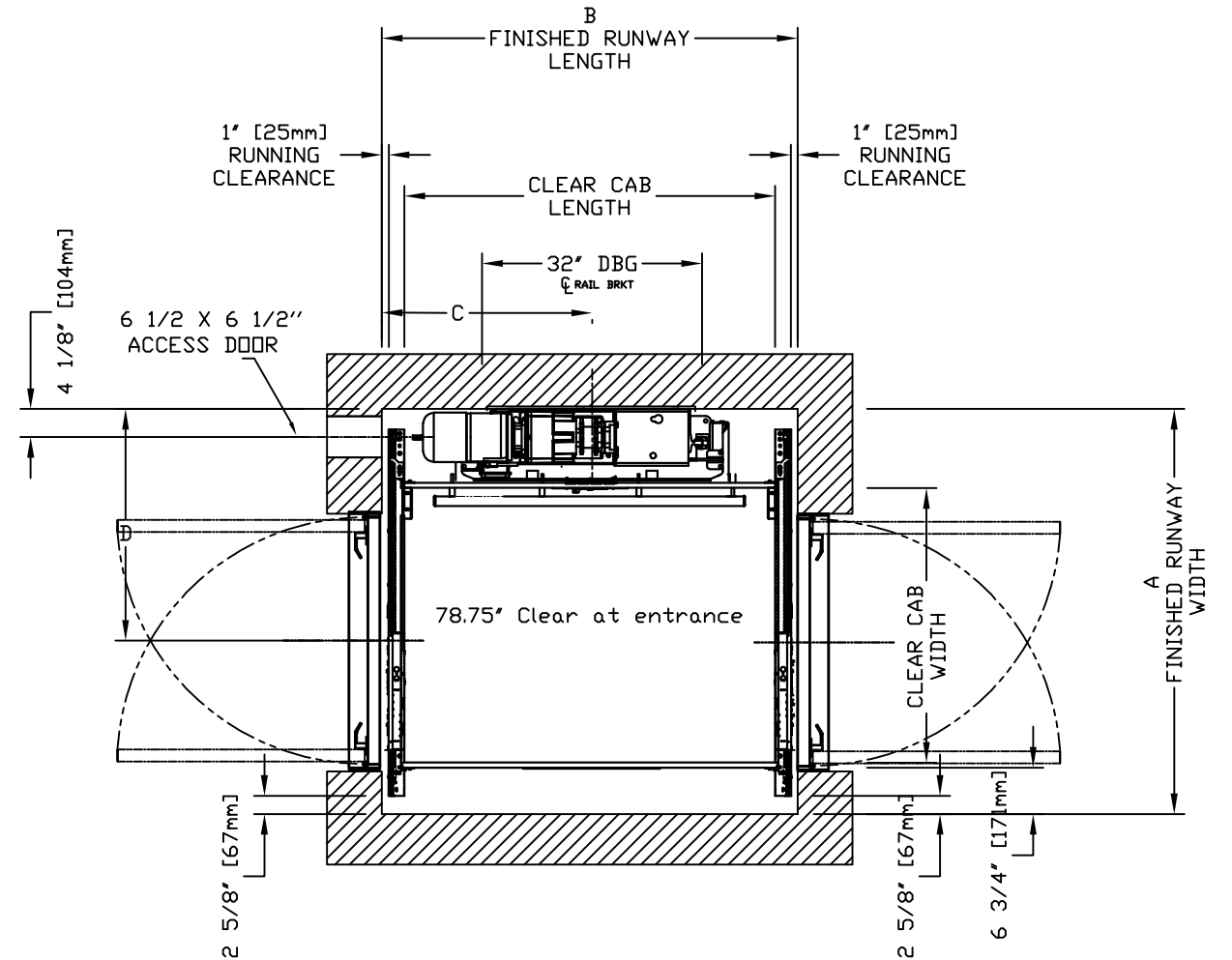
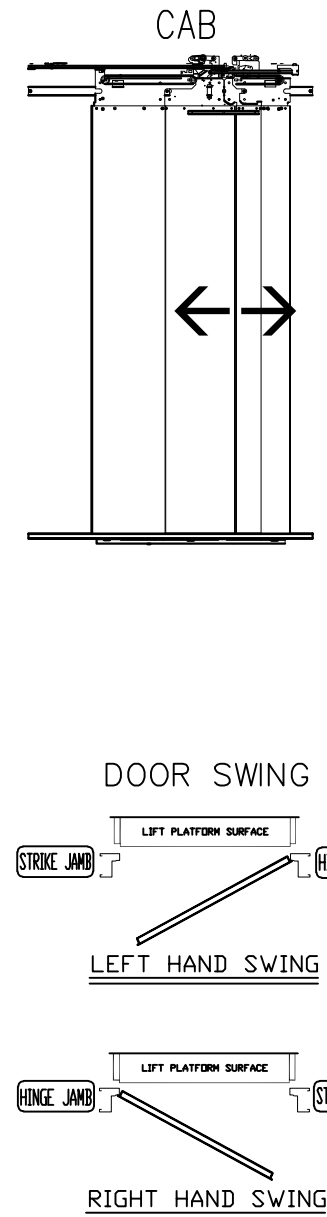
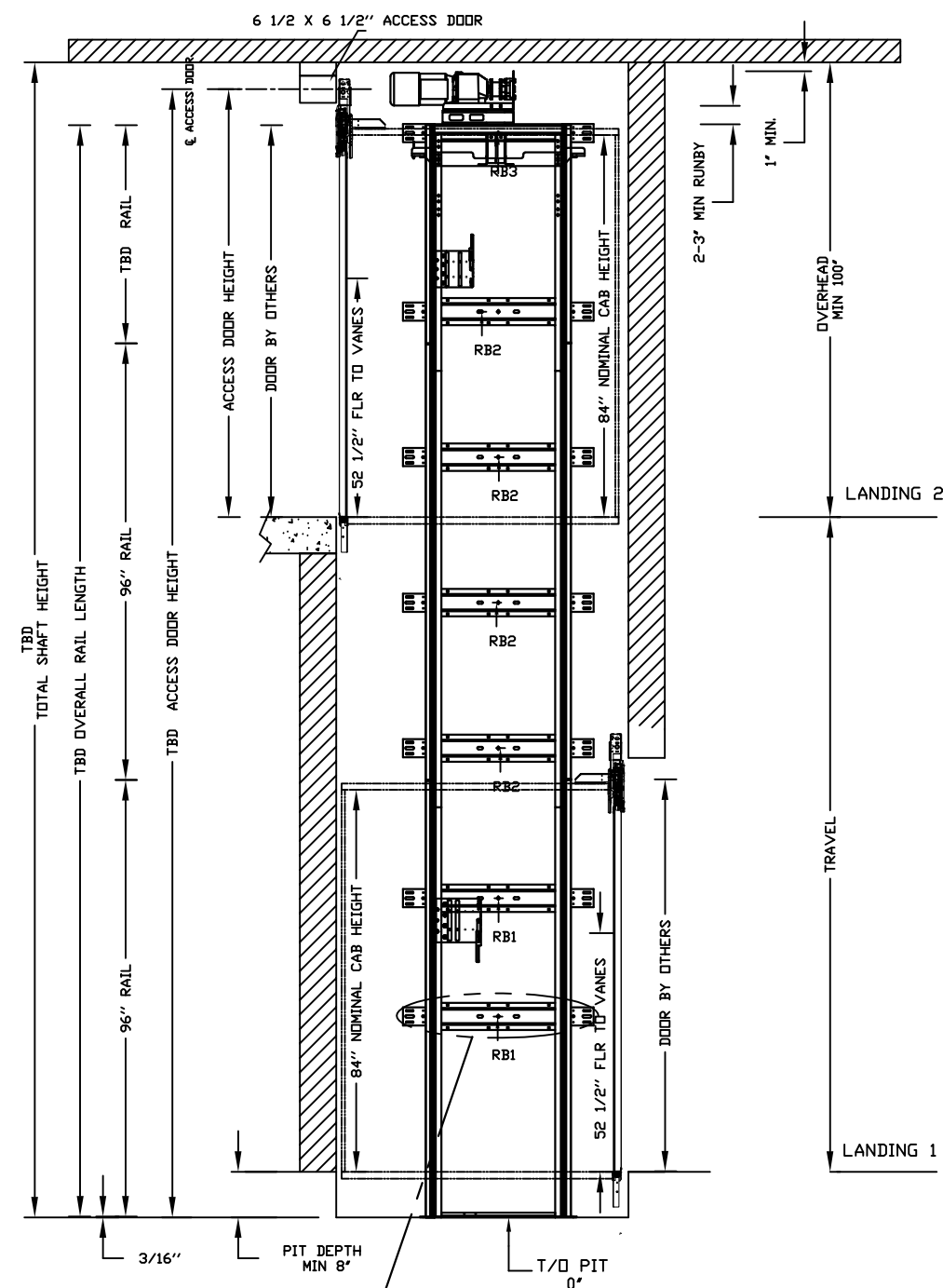


ECLIPSE AUTO SLIM DOORS W Swing Door Model TYPE 2

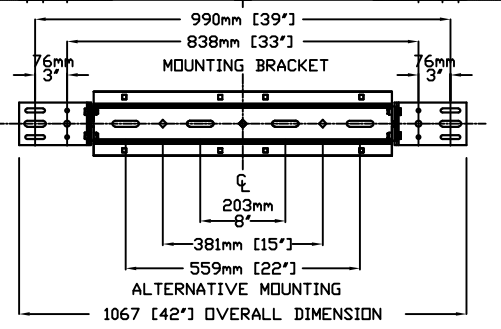
CHARACTERISTICS

- CAB DOOR TYPE: AUTO SLIM 2 SPEED DOORS
- ENTRANCE DOOR TYPE: AUTO SLIM 2 SPEED DOORS
- 2 SPEED DOORS FINISH: PAINT OR STAINLESS STEEL
- FULLY AUTOMATIC OPERATION TO OPEN THE DOORS UPON ARRIVAL AT THE LANDING
- LIGHTWEIGHT ALUMINUM SILL
- EMERGENCY BACK-UP BATTERY SYSTEM
- INFRARED DETECTION SYSTEM TO RETRACT DOORS BEFORE HITTING AN OBSTRUCTION



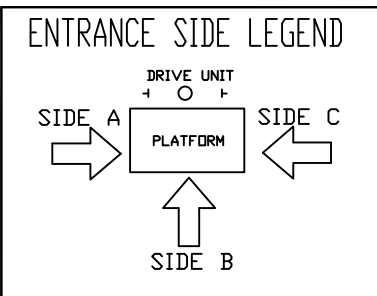
CLEAR INSIDE CAB WIDTH		CLEAR INSIDE CAB LENGTH		A FINISHED RUNWAY WIDTH		B FINISHED RUNWAY LENGTH		C RAIL CENTER LINE		D DOOR CENTER LINE	
mm	Inches	mm	Inches	mm	Inches	mm	Inches	mm	Inches	mm	Inches
914	36	1219	48	1499	59	1384	54 1/2	692	27 1/4	838	33
914	36	1372	54	1499	59	1537	60 1/2	768	30 1/4	838	33
914	36	1524	60	1499	59	1689	66 1/2	845	33 1/4	838	33
1016	40	1372	54	1524	60	1537	60 1/2	768	30 1/4	864	34

DOCUMENT REVISION 002, DATE: 08/28/18



FINAL RAIL BRACKET RB3	BELOW THE MOTOR CONSULT YOUR CONCORD REPRESENTATIVE FOR EXACT LOCATION
INTERMEDIATE RAIL BRACKET RB2	32" [813mm] INTERVALS AFTER 2nd BOTTOM BRACKET
BOTTOM RAIL BRACKET RB1	44" [1118mm] & 71" [1804mm] ABOVE PIT FLOOR

RAIL FORCES	
*R1	*R2
138.2 kg [304 lbf]	88.2 kg [194 lbf]
RAIL ASSY WEIGHT: 24.5 kg / m [18.0 lbs / ft]	
PIT FLOOR TO SUPPORT LOAD OF (INCLUDES IMPACT)	
2909 kg [6400 lbs]	



RESIDENTIAL ELEVATOR ECLIPSE SLIMS DOORS W Swing Door TYPE 2

ALL INFORMATION IS SUBJECT TO CHANGE. PLEASE REFERENCE OUR ON-LINE DRAWINGS AT www.savaria.com FOR THE MOST RECENT UPDATES



AND MAY NOT BE USED BY OTHERS WITHOUT PRIOR WRITTEN CONSENT