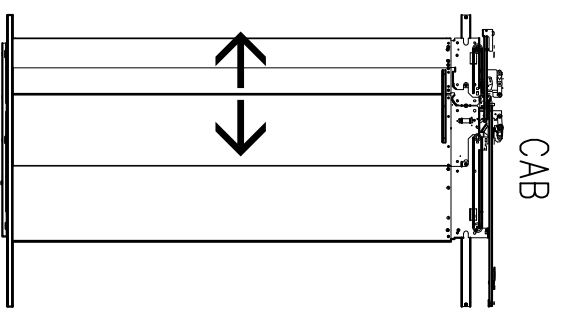
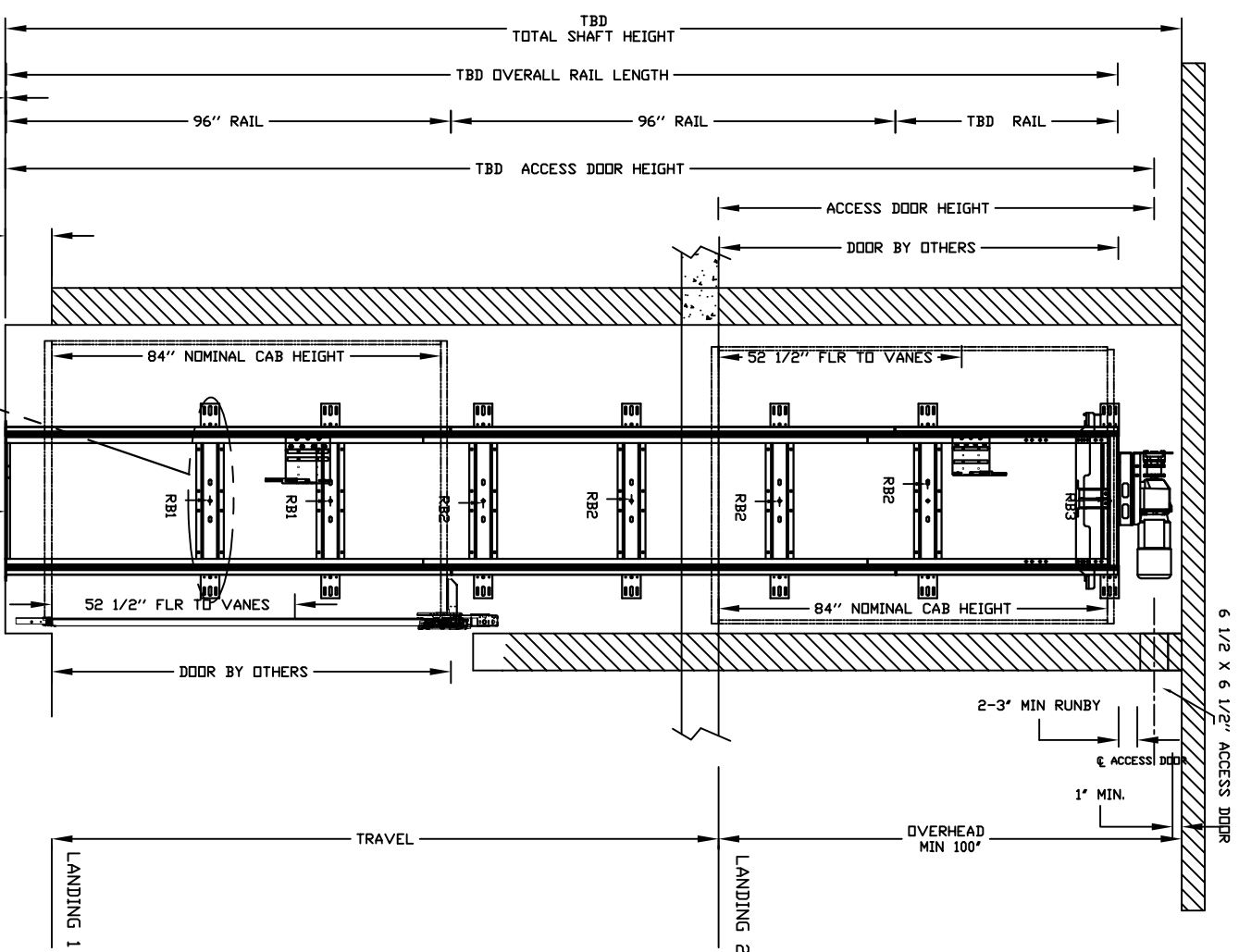
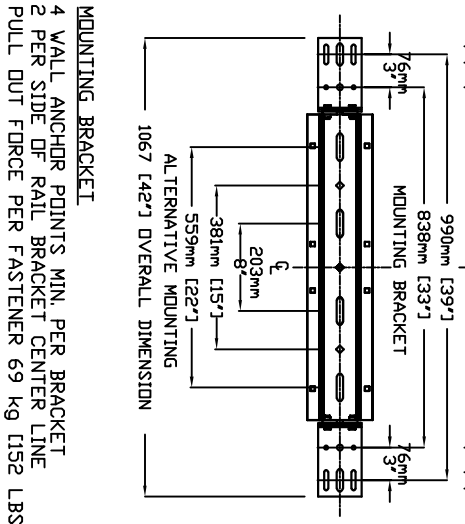
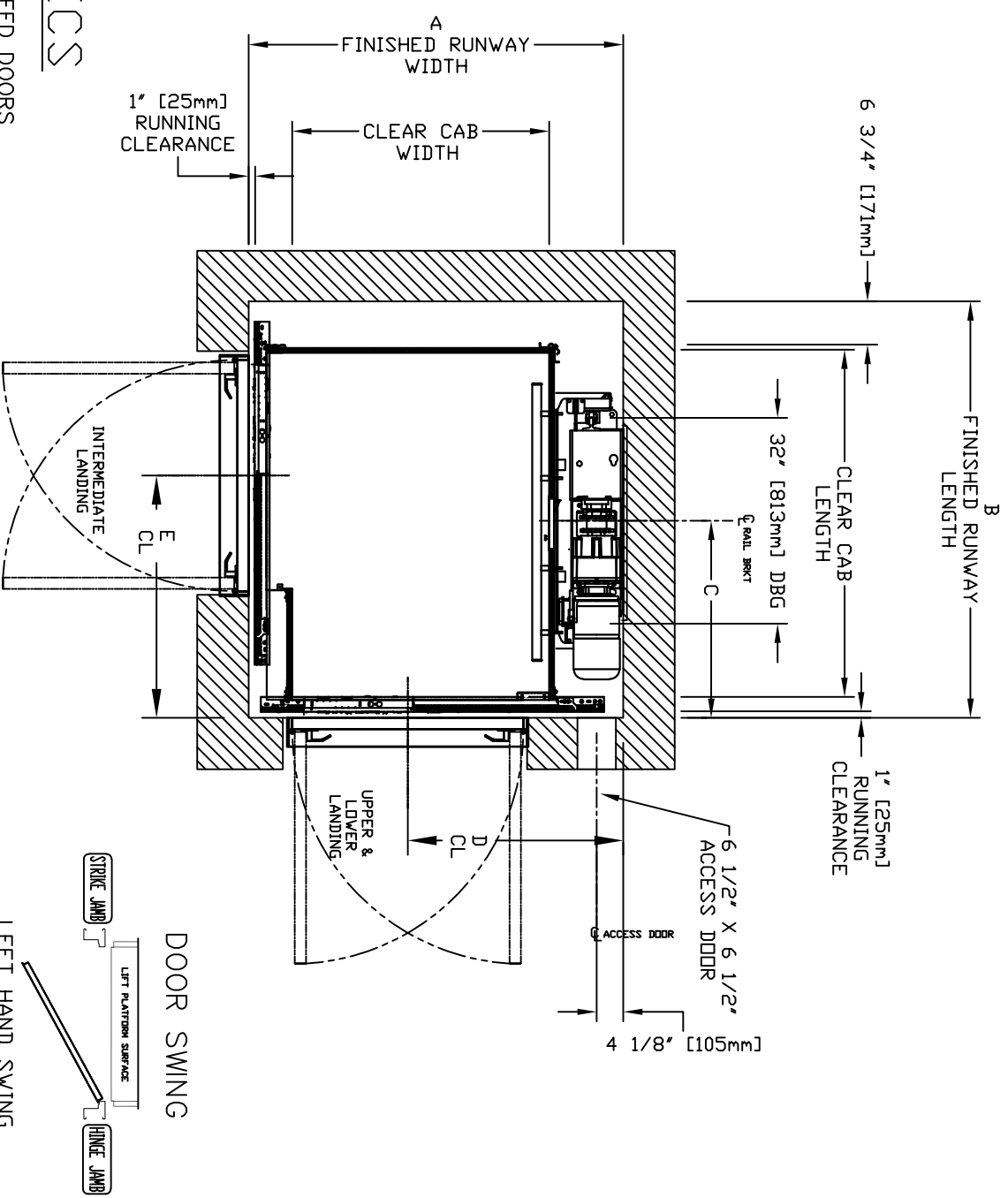


ECLIPSE AUTO SLIM DOORS W Swing Door Model TYPE 3



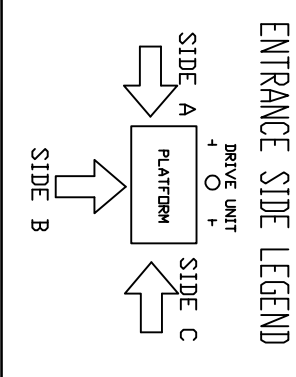
CHARACTERISTICS

- CAB DOOR TYPE: AUTO SLIM 2 SPEED DOORS
- ENTRANCE DOOR TYPE: AUTO SLIM 2 SPEED DOORS
- 2 SPEED DOORS FINISH: PAINT OR STAINLESS STEEL
- FULLY AUTOMATIC OPERATION TO OPEN THE DOORS UPON ARRIVAL AT THE LANDING LIGHTWEIGHT ALUMINUM SILL
- EMERGENCY BACK-UP BATTERY SYSTEM
- INFRARED DETECTION SYSTEM TO RETRACT DOORS BEFORE HITTING AN OBSTRUCTION



FINAL RAIL BRACKET RB3	BELOW THE MOTOR CONCORD REPRESENTATIVE FOR EXACT LOCATION
INTERMEDIATE RAIL BRACKET RB2	32" [813mm] INTERVALS AFTER 2nd BOTTOM BRACKET
BOTTOM RAIL BRACKET RB1	44" [1118mm] & 71" [1804mm] ABOVE PIT FLOOR

RAIL FORCES	
* R1	* R2
138.2 kg [304 lbf]	88.2 kg [194 lbf]
RAIL ASSY WEIGHT: 118.0 lbs / 43	24.5 kg / 54
PIT FORCE: R3	
PIT FLOOR TO SUPPORT LOAD (INCLUDES IMPACT) 2909 kg [6400 lbs]	



CLEAR INSIDE CAB WIDTH	CLEAR INSIDE CAB LENGTH	A		B		C		D		E	
		mm	Inches	mm	Inches	mm	Inches	mm	Inches	mm	Inches
914	36	1372	54	1499	59	1645	64 3/4	768	30 1/4	845	33 1/4
914	36	1524	60	1499	59	1797	70 3/4	845	33 1/4	845	33 1/4
1016	40	1372	54	1524	60	1645	64 3/4	768	30 1/4	870	34 1/4

RESIDENTIAL ELEVATOR
ECLIPSE SLIMS DOORS W Swing Door TYPE 3

DOCUMENT REVISION 002, DATE: 08/28/18

ALL INFORMATION IS SUBJECT TO CHANGE. PLEASE REFERENCE OUR ON-LINE DRAWINGS AT www.savaria.com FOR THE MOST RECENT UPDATES.

THE INFORMATION DISCLOSED HEREIN IS THE EXCLUSIVE PROPERTY OF

SHEET # 1/1

MOUNTING BRACKET
4 WALL ANCHOR POINTS MIN. PER BRACKET
2 PER SIDE OF RAIL BRACKET CENTER LINE
PULL OUT FORCE PER FASTENER 69 kg [152 LBS]