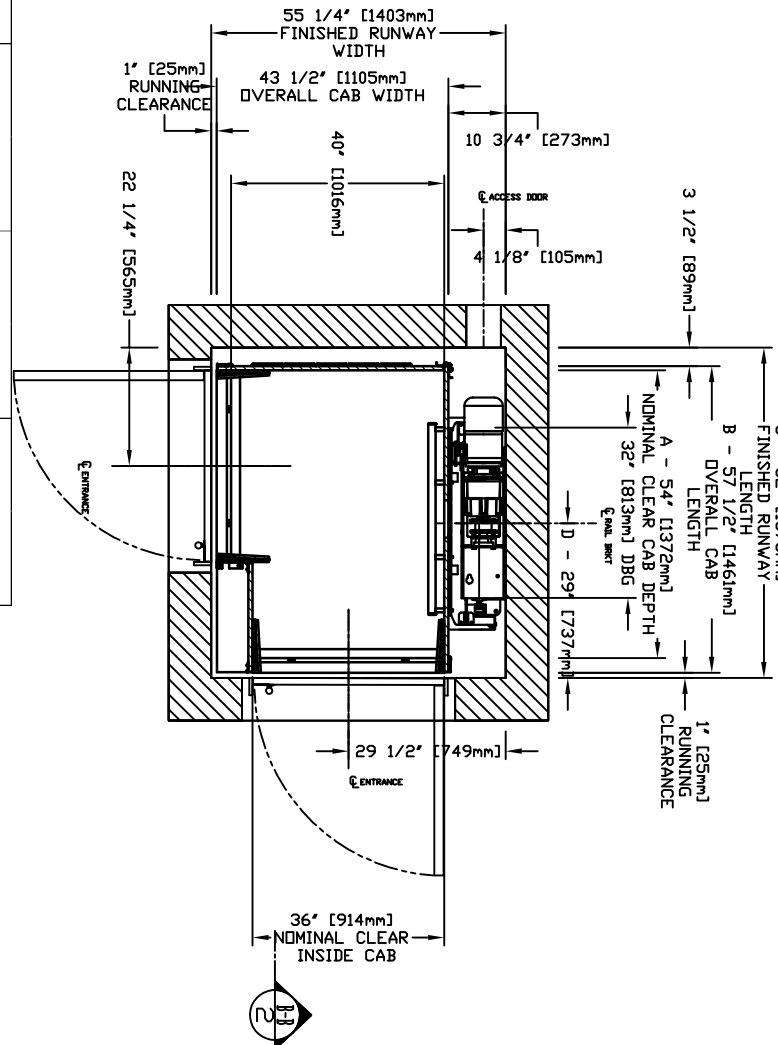


ENTRANCE

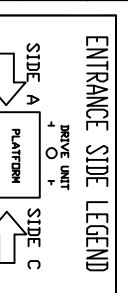
CHARACTERISTICS

- CAB DOOR TYPE: AUTO BIFOLD DOORS
- ENTRANCE DOOR TYPE: SWING DOORS
- BIFOLD DOORS FINISH: PAINT OR STAINLESS STEEL
- FULLY AUTOMATIC OPERATION TO OPEN THE DOORS UPON ARRIVAL AT THE LANDING
- LIGHTWEIGHT ALUMINUM SILL
- FOR CAB LONGER THAN 54" EXTENSION PANELS WILL BE PROVIDED AT THE ENDS OF EACH WALLS



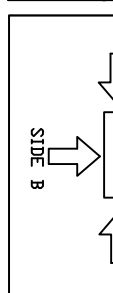
A NOMINAL CLEAR INSIDE CAB LENGTH	B OVERALL CAB LENGTH	C FINISHED RUNWAY LENGTH	D RAIL CENTER LINE	
			mm	inches
1219 mm	48 inches	1308 mm	51 1/2 inches	660 mm
1372 mm	54 inches	1461 mm	57 1/2 inches	737 mm
1524 mm	60 inches	1613 mm	63 1/2 inches	864 mm

DOCUMENT REVISION 000, DATE: 06/25/20

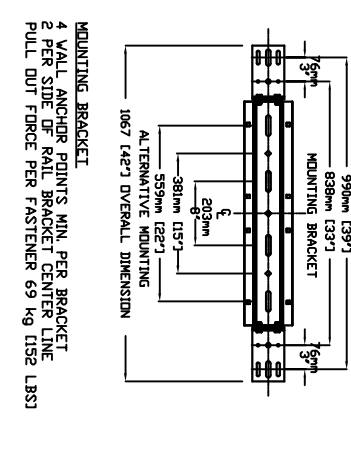


RESIDENTIAL ELEVATOR ECLIPSE BIFOLD TYPE 3

RAIL FORCES	
*R1	*R2
1382 kg [3046 lb]	882 kg [1941 lb]
1304 (67) 243 kg / R3	1124 (107)
WEIGHT: (180 lbs / R3)	
PIT FLOOR TO SUPPORT & LOAD (INCLUDES IMPACT)	
2909 kg [6400 lbs]	



ALL INFORMATION IS SUBJECT TO CHANGE. PLEASE REFERENCE OUR ON-LINE DRAWINGS AT WWW.SAVARIA.COM FOR THE MOST RECENT UPDATES



BRACKET TYPE	BELOW THE MOTOR CONSULT YOUR REPRESENTATIVE FOR EXACT LOCATION
FINAL RAIL BRACKET (RB3)	32" (813mm) INTERVALS AFTER 2nd BOTTOM BRACKET
INTERMEDIATE RAIL BRACKET (RB2)	39" (991mm) & 71" (1804mm) ABOVE PIT FLOOR
BOTTOM RAIL BRACKET (RB1)	

CANNOT HAVE HABITABLE SPACE BELOW PIT

1/8" MIN. 8" PIT DEPTH

1/16" FLR TO VANES

3/4" FLR TO VANES

SEE DOOR DWG

TBD ACCESS DOOR HEIGHT

TBD OVERALL RAIL LENGTH

TBD RAIL

TBD TOTAL SHAFT HEIGHT