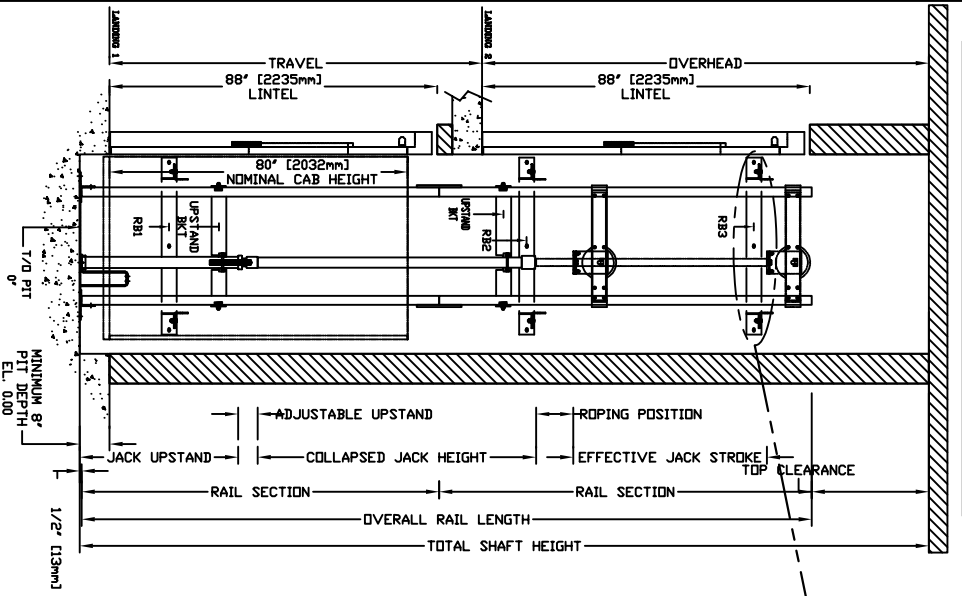


SECTIONAL VIEW - INFINITY Model 4054 TYPE 1L



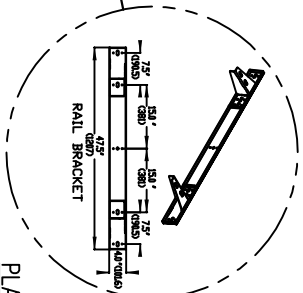
TOP RAIL BRACKET RB3 LOCATION	AT TOP OF HOISTWAY CONCORD FOR EXACT POSITION	FLOOR No.	REAR FRONT	FLOOR HEIGHT
INTERMEDIATE RAIL BRACKET RB2	96" [2439mm] INTERVALS ABOVE BOTTOM BRACKET			
BOTTOM RAIL BRACKET RB1	2" [51mm] ABOVE PIT FLOOR			
		<b>TOTAL RISE</b>		

**PIT / OVERHEAD REQUIREMENTS**

MAX. SPEED (ft./min)	MIN. PIT TRAVEL	MINIMUM OVERHEAD
36	8" ***	92" (2337)

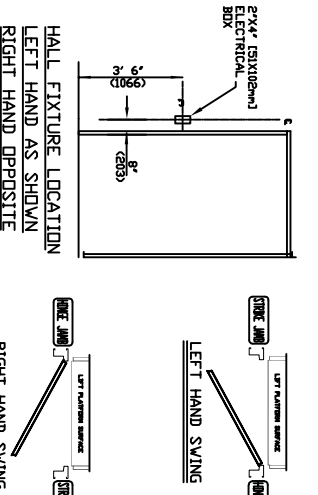
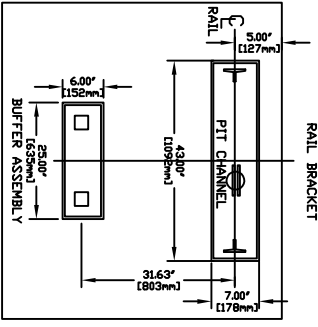
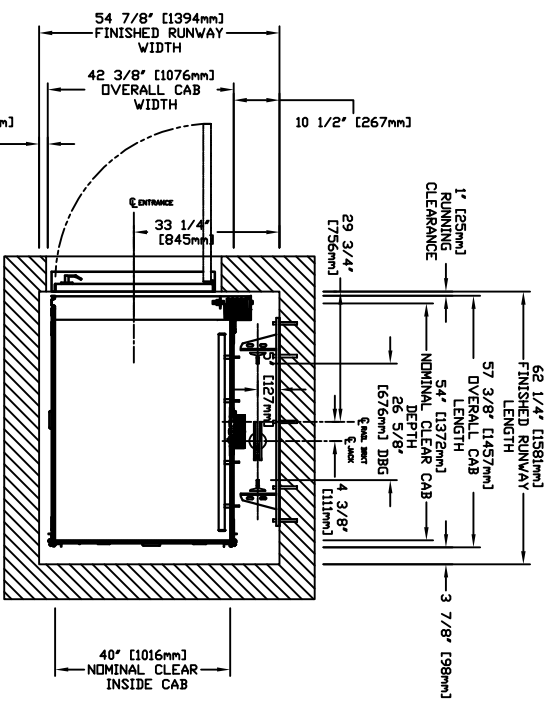
\*\*\* NOTE: Additional pit equipment required when over 36" [914.4mm] deep, consult your local dealer for details

DOCUMENT REVISION 001, DATE 04/24/07



RAIL FORCES	R3 NOTE:
	PIT FLOOR TO SUPPORT LOAD OF 560lbs *
* R1	* R2
3040LbF	1940LbF
FOR TOTAL FULL-FLOOR FORCE ON RAIL BRACKET, R1 MUST BE DOUBLED * 2	

PLAN VIEW - INFINITY Model 4054 TYPE 1L



**PROVISIONS BY OTHERS**

**\*GENERAL**  
 HOISTWAY- THE HOISTWAY MUST BE IN ACCORDANCE WITH SAFETY CODE FOR ELEVATORS, 944 SECTION 5.3, SAFETY CODE FOR ELEVATORS AND ESCALATORS, (ASME A17.1) AND ALL STATE/PROVINCIAL AND LOCAL CODES.  
 PLUMB HOISTWAY- DUE TO CLOSE RUNNING CLEARANCES OWNER/AGENT MUST ENSURE THAT HOISTWAY AND PIT (WHERE PROVIDED) ARE LEVEL, PLUMB AND SQUARE AND ARE IN ACCORDANCE WITH THE DIMENSIONS ON THESE DRAWINGS.  
 MINIMUM OVERHEAD CLEARANCE- OWNER/AGENT MUST ENSURE MINIMUM OVERHEAD CLEARANCE IS IN COMPLIANCE WITH CODES.  
 CONSTRUCTION SITE- OWNER/AGENT TO PROVIDE ALL MASONRY, CARPENTRY AND DRYWALL WORK AS REQUIRED AND SHALL PATCH AND MAKE GOOD (INCLUDING FINISH PAINTING) ALL AREAS WHERE WALLS/FLOORS MAY REQUIRE TO BE CUT, DRILLED OR ALTERED IN ANY WAY TO PERMIT THE PROPER INSTALLATION OF THE LIFT.  
 DIMENSIONS- CONTRACTOR/CUSTOMER TO VERIFY ALL DIMENSIONS AND REPORT ANY DISCREPANCIES TO OUR OFFICE IMMEDIATELY.  
 \*STRUCTURAL- FLOOR/SUPPORT WALL LOADS- STRUCTURAL ENGINEER TO ASSURE THAT BUILDING AND SHAFT WILL SAFELY SUPPORT ALL LOADS IMPOSED BY THE LIFT EQUIPMENT. REFER TO THE TABLES ON THIS DRAWING FOR LOADS IMPOSED BY THE EQUIPMENT.  
 WHERE DOORS ARE REQUIRED- SUITABLE LINTELS MUST BE PROVIDED BY OWNER/AGENT. DOOR FRAMES ARE NOT DESIGNED TO SUPPORT OVERHEAD WALL LOADS.  
 \*MACHINE ROOM LOCATION / ACCESS- MACHINE ROOM LOCATED AT THE LOWEST LEVEL ADJACENT TO HOISTWAY, UNLESS SHOWN OTHERWISE ON THE LAYOUT DRAWINGS. FIELD ADJUSTMENT BY INSTALLER MAY BE NECESSARY TO MEET JOB SITE CONDITIONS OR REGULATIONS. ACCESS TO MACHINE ROOM TO BE THROUGH A SELF CLOSING LOCKING DOOR. SLEEVES FOR OIL & ELECTRIC LINES- FROM MACHINE ROOM TO RUNWAY AS REQUIRED. (POSITION PER INSTALLERS INSTRUCTIONS).

**\*ELECTRICAL**  
 OWNER SUPPLIES (SEE SPECIFICATIONS) LOCKABLE FUSED DISCONNECT WITH FULCRUM CONTACT BREAKER FOR BATTERY FEED, OR CIRCUIT BREAKER WITH CONTACT BREAKER FOR AS FLOORS IN COMPLIANCE WITH ELECTRICAL CODES AS FLOORS ARE LOCATED ON WALL ON LOCK JAMB SIDE OF MACHINE ROOM DOOR. PERMANENT POWER, BEFORE INSTALLATION CAN BE ON, PERMANENT POWER MUST BE SUPPLIED.  
 LIGHTING- OWNER/AGENT TO ENSURE AT LEAST 5 FTC OR 54 LUX AMBIENT LIGHTING OVER LIFT AREA.  
 \*ENTRANCES  
 FASCIA PANEL RELAY UPPER LEVEL ENTRANCE- WHERE REQUIRED, FASCIA PANEL MUST BE FASTENED TO SOLID WALL AND BE PERPENDICULAR TO THE FLOOR AND WALLS. HOISTWAY FASCIA IS NOT SELF-SUPPORTING FOR LONG CONTINUOUS RUNS. VOID OF ENTRANCES ADEQUATE SUPPORT FOR THE FASCIA MUST BE PROVIDED.  
 ENTRANCE ASSEMBLIES- ENTRANCE ASSEMBLIES MUST BE ADJUSTED TO ALIGN WITH PLATFORM AND INTERLOCK EQUIPMENT. OTHERS TO ALLOW AN ADEQUATE ROUGH OPENING.  
 RETURN WALLS- RETURN WALLS AT ENTRANCES MUST BE BUILT-IN BY OTHERS AFTER ENTRANCE ASSEMBLIES ARE IN PLACE. ENTRANCE ASSEMBLY MUST BE SECURELY FASTENED TO WALLS BY ELEVATOR CONTRACTOR.

**NOTE B**  
 ALL INFORMATION IS SUBJECT TO CHANGE. PLEASE REFERENCE OUR ON-LINE DRAWINGS AT WWW.CONCORD-ELEVATOR.COM FOR THE MOST RECENT UPDATES

INPUT VOLTAGE DISCONNECT	TIME DELAY	FULL LOAD	
(V/PH/0/C/D/E)	SIZE (AMPS)	FUSE (AMPS) CURRENT (AMPS)	
MOTOR INFO	30	20	106
	60	30	170
CAB LIGHTS	115/1PH	15	

RESIDENTIAL ELEVATOR  
 INFINITY MODEL 4054 TYPE 1L

CUSTOMER: \_\_\_\_\_ PROJECT: \_\_\_\_\_ LOCATION: \_\_\_\_\_

DATE: \_\_\_\_\_ REVISION DATE: \_\_\_\_\_ COMPLETED BY: \_\_\_\_\_

THE INFORMATION PROVIDED HEREIN IS THE EXCLUSIVE PROPERTY OF **savoria** AND WILL NOT BE COPIED BY OTHERS WITHOUT THE WRITTEN CONSENT OF SAVORIA.

**savoria** SHERET