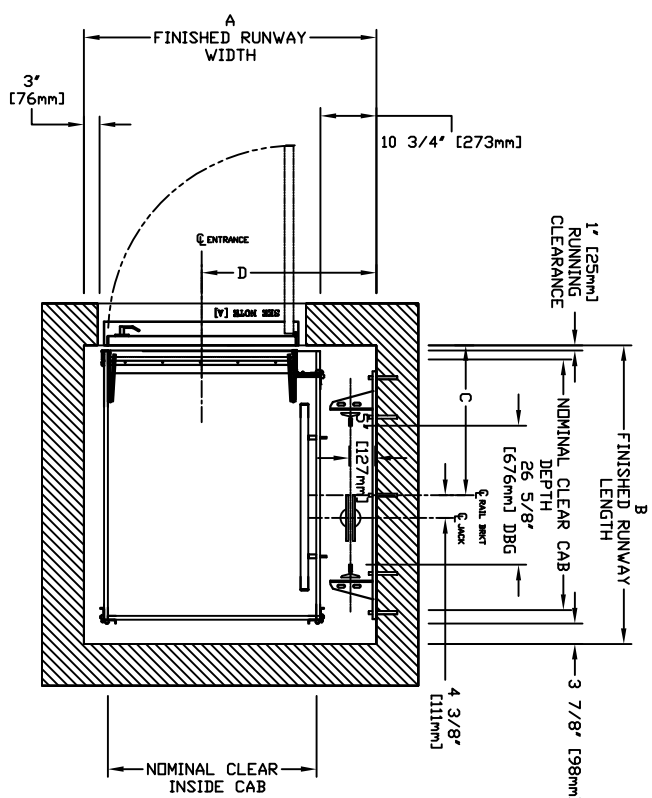
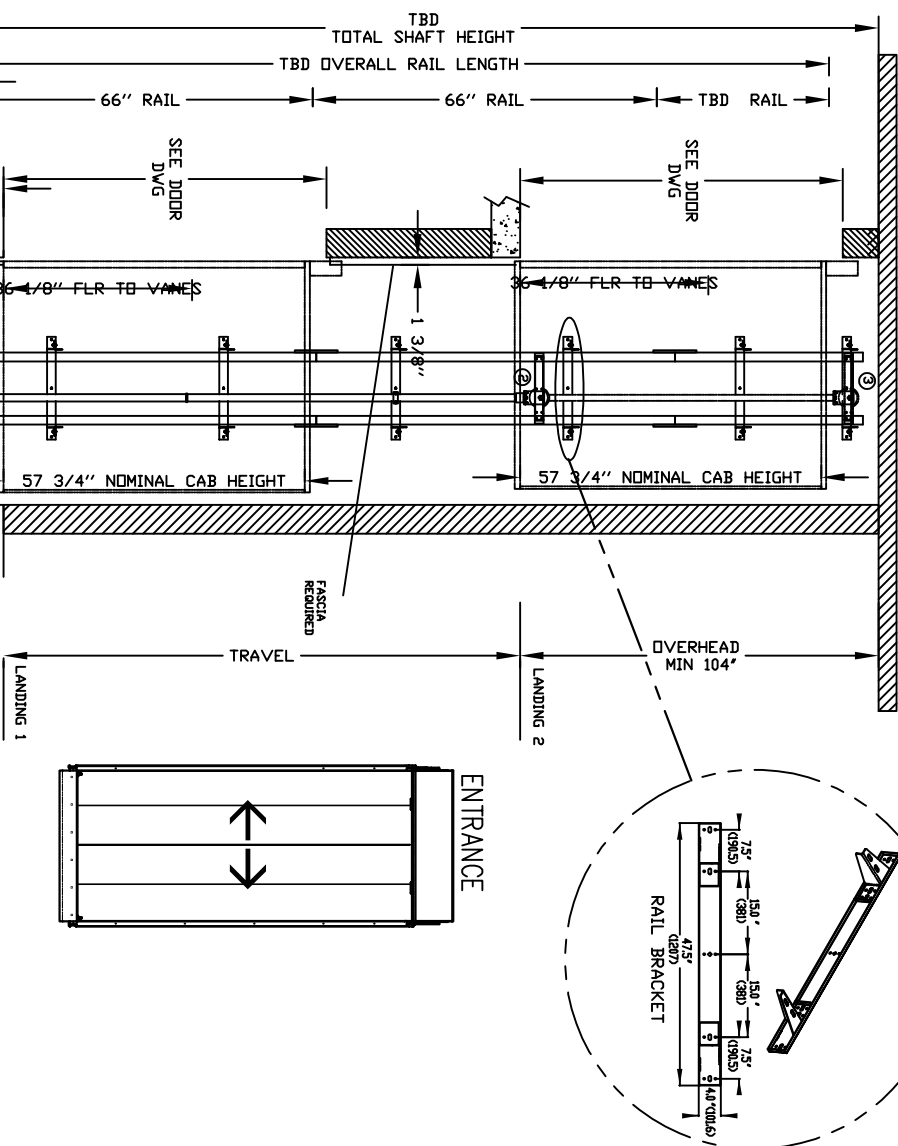


CHARACTERISTICS

- CAB DOOR TYPE: AUTO SLIM 2 SPEED DOORS
- ENTRANCE DOOR TYPE: AUTO SLIM 2 SPEED DOORS
- 2 SPEED DOORS FINISH: PAINT OR STAINLESS STEEL
- FULLY AUTOMATIC OPERATION TO OPEN THE DOORS UPON ARRIVAL AT THE LANDING
- LIGHTWEIGHT ALUMINUM SILL
- EMERGENCY BACK-UP BATTERY SYSTEM
- INFRARED DETECTION SYSTEM TO RETRACT DOORS BEFORE HITTING AN OBSTRUCTION

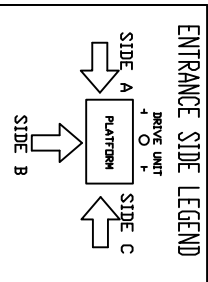
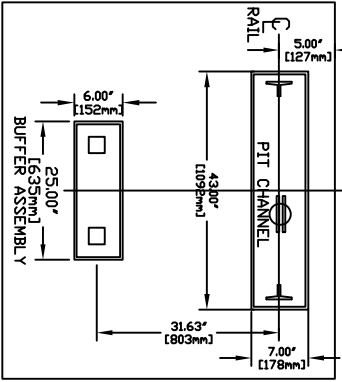


NOMINAL CLEAR INSIDE CAB WIDTH	NOMINAL CLEAR INSIDE CAB LENGTH	A FINISHED RUNWAY WIDTH		B FINISHED RUNWAY LENGTH		C RAIL CENTER LINE		D DOOR CENTER LINE			
		mm	Inches	mm	Inches	mm	Inches	mm	Inches		
1016	40	1219	48	1426	56 1/8	1454	57 1/4	730	28 3/4	851	33 1/2
1016	40	1372	54	1426	56 1/8	1607	63 1/4	806	31 3/4	851	33 1/2
1016	40	1524	60	1426	56 1/8	1759	69 1/4	883	34 3/4	851	33 1/2

DOCUMENT REVISION 001, DATE: 06/14/17

RESIDENTIAL ELEVATOR
INFINITY BIFOLD DOORS TYPE 1L-40

RAIL FORCES		R3 NOTE:	
*R1	*R2	PIT FLOOR TO SUPPORT LOAD OF:	5.6kips * (INCLUDES IMPACT)
304lbf.	194lbf.	FOR TOTAL PULL-OUT FORCE ON RAIL BRACKET, R1 MUST BE DOUBLED eg.	
RAIL WEIGHT: 8.0 lbs / ft			



ALL INFORMATION IS SUBJECT TO CHANGE.
PLEASE REFERENCE OUR ON-LINE DRAWINGS AT
WWW.SAVARIA.COM FOR THE MOST RECENT UPDATES