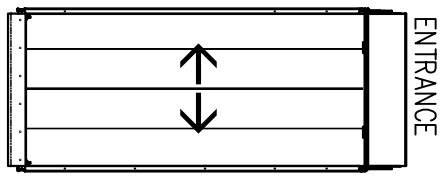
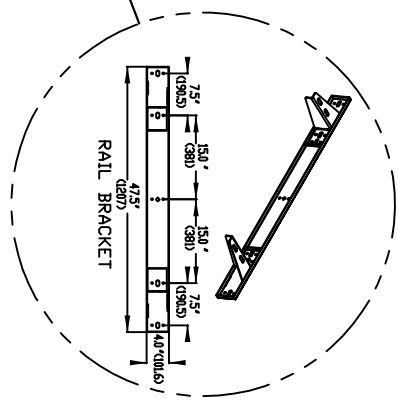
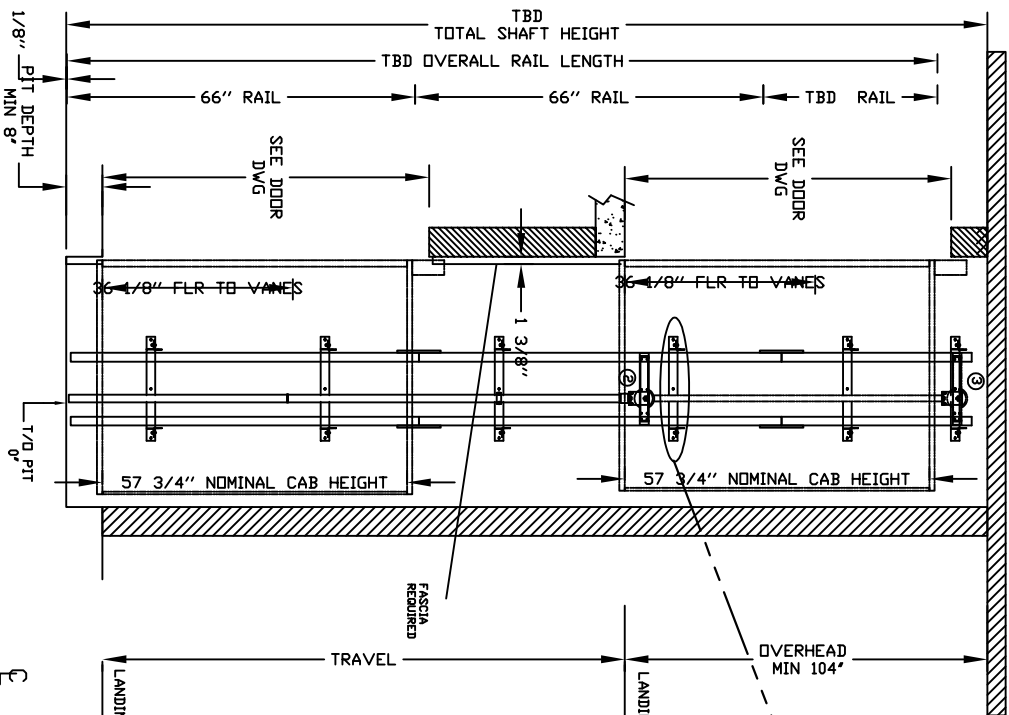
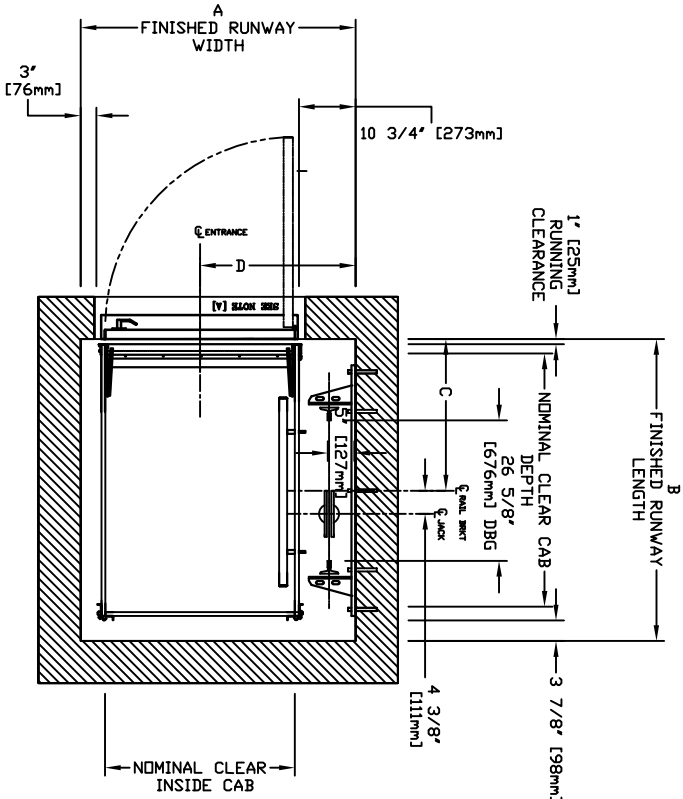


CHARACTERISTICS

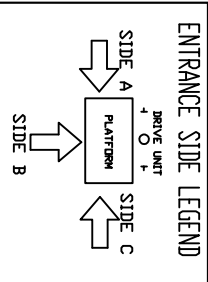
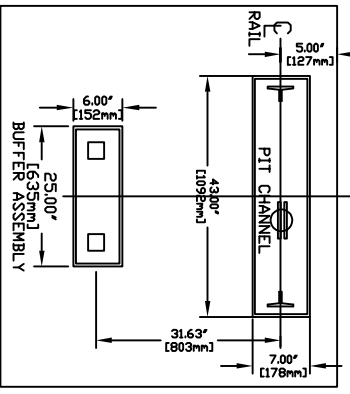
- CAB DOOR TYPE: AUTO SLIM 2 SPEED DOORS
- ENTRANCE DOOR TYPE: AUTO SLIM 2 SPEED DOORS
- 2 SPEED DOORS FINISH: PAINT OR STAINLESS STEEL
- FULLY AUTOMATIC OPERATION TO OPEN THE DOORS UPON ARRIVAL AT THE LANDING
- LIGHTWEIGHT ALUMINUM SILL
- EMERGENCY BACK-UP BATTERY SYSTEM
- INFRARED DETECTION SYSTEM TO RETRACT DOORS BEFORE HITTING AN OBSTRUCTION



NOMINAL CLEAR INSIDE CAB WIDTH	NOMINAL CLEAR INSIDE CAB LENGTH	A FINISHED RUNWAY WIDTH		B FINISHED RUNWAY LENGTH		C RAIL CENTER LINE		D DOOR CENTER LINE			
		mm	Inches	mm	Inches	mm	Inches	mm	Inches		
914	36	1219	48	1324	52 1/8	1454	57 1/4	730	28 3/4	749	29 1/2
914	36	1372	54	1324	52 1/8	1607	63 1/4	806	31 3/4	749	29 1/2
914	36	1524	60	1324	52 1/8	1759	69 1/4	883	34 3/4	749	29 1/2



RAIL FORCES		R3 NOTE:	
*R1	*R2	PIT FLOOR TO SUPPORT LOAD DF:	
304lbf.		5skips * (INCLUDES IMPACT)	
194lbf.		FOR TOTAL PULL-OUT FORCE ON RAIL BRACKET, R1 MUST BE DOUBLED eg.	
RAIL WEIGHT: 80 lbs / ft			



RESIDENTIAL ELEVATOR
INFINITY BIFOLD DOORS TYPE 1L

DOCUMENT REVISION 001, DATE: 06/13/17

ALL INFORMATION IS SUBJECT TO CHANGE. PLEASE REFERENCE OUR ON-LINE DRAWINGS AT WWW.SAVARIA.COM FOR THE MOST RECENT UPDATES

