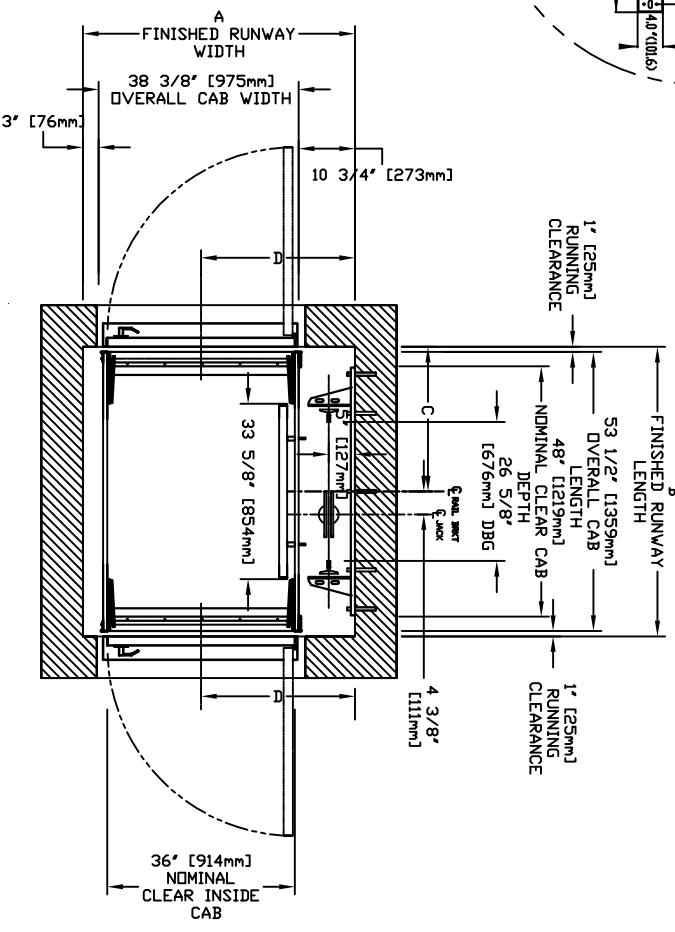
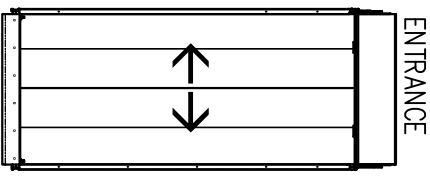
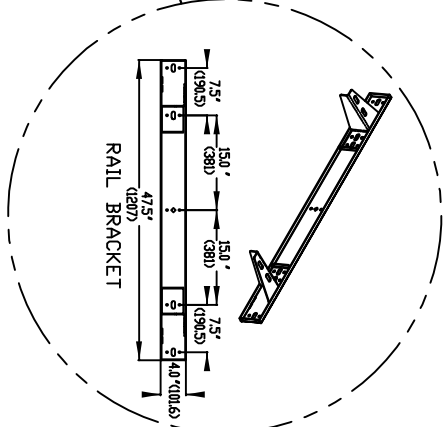
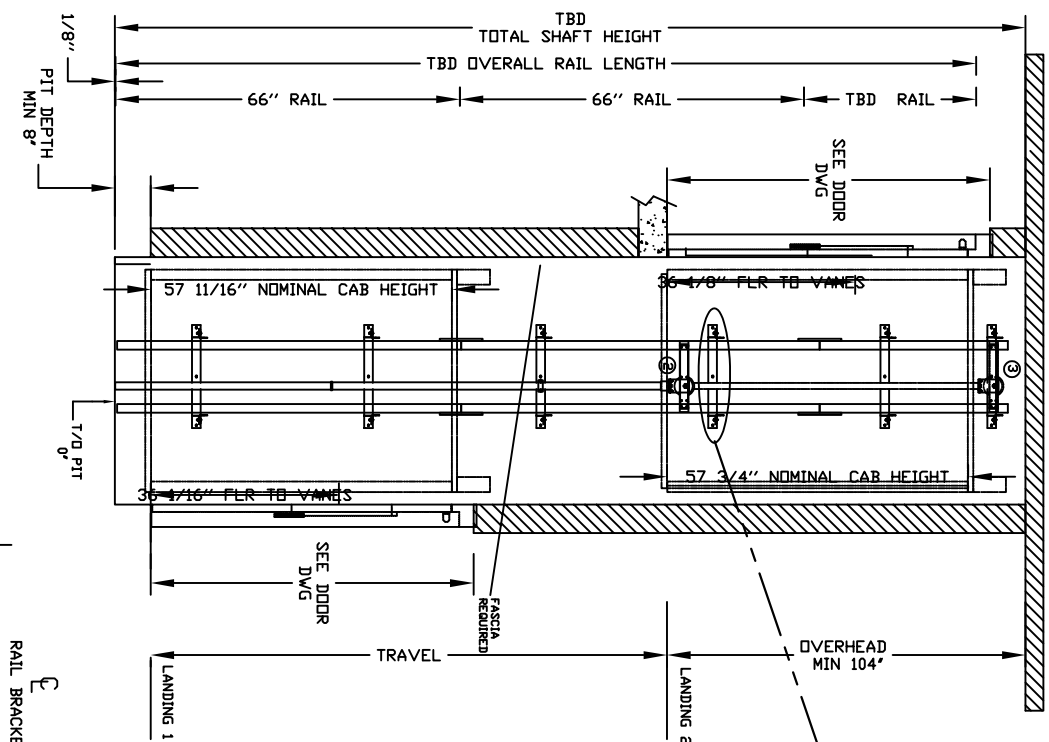


CHARACTERISTICS

- CAB DOOR TYPE: AUTO SLIM 2 SPEED DOORS
- ENTRANCE DOOR TYPE: AUTO SLIM 2 SPEED DOORS
- 2 SPEED DOORS FINISH: PAINT OR STAINLESS STEEL
- FULLY AUTOMATIC OPERATION TO OPEN THE DOORS UPON ARRIVAL AT THE LANDING
- LIGHTWEIGHT ALUMINUM SILL
- EMERGENCY BACK-UP BATTERY SYSTEM
- INFRARED DETECTION SYSTEM TO RETRACT DOORS BEFORE HITTING AN OBSTRUCTION

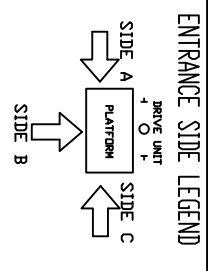
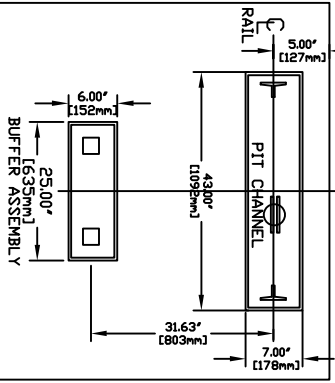


NOMINAL CLEAR INSIDE CAB WIDTH	NOMINAL CLEAR INSIDE CAB LENGTH	A FINISHED RUNWAY WIDTH		B FINISHED RUNWAY LENGTH		C RAIL CENTER LINE		D DOOR CENTER LINE	
		mm	Inches	mm	Inches	mm	Inches	mm	Inches
914	36	1219	48	1410	55 1/2	705	27 3/4	749	29 1/2
914	36	1372	54	1324	52 1/8	1562	61 1/2	781	30 3/4
914	36	1524	60	1324	52 1/8	1715	67 1/2	857	33 3/4

DOCUMENT REVISION 001, DATE: 06/27/17

RESIDENTIAL ELEVATOR
INFINITY BIFOLD DOORS TYPE 2

RAIL FORCES		R3 NOTE:	
*R1	3041bf.	PIT FLOOR TO SUPPORT LOAD DF:	5skips * (INCLUDES IMPACT)
*R2	1941bf.	FOR TOTAL PULL-OUT FORCE ON RAIL BRACKET,	R1 MUST BE DOUBLED *P
RAIL WEIGHT: 80 lbs / ft			



ALL INFORMATION IS SUBJECT TO CHANGE.
PLEASE REFERENCE OUR ON-LINE DRAWINGS AT
WWW.SAVARIA.COM FOR THE MOST RECENT UPDATES