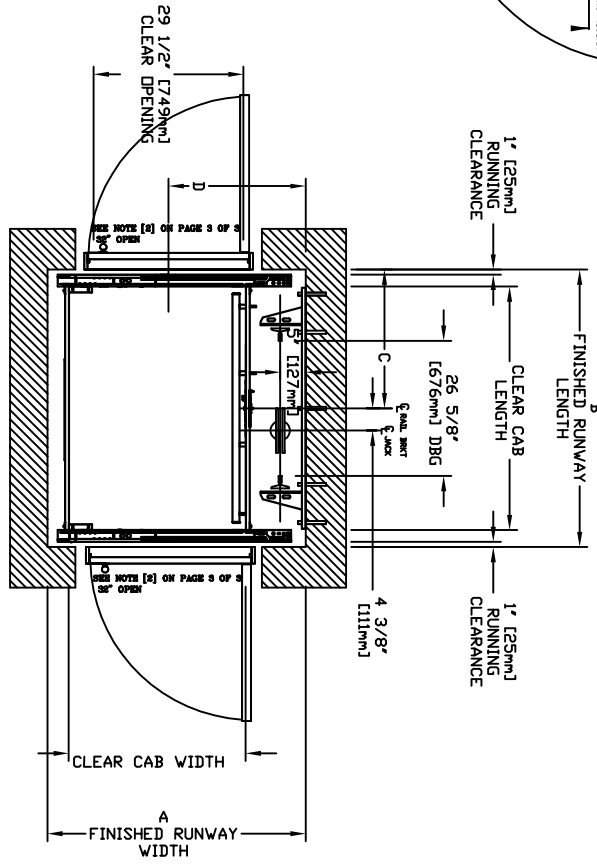
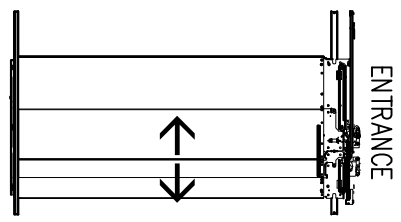
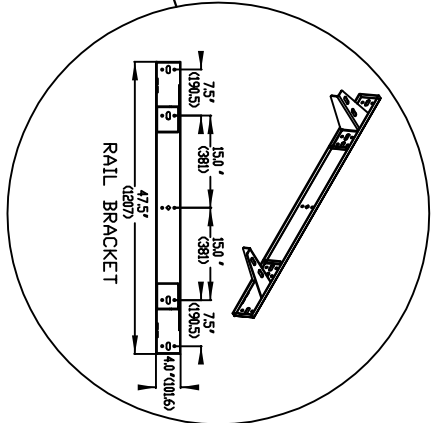
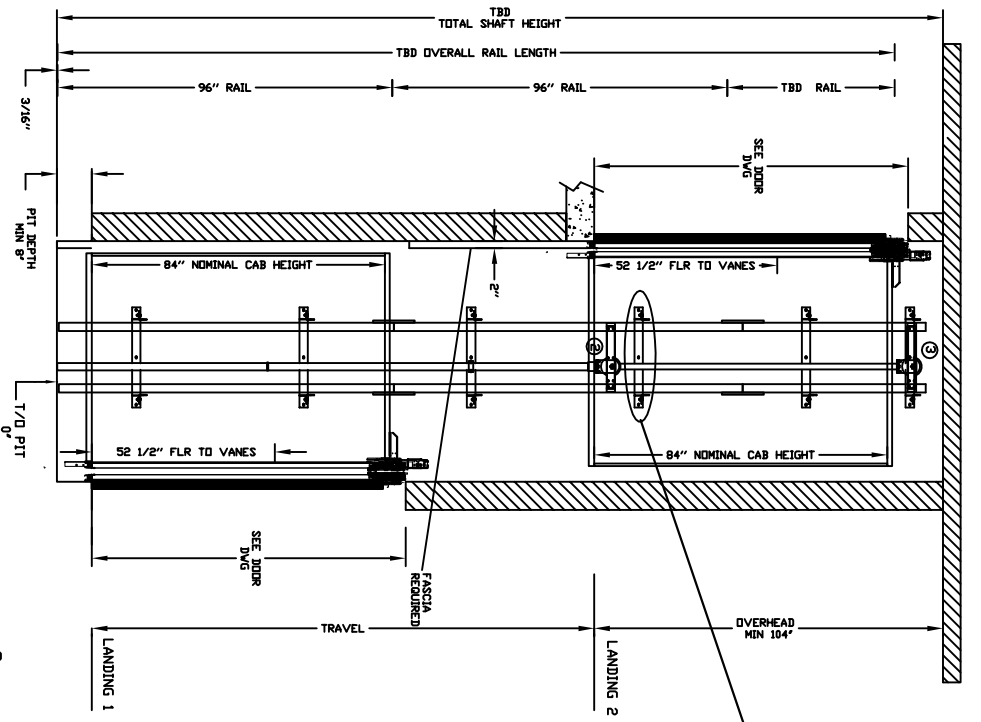


CHARACTERISTICS

- CAB DOOR TYPE: AUTO SLIM 2 SPEED DOORS
- ENTRANCE DOOR TYPE: AUTO SLIM 2 SPEED DOORS
- 2 SPEED DOORS FINISH: PAINT OR STAINLESS STEEL
- FULLY AUTOMATIC OPERATION TO OPEN THE DOORS UPON ARRIVAL AT THE LANDING
- LIGHTWEIGHT ALUMINIUM SILL
- EMERGENCY BACK-UP BATTERY SYSTEM
- INFRARED DETECTION SYSTEM TO RETRACT DOORS BEFORE HITTING AN OBSTRUCTION



| CLEAR INSIDE CAB WIDTH | CLEAR INSIDE CAB LENGTH | A | | B | | C | | D | |
|------------------------|-------------------------|-----------------------|------------------------|------------------------|-------------------------|------------------|------------------|-----------------------|------------------------|
| | | FINISHED RUNWAY WIDTH | FINISHED RUNWAY LENGTH | FINISHED RUNWAY LENGTH | CLEAR INSIDE CAB LENGTH | RAIL CENTER LINE | DOOR CENTER LINE | FINISHED RUNWAY WIDTH | FINISHED RUNWAY LENGTH |
| mm | mm | mm | mm | mm | mm | mm | mm | mm | mm |
| Inches | Inches | Inches | Inches | Inches | Inches | Inches | Inches | Inches | Inches |
| 886 | 1219 | 48 | 1292 | 50 7/8 | 1387 | 54 5/8 | 694 | 27 5/16 | 686 |
| 886 | 1372 | 54 | 1292 | 50 7/8 | 1540 | 60 5/8 | 770 | 30 5/16 | 686 |
| 886 | 1524 | 60 | 1292 | 50 7/8 | 1692 | 66 5/8 | 846 | 33 5/16 | 686 |

DOCUMENT REVISION 001, DATE: 03/28/17

RESIDENTIAL ELEVATOR INFINITY SLIMS DOORS TYPE 2-29 1/2"-SWING

| RAIL FORCES | | R3 NOTE: | |
|--|---------|------------------------------|--------|
| *R1 | 304lbf. | PT FLOOR TO SUPPORT LOAD DF: | 56kips |
| *R2 | 194lbf. | * (INCLUDES IMPACT) | |
| FOR TOTAL PULL-OUT FORCE ON RAIL BRACKET, R1 MUST BE DOUBLED ☞ | | | |
| RAIL WEIGHT: 80 lbs / ft | | | |

