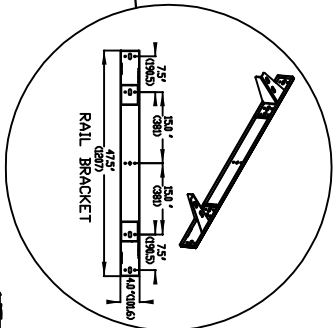
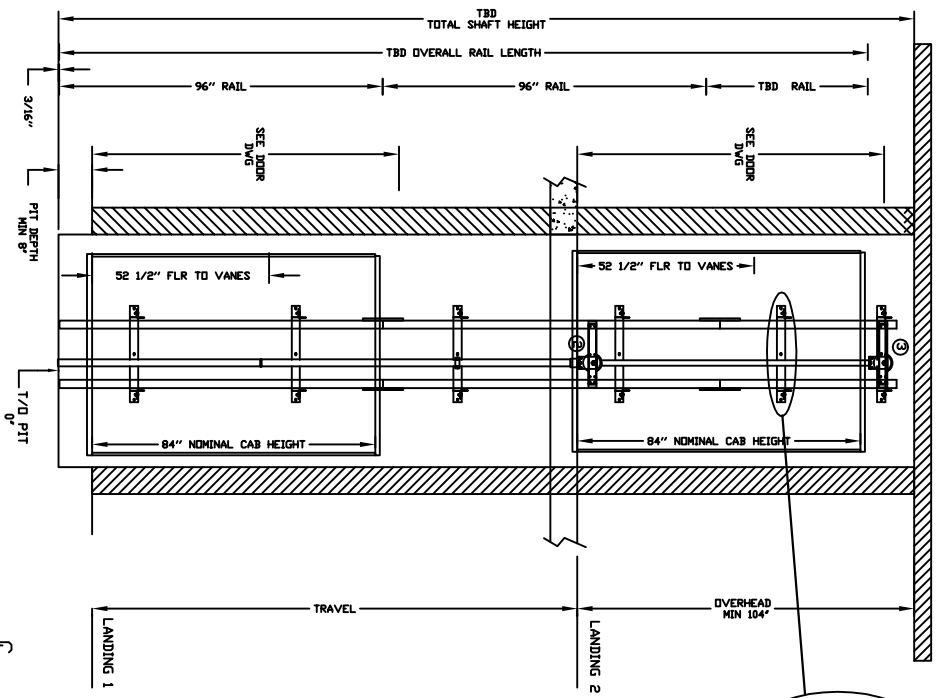
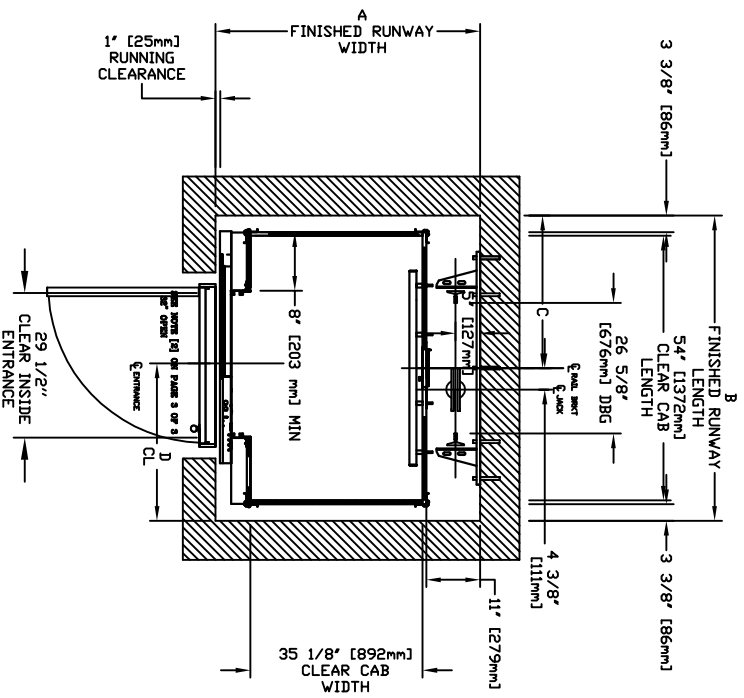
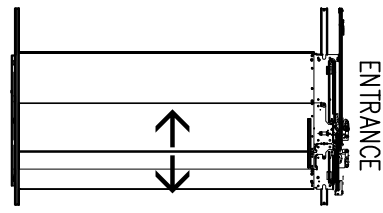


INFINITY AUTO SLIM DOORS Model TYPE 5-29 1/2"-SLIM



CHARACTERISTICS

- CAB DOOR TYPE: AUTO SLIM 2 SPEED DOORS
- ENTRANCE DOOR TYPE: AUTO SLIM 2 SPEED DOORS
- 2 SPEED DOORS FINISH: PAINT OR STAINLESS STEEL
- FULLY AUTOMATIC OPERATION TO OPEN THE DOORS UPON ARRIVAL AT THE LANDING LIGHTWEIGHT ALUMINUM SILL
- EMERGENCY BACK-UP BATTERY SYSTEM
- INFRARED DETECTION SYSTEM TO RETRACT DOORS BEFORE HITTING AN OBSTRUCTION



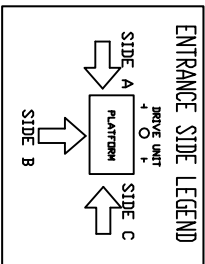
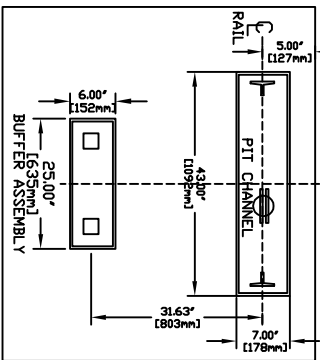
CLEAR INSIDE CAB WIDTH	CLEAR INSIDE CAB LENGTH	A FINISHED RUNWAY WIDTH		B FINISHED RUNWAY LENGTH		C RAIL CENTER LINE		D DOOR CENTER LINE			
		mm	Inches	mm	Inches	mm	Inches	mm	Inches		
892	35 1/8	1219	48	1372	54	1429	56 1/4	714	28 1/8	664	26 1/8
892	35 1/8	1372	54	1372	54	1581	62 1/4	791	31 1/8	816	32 1/8
892	35 1/8	1461	57 1/2	1372	54	1670	66 3/4	835	32 7/8	905	35 5/8

DOCUMENT REVISION 001 DATE: 06/12/17

RESIDENTIAL ELEVATOR

INFINITY SLIMS DOORS TYPE 5-29 1/2"-SLIM

RAIL FORCES		R3 NOTE:	
* R1	* R2	PIT FLOOR TO SUPPORT LOAD OF:	5skips * (EXCLUDES IMPACT)
3040lb	1940lb	FOR TOTAL PULL-OUT FORCE ON RAIL BRACKET,	R1 MUST BE DOUBLED ☞
RAIL WEIGHT: 80 LBS / FT			



ALL INFORMATION IS SUBJECT TO CHANGE. PLEASE REFERENCE OUR ON-LINE DRAWINGS AT www.savaria.com FOR THE MOST RECENT UPDATES



THE INFORMATION DISCLOSED HEREIN IS THE EXCLUSIVE PROPERTY OF SAVARIA. ANY WAY NOT BE USED BY OTHERS WITHOUT PRIOR WRITTEN CONSENT.