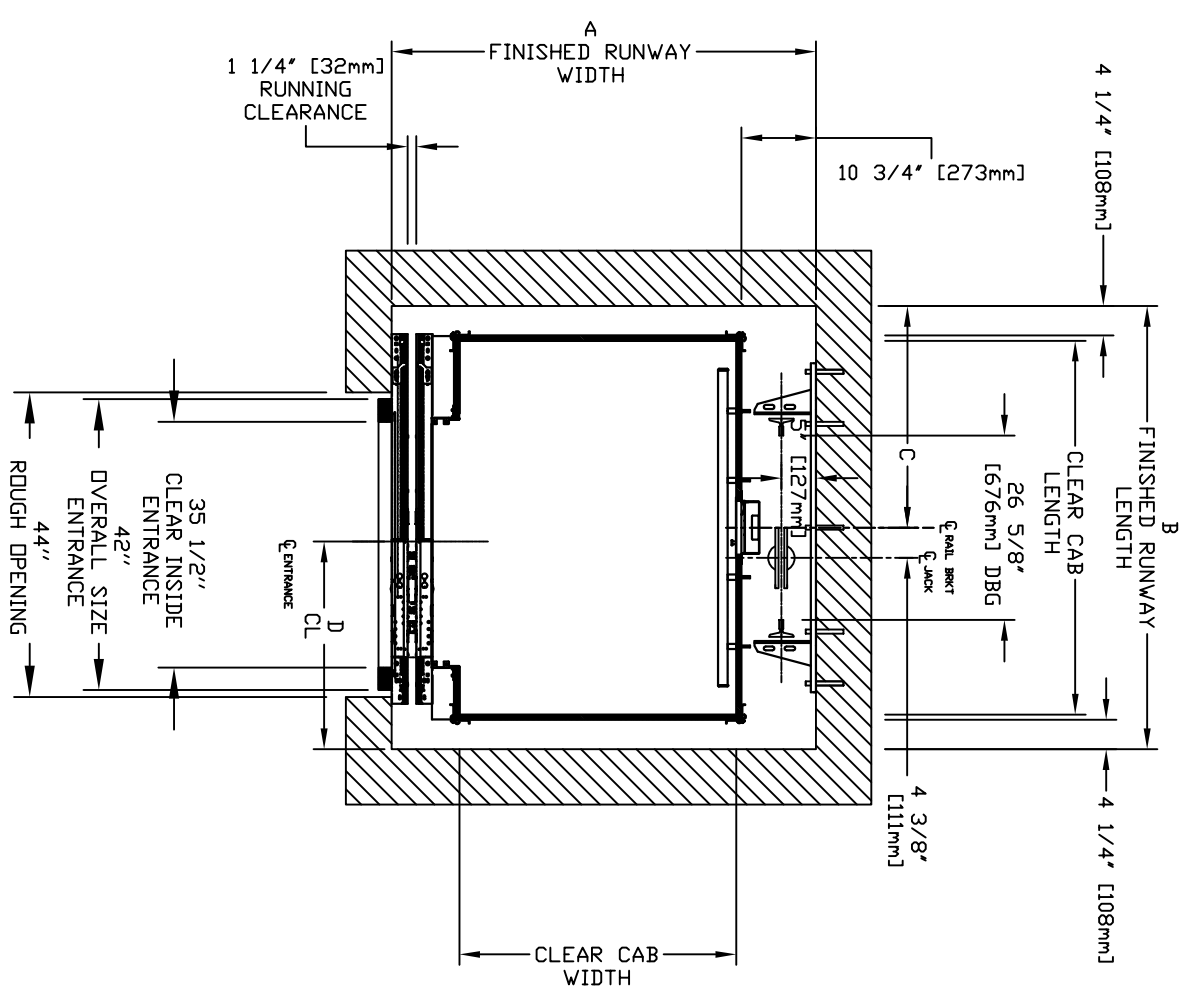
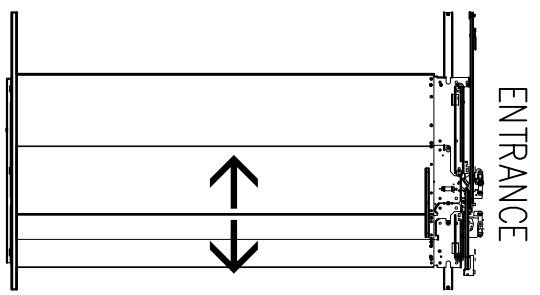
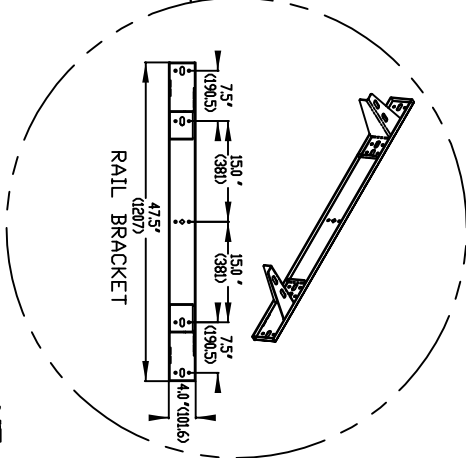
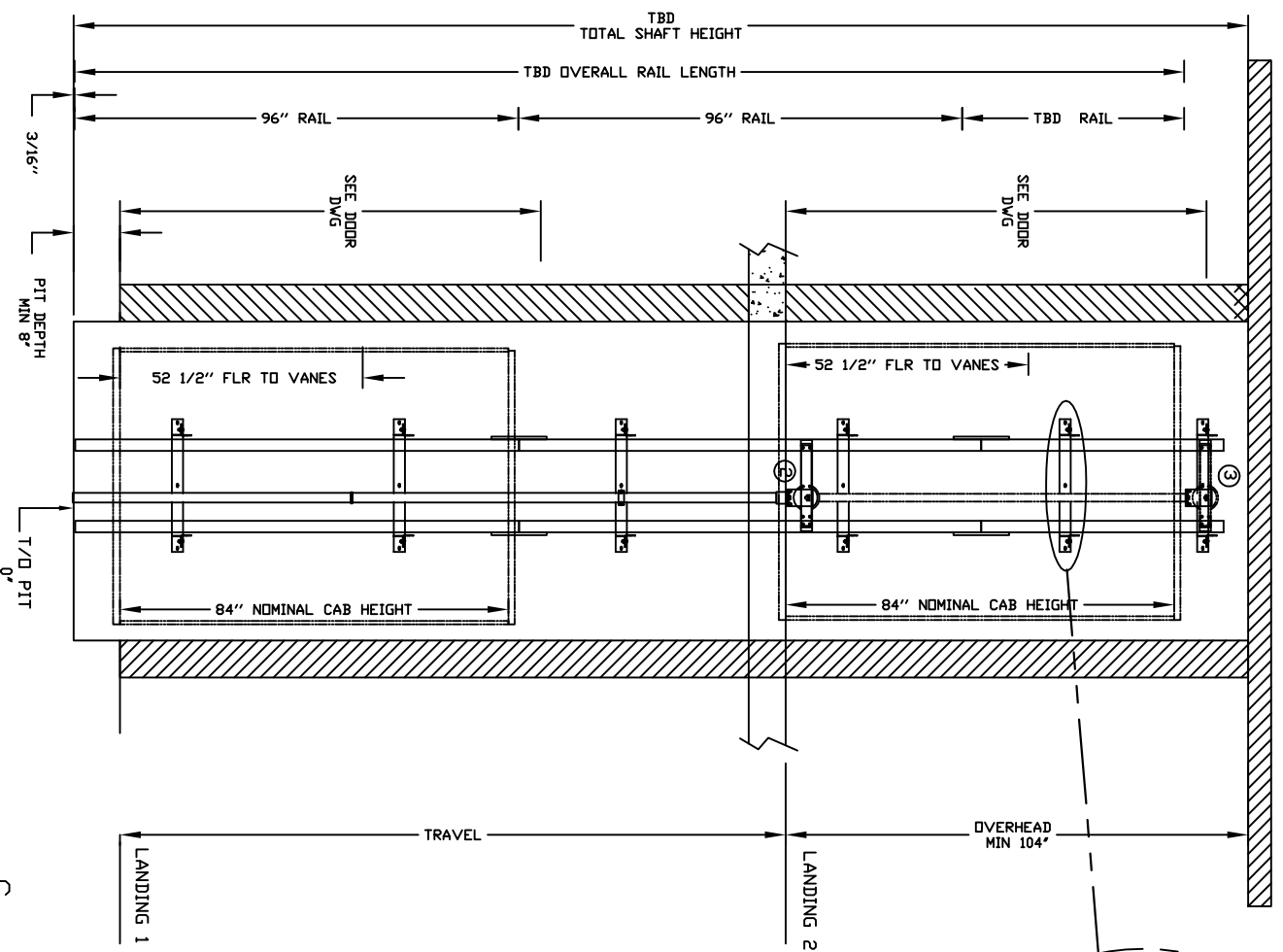


INFINITY AUTO SLIM DOORS Model TYPE 5

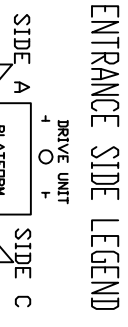


CHARACTERISTICS

- CAB DOOR TYPE: AUTO SLIM 2 SPEED DOORS
- ENTRANCE DOOR TYPE: AUTO SLIM 2 SPEED DOORS
- 2 SPEED DOORS FINISH: PAINT OR STAINLESS STEEL
- FULLY AUTOMATIC OPERATION TO OPEN THE DOORS UPON ARRIVAL AT THE LANDING LIGHTWEIGHT ALUMINUM SILL
- EMERGENCY BACK-UP BATTERY SYSTEM
- INFRARED DETECTION SYSTEM TO RETRACT DOORS BEFORE HITTING AN OBSTRUCTION

HD	CLEAR INSIDE CAB WIDTH		CLEAR INSIDE CAB LENGTH		A FINISHED RUNWAY WIDTH		B FINISHED RUNWAY LENGTH		C RAIL CENTER LINE		D DOOR CENTER LINE	
	mm	Inches	mm	Inches	mm	Inches	mm	Inches	mm	Inches	mm	Inches
914	36	1372	54	1454	57 1/4	1626	64	813	32	762	30	30
914	36	1524	60	1454	57 1/4	1778	70	889	35	762	30	30
1016	40	1372	54	1556	61 1/4	1626	64	813	32	762	30	30
1219	48	1524	60	1759	69 1/4	1778	70	889	35	889	35	35

DOCUMENT REVISION 001, DATE: 11/18/10



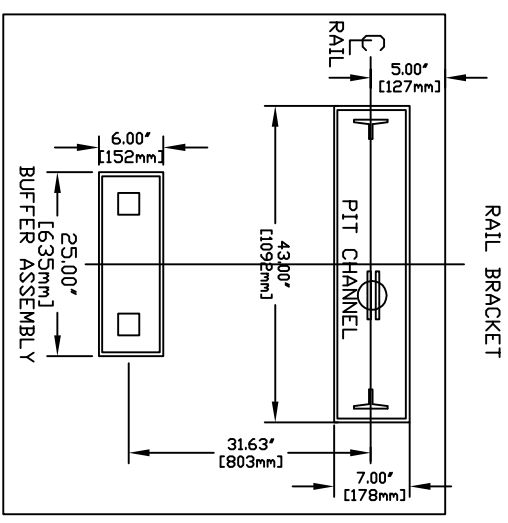
RESIDENTIAL ELEVATOR INFINITY SLIMS DOORS TYPE 5

RAIL FORCES

*R1	*R2
304lbf.	194lbf.

RAIL WEIGHT : 80 lbs / ft

R3 NOTE:
PIT FLOOR TO SUPPORT LOAD OF: 5skips * (INCLUDES IMPACT)
FOR TOTAL PULL-OUT FORCE ON RAIL BRACKET, R1 MUST BE DOUBLED eg.



ALL INFORMATION IS SUBJECT TO CHANGE. PLEASE REFERENCE OUR ON-LINE DRAWINGS AT www.savaria.com FOR THE MOST RECENT UPDATES

