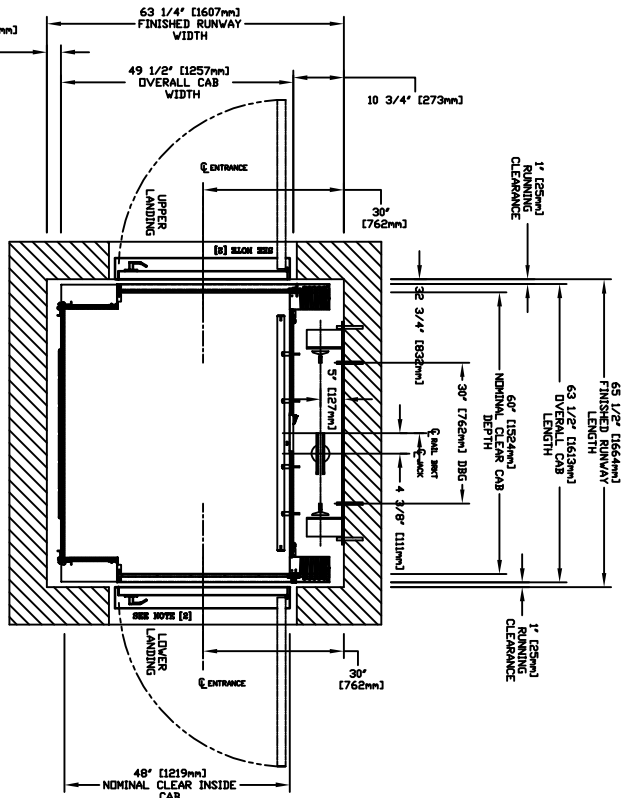


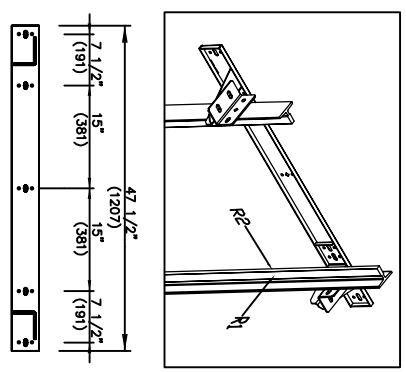
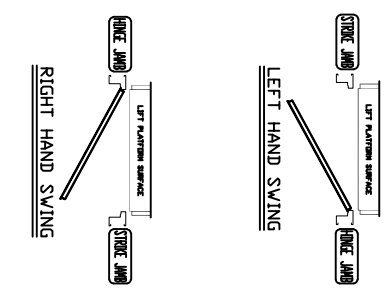
TOP RAIL BRACKET ③	AT TOP OF HOISTWAY CONSULT YOUR CONCORD REPRESENTATIVE FOR EXACT LOCATION
INTERMEDIATE RAIL BRACKET ②	48" INTERVALS ABOVE BOTTOM BRACKET
BOTTOM RAIL BRACKET ①	24" ABOVE PIT FLOOR



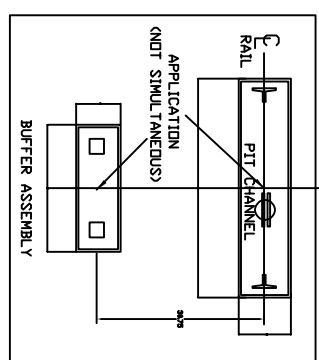
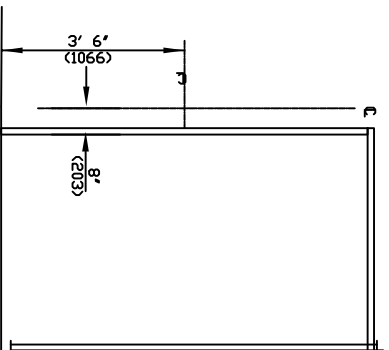
FLOOR No.	FLOOR HEIGHT
REAR FRONT	
TOTAL RISE	

PIT / OVERHEAD REQUIREMENTS			
MAX SPEED (ft./min)	MIN.	TOTAL TRAVEL	MINIMUM OVERHEAD
30	12" ***		92" (2337)

*** NOTE: Additional pit equipment required when over 36" deep, consult your local dealer for details



RAIL FORCES		PIT FLOOR TO SUPPORT LOAD OF: 825kips * (INCLUDES IMPACT)	
* R1	* R2	FOR TOTAL PULL-OUT FORCE ON RAIL BRACKET, RE MUST BE DOUBLED eg. 844LBF.	
422lbf.	251lbf.	FOR LOCAL APPLICATION OF PIT LOAD, SEE PIT CHANNEL/BUFFER SKETCH.	
RAIL WEIGHT: 80 lbs / ft			



DOCUMENT REVISION #002, DATE: 01/10/18

RESIDENTIAL ELEVATOR
INFINITY HD MODEL 4860

CUSTOMER:	DATE:	
PROJECT:	DESIGN NAME:	
LOCATION:	COMPLETED BY:	SHEET NO.