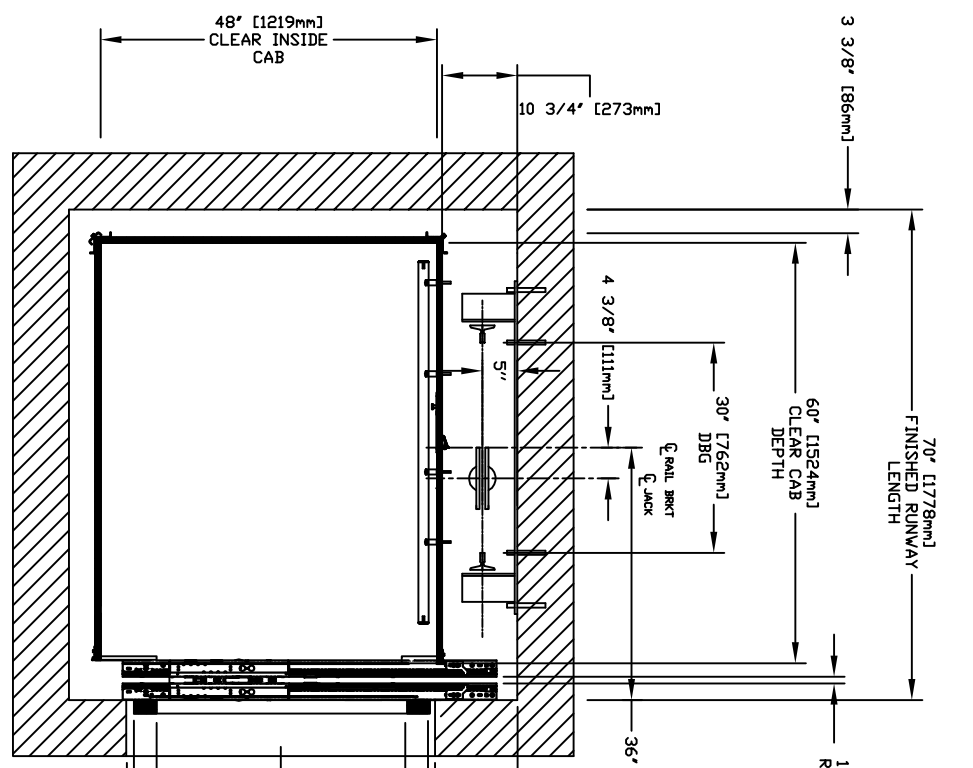


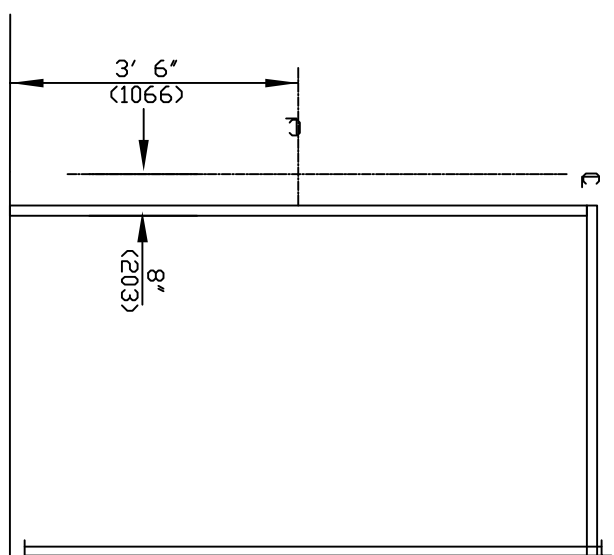
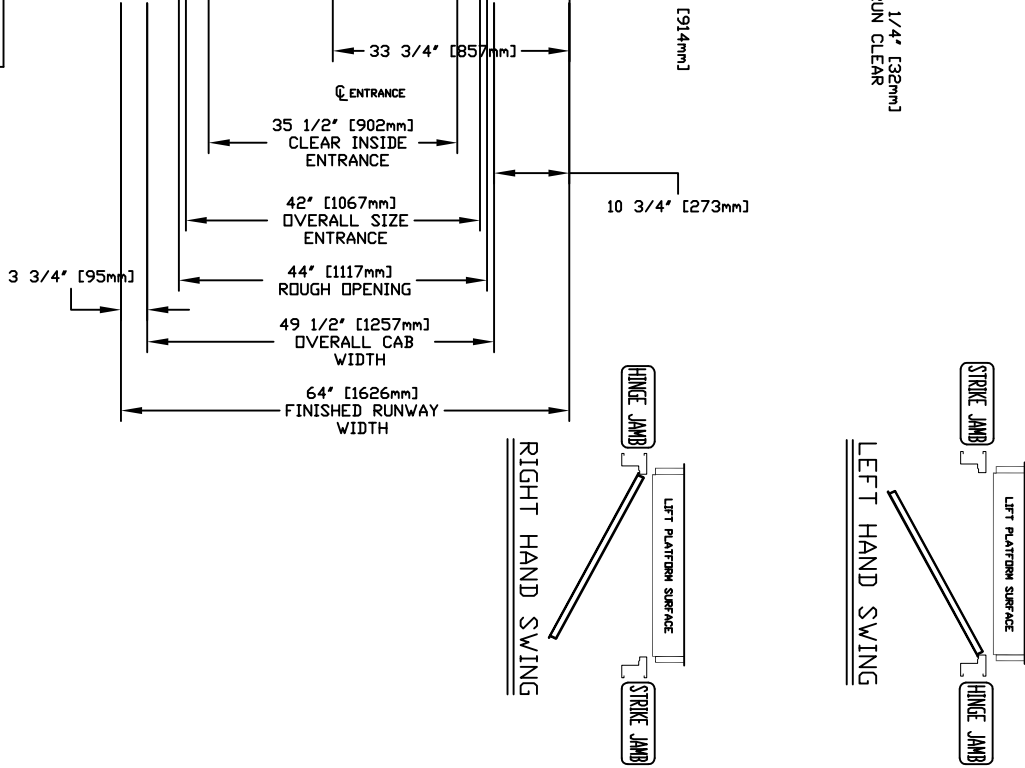
TOP RAIL BRACKET (3)	AT TOP OF HOISTWAY CONSULT YOUR CONCORD REPRESENTATIVE FOR EXACT LOCATION
INTERMEDIATE RAIL BRACKET (2)	48" INTERVALS ABOVE BOTTOM BRACKET
BOTTOM RAIL BRACKET (1)	24" ABOVE PIT FLOOR



PIT / OVERHEAD REQUIREMENTS			
MAX. SPEED (ft./min)	MIN. PIT	TOTAL TRAVEL OVERHEAD	MINIMUM OVERHEAD
30	12" ***	104" (2642)	104" (2642)

*** NOTE: Additional pit equipment required when over 36" deep, consult your local dealer for details

FLOOR No.	FLOOR HEIGHT
REAR	FRONT
TOTAL RISE	



HALL FIXTURE LOCATION
LEFT HAND AS SHOWN
RIGHT HAND OPPOSITE
I. HALL BUTTON AT ALL FLOORS

RAIL FORCES		R3 NOTE:	
* R1	* R2	PIT FLOOR TO SUPPORT LOAD OF: 8.22kips * (INCLUDES IMPACT)	
422lb.f.	251lb.f.	FOR TOTAL PULL-OUT FORCE ON RAIL BRACKET, R1 MUST BE DOUBLED eg. 844LB.F.	
RAIL WEIGHT : 80 lbs / ft		FOR LOCAL APPLICATION OF PIT LOAD, SEE PIT CHANNEL/BUFFER SKETCH.	

