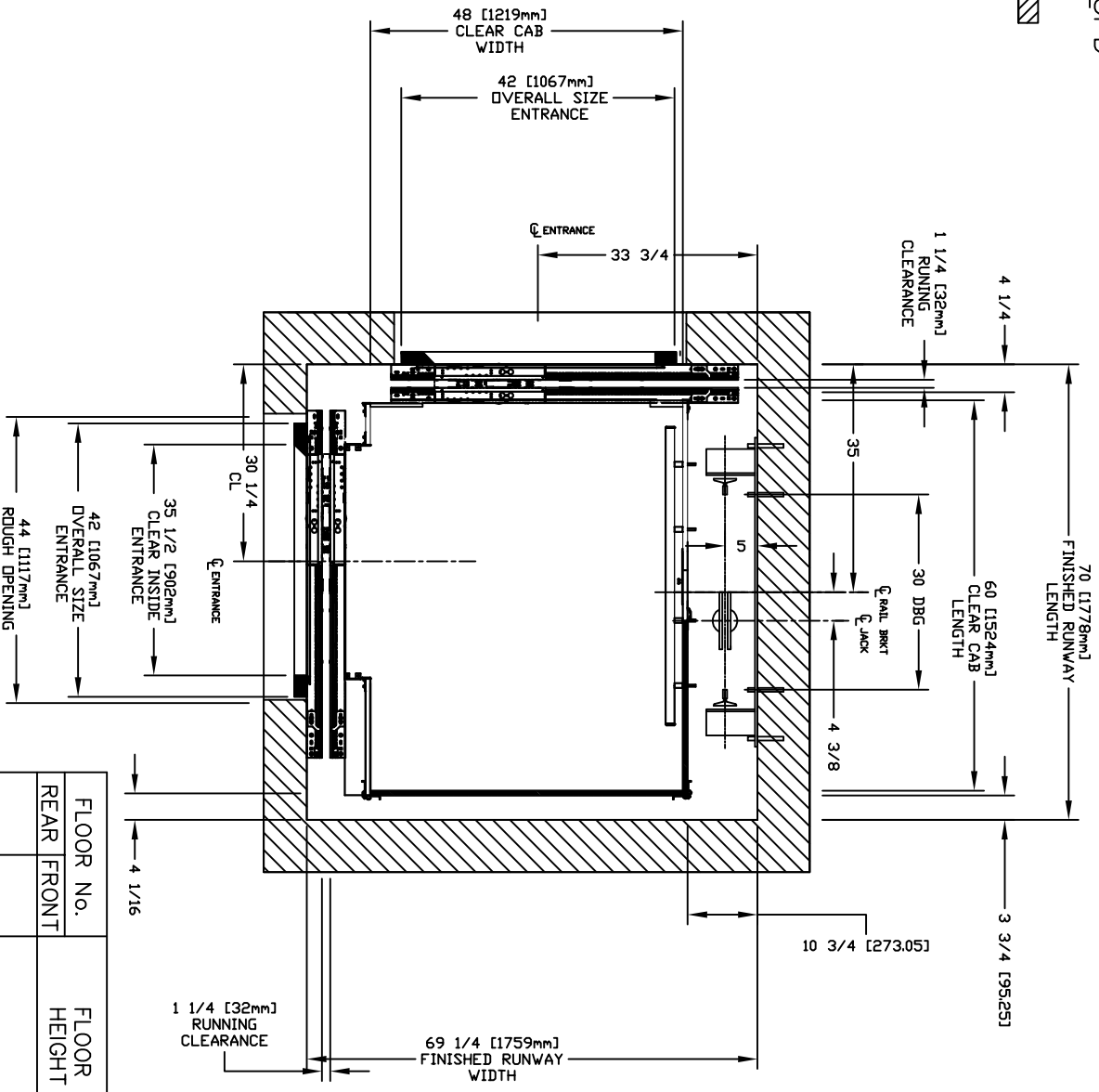


DOCUMENT REVISION #001, DATE: 01/10/18

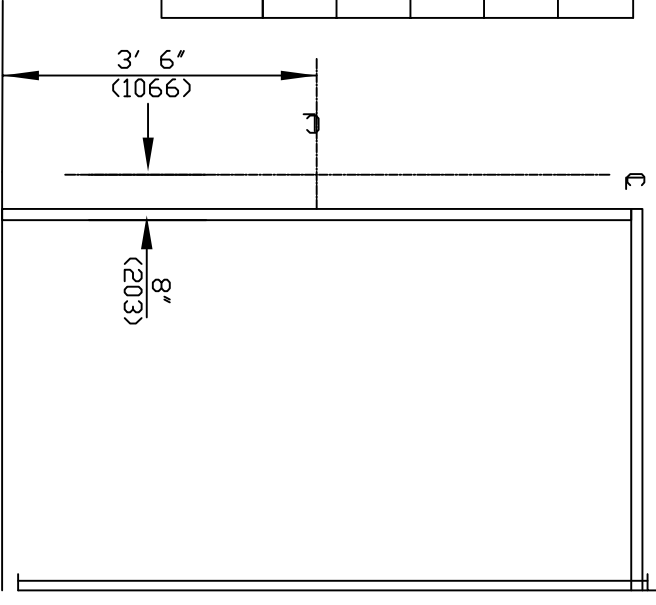
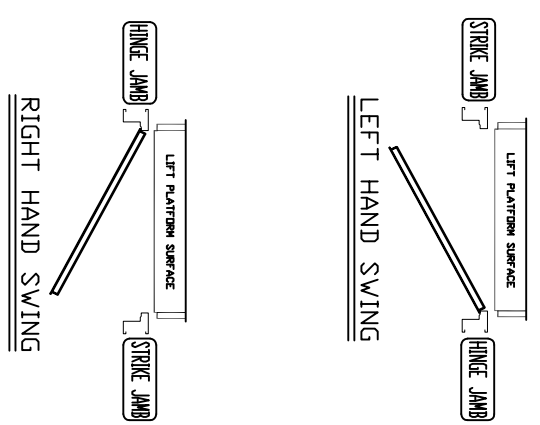


TOP RAIL BRACKET (3)	AT TOP OF HOISTWAY CONSULT YOUR REPRESENTATIVE FOR EXACT LOCATION
INTERMEDIATE RAIL BRACKET (2)	48" INTERVALS ABOVE BOTTOM BRACKET
BOTTOM RAIL BRACKET (1)	24" ABOVE PIT FLOOR

MAX. SPEED (ft/min)	MIN. PIT	TOTAL TRAVEL	MINIMUM OVERHEAD
30	12" ***		104" (2642)

*** NOTE: Additional pit equipment required when over 36" deep, consult your local dealer for details

FLOOR No.	REAR	FRONT	FLOOR HEIGHT
TOTAL RISE			

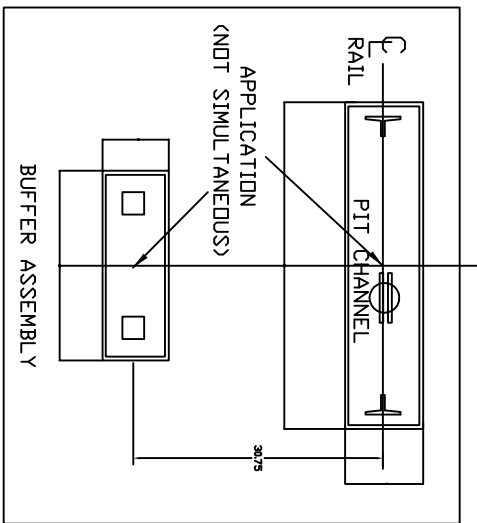
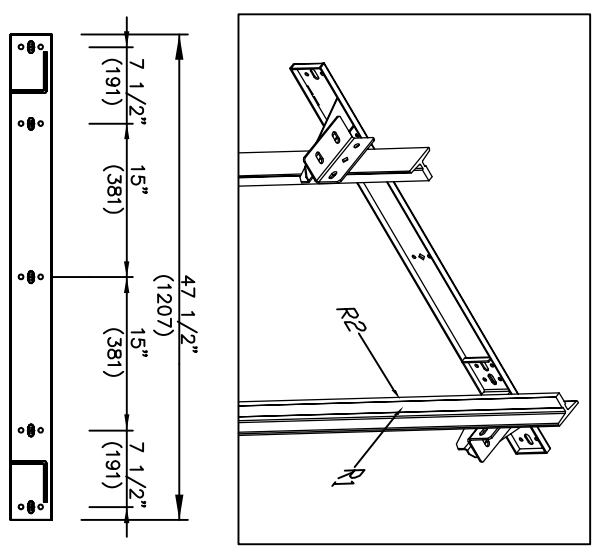


HALL FIXTURE LOCATION
LEFT HAND AS SHOWN
RIGHT HAND OPPOSITE
1. HALL BUTTON AT ALL FLOORS

* R1	* R2
4221bf.	2511bf.
RAIL WEIGHT : 80 lbs / ft	

FOR TOTAL PULL-OUT FORCE ON RAIL BRACKET, R1 MUST BE DOUBLED eg. 844LBF.
FOR LOCAL APPLICATION OF PIT LOAD, SEE PIT CHANNEL/BUFFER SKETCH.

RAIL BRACKET



RESIDENTIAL ELEVATOR
INFINITY HD MODEL 4860 2SPD

CUSTOMER: _____ DATE: _____
 PROJECT: _____ REVISION DATE: _____
 LOCATION: _____ COMPLETED BY: _____
 JOB NO. **savaria** SHEET NO. _____