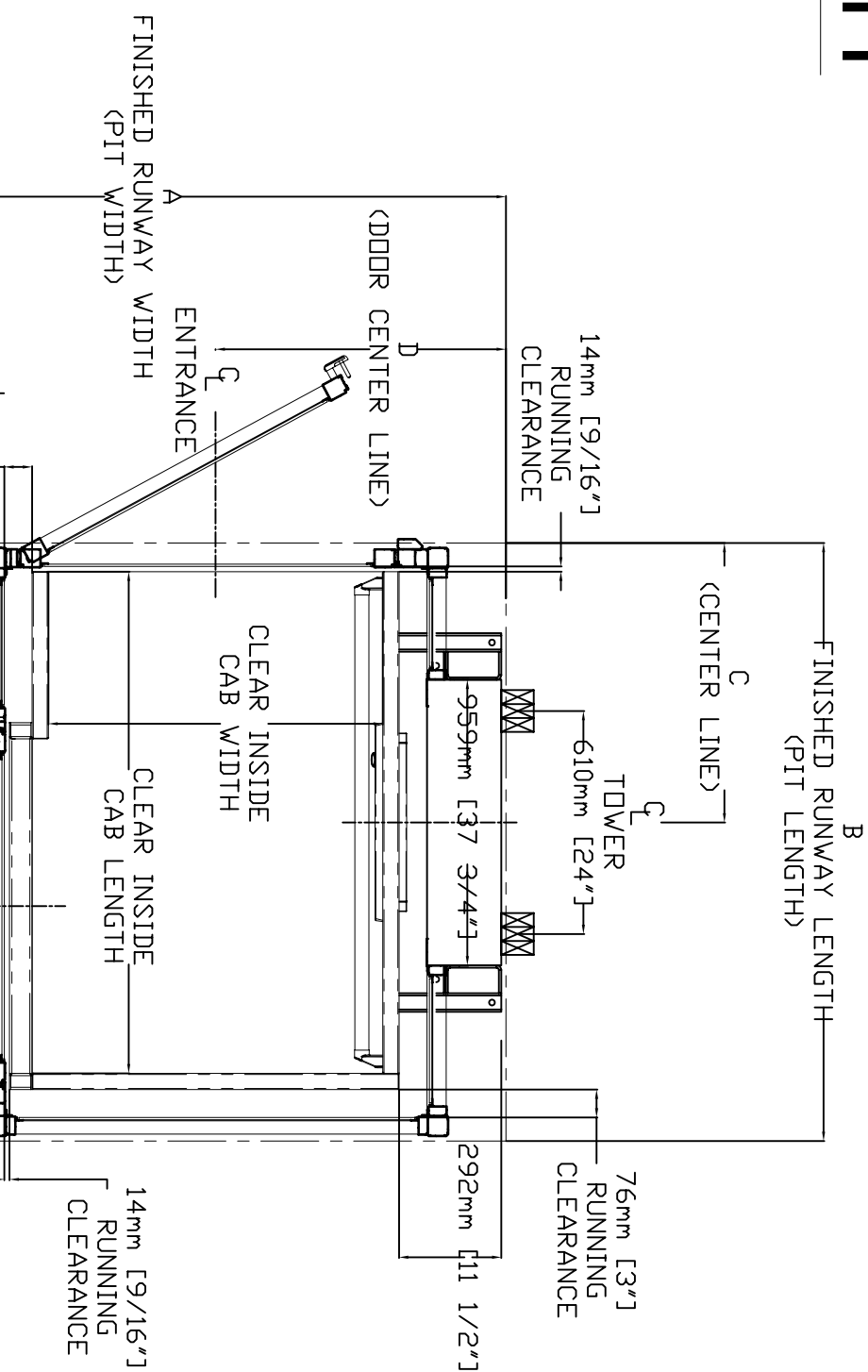


TABLE 1 - MAST HEIGHT

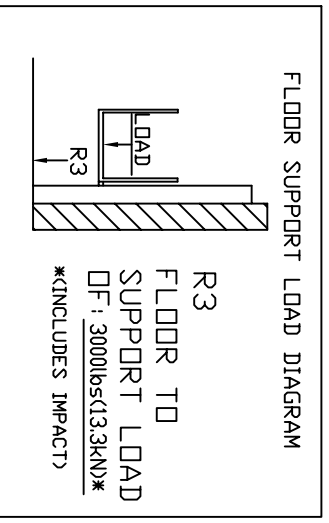
TRAVEL	TOWER HEIGHT	MIN ENCLOSURE HEIGHT
mm (Inches)	mm	Inches
1219 (48")	2032	80
1829 (72")	2642	104
		2896
		114

TABLE 2 - ENCLOSURE DIMENSION

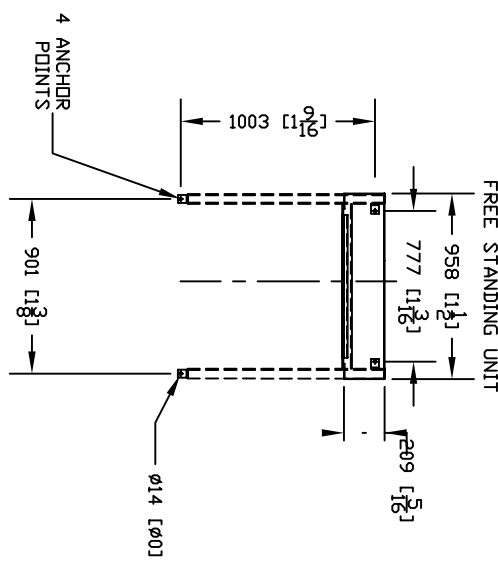
CLEAR INSIDE CAB WIDTH	CLEAR INSIDE CAB LENGTH		A FINISHED RUNWAY WIDTH		B FINISHED RUNWAY LENGTH		C TOWER CENTER LINE		D DOOR CENTER LINE (IN CASE OF 36" DOOR)		
	mm	Inches	mm	Inches	mm	Inches	mm	Inches	mm	Inches	
914	36	1219	48	1449	57 1/16	1483	58 3/8	687	27 1/16	806	31 3/4
914	36	1372	54	1449	57 1/16	1635	64 3/8	764	30 1/16	806	31 3/4
914	36	1524	60	1449	57 1/16	1788	70 3/8	840	33 1/16	806	31 3/4



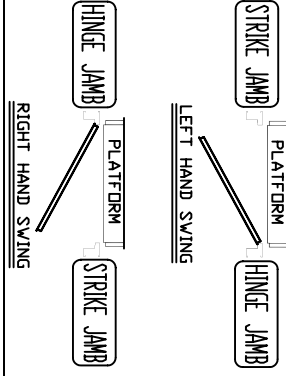
FORCES



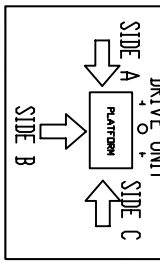
ANCHOR POINTS



DOOR SWING



ENTRANCE SIDE LEGEND



THE INFORMATION DISCLOSED HEREIN IS THE EXCLUSIVE PROPERTY OF **savarria**™

AND MAY NOT BE USED BY OTHERS WITHOUT PRIOR WRITTEN CONSENT.

CUSTOMER: _____ DATE: 11/22/2011 REVISION: 000

PROJECT: _____ SCALE: 1:1 11/22/2011

LOCATION: _____ DRAFTER: PHILLIP TRAN SHEET 1 OF 1

TITLE: MULTILIFT TYPE - 4 DRAWING NO: MULTILIFT PLUS ENCLOSURE