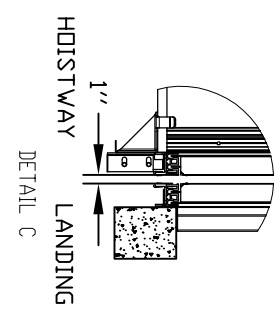
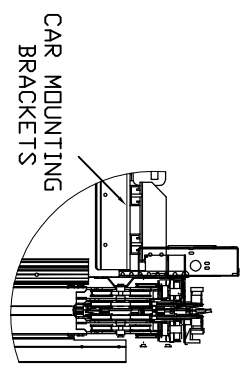
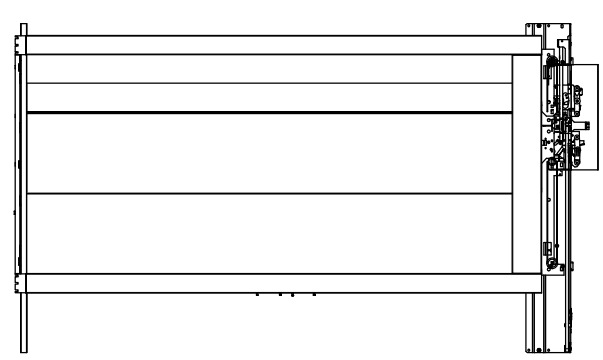
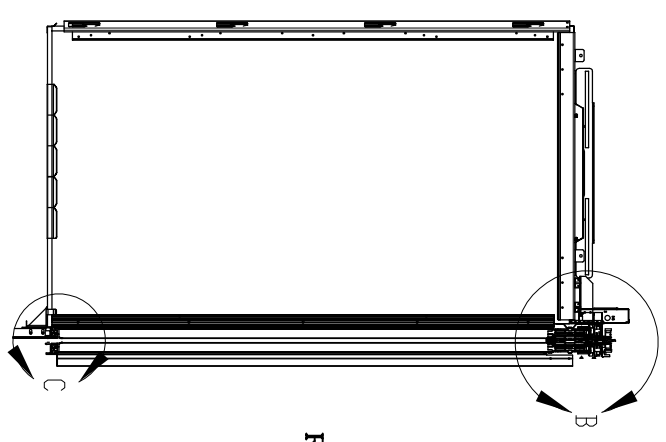


RH  
RVU  
RVU  
ENTRANCE LOADS ON BUILDING  
RH = 2500 N (562 lbf)  
RVU = 775 N (175 lbf)  
RVU = 500 N (112 lbf)



OVERHEAD REQUIRED = 100"



NOTE: ENTRANCE FRAME ASSEMBLY IS NOT DESIGN TO BEAR OVERHEAD LOADS. CONTRACTOR TO PROVIDE ADEQUATE WALL STRUCTURE SUPPORT.

REV 1

H84"  
29 1/2" SLIM DOOR

SLIM DOORS  
2100

CUSTOMER:	DATE:	Part No.
PROJECT:	06/16/20	Variant No.
ADDRESS:	REVISION DATE:	
	COMPLETED BY:	
		JOB No.
		SHEET No.
		1 OF 1