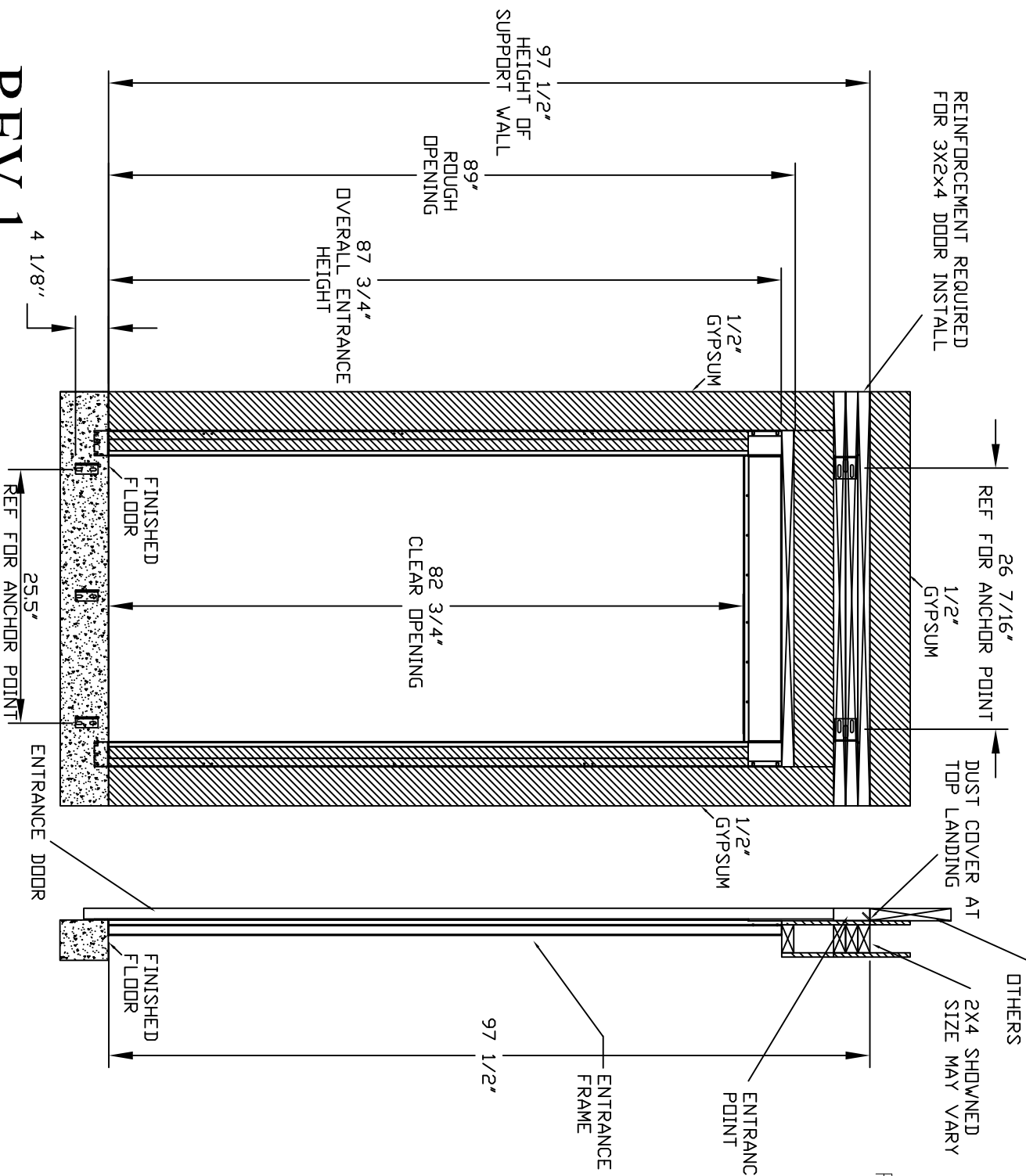
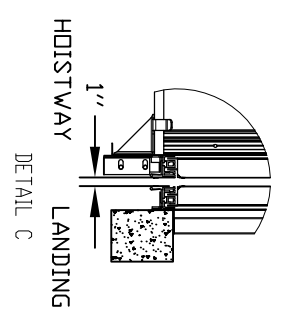
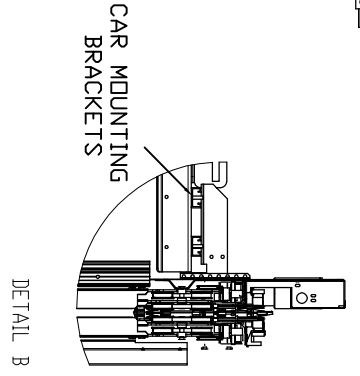
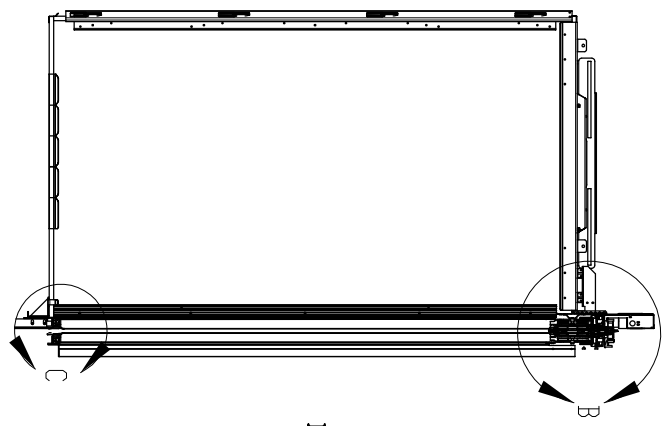


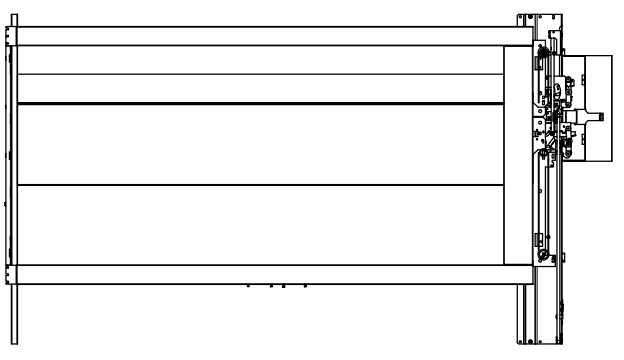
RH
RVU
ENTRANCE LOADS ON BUILDING
RH = 2500 N (562 lbf)
RVU = 500 N (112 lbf)



OVERHEAD REQUIRED = 104"



RIGHT HAND SHOWN



REV 1

H84"

29 1/2" SLIM DOOR

SLIM DOORS
2100

CUSTOMER: _____ DATE: 06/16/20

PROJECT: _____ REVISION DATE: _____

ADDRESS: _____ COMPLETED BY: _____

Part No. _____
Variant No. _____



NOTE: ENTRANCE FRAME ASSEMBLY IS NOT DESIGN TO BEAR OVERHEAD LOADS. CONTRACTOR TO PROVIDE ADEQUATE WALL STRUCTURE SUPPRT.