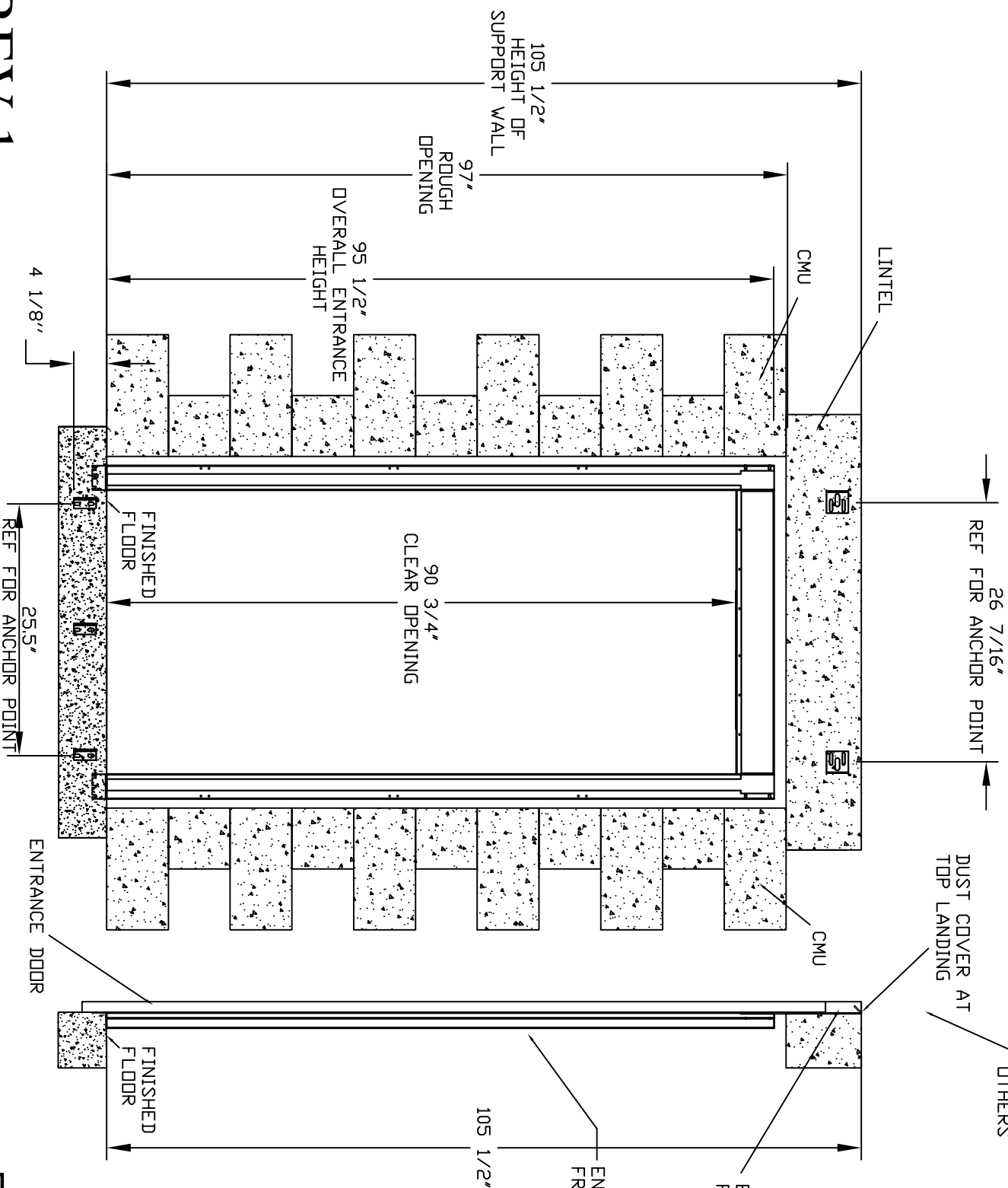
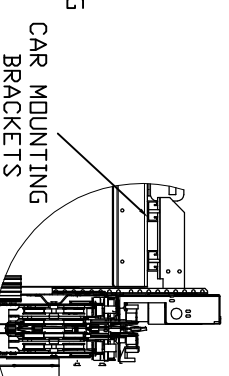


NOTE: ENTRANCE FRAME ASSEMBLY IS NOT DESIGN TO BEAR OVERHEAD LOADS. CONTRACTOR TO PROVIDE ADEQUATE WALL STRUCTURE SUPPORT.

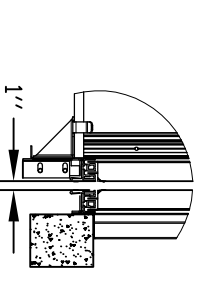
REFERENCE ONLY SIZE MAY VARY AS PER CONTRACTOR



RVD  
RH  
RVU  
ENTRANCE LOADS ON BUILDING  
RH = 2500 N (562 lbf)  
RVD = 775 N (175 lbf)  
RVU = 500 N (112 lbf)

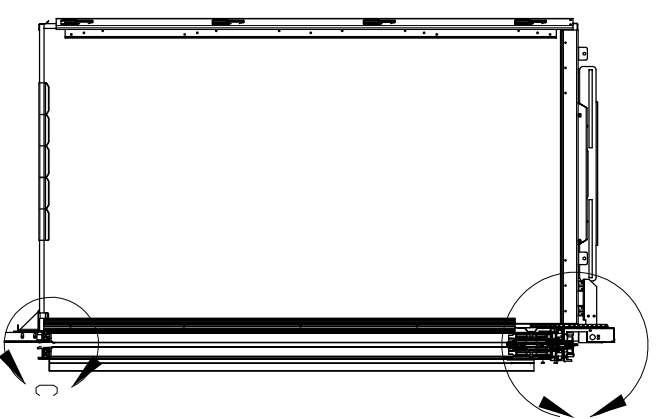


DETAIL B

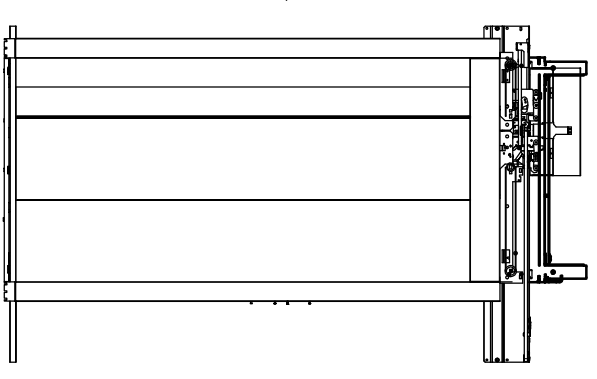


DETAIL C

OVERHEAD REQUIRED = 112"



RIGHT HAND SHOWN



REV 1  
H92"  
29 1/2" SLIM DOOR

SLIM DOORS  
2100

CUSTOMER:		DATE: 06/16/20	
PROJECT:		REVISION DATE:	
ADDRESS:		COMPLETED BY:	
JOB No.		SHEET No.	
1 OF		1	

