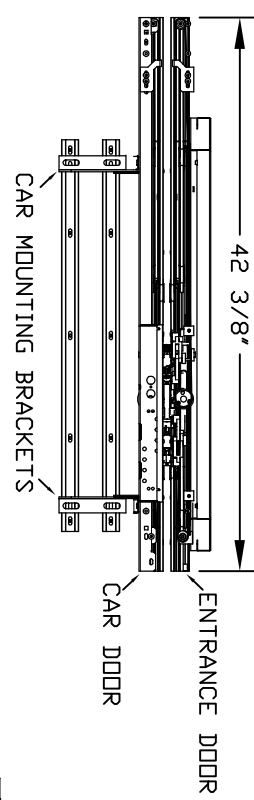
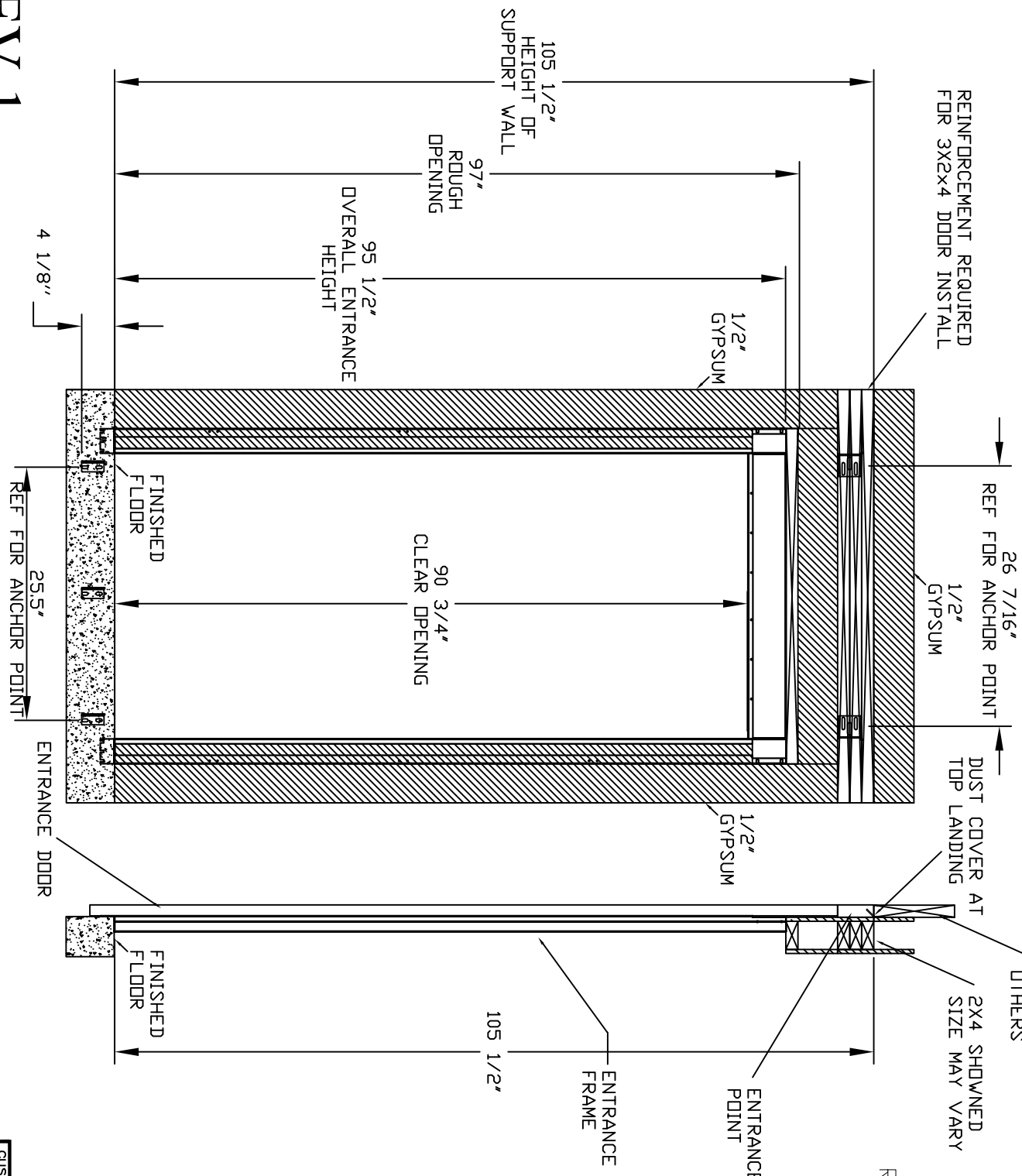


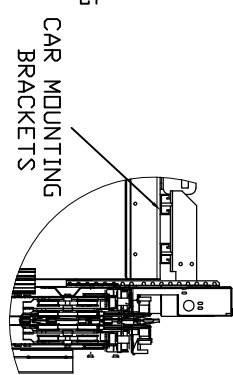
4 1/2" OVERALL THICKNESS WALL BY OTHERS NON FIRE RATED  
 REFERENCE ONLY SIZE MAY VARY AS PER CONTRACTOR



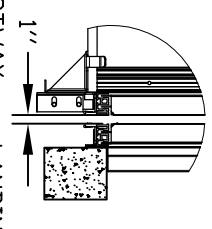
NOTE: ENTRANCE FRAME ASSEMBLY IS NOT DESIGN TO BEAR OVERHEAD LOADS. CONTRACTOR TO PROVIDE ADEQUATE WALL STRUCTURE SUPPORT.



ENTRANCE LOADS ON BUILDING  
 RH = 2500 N (562 lbf)  
 RVD = 775 N (175 lbf)  
 RVU = 500 N (112 lbf)

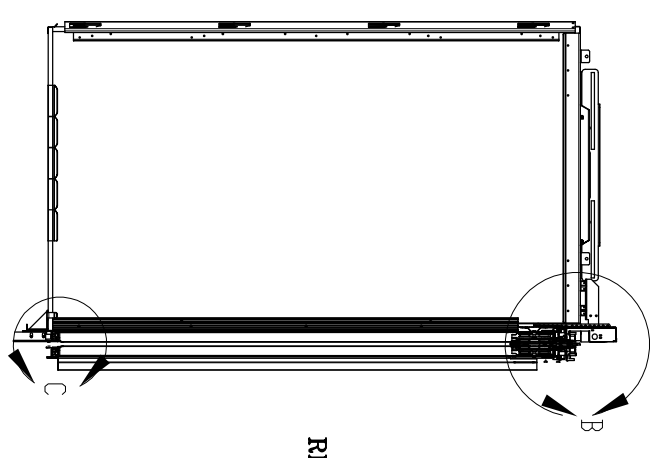


DETAIL B

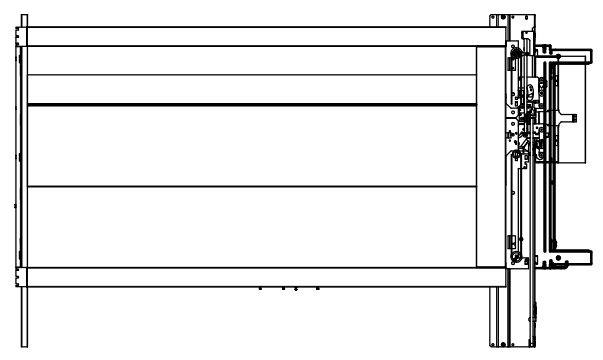


DETAIL C

OVERHEAD REQUIRED = 112"



RIGHT HAND SHOWN



REV 1  
 H92"  
 29 1/2" SLIM DOOR

SLIM DOORS  
 2100

CUSTOMER:	PROJECT:
ADDRESS:	DATE: 06/16/20
	REVISION DATE:
	COMPLETED BY:

Part No. \_\_\_\_\_  
 Variant No. \_\_\_\_\_  
**Savaria**  
 SHEET No. 1 OF 1