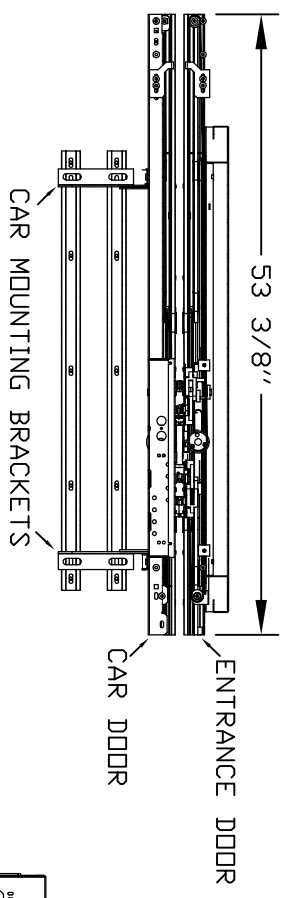
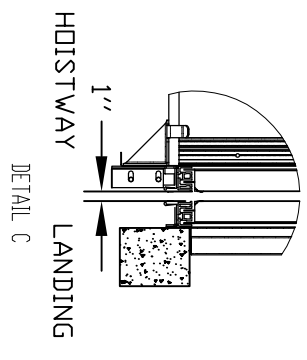
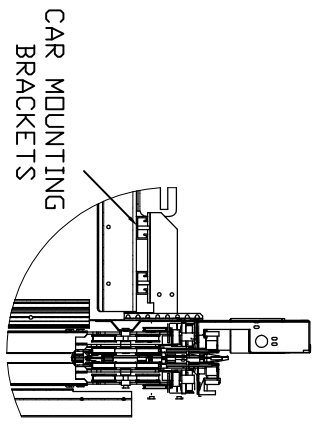


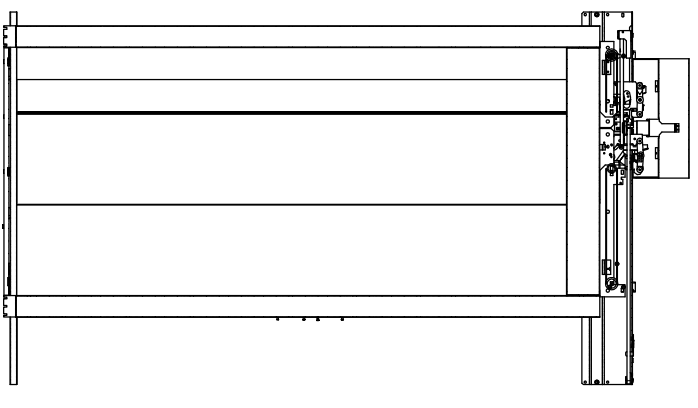
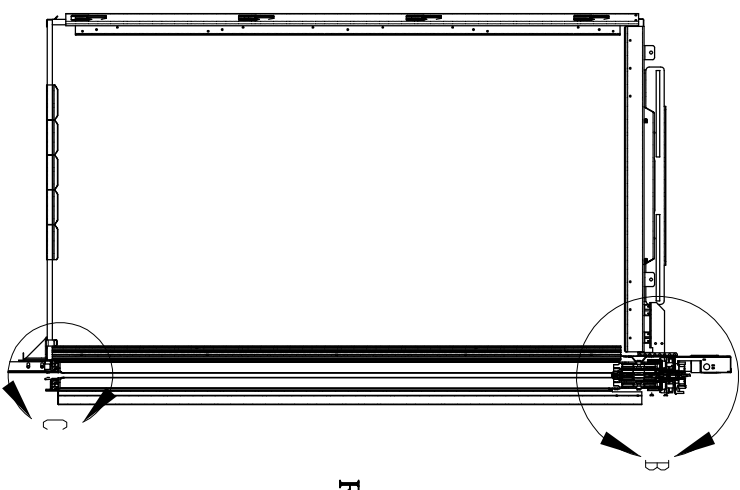
REFERENCE ONLY SIZE MAY VARY AS PER CONTRACTOR



ENTRANCE LOADS ON BUILDING  
RH = 2500 N (562 lbf)  
RV D = 775 N (175 lbf)  
RV U = 500 N (112 lbf)



NOTE: ENTRANCE FRAME ASSEMBLY IS NOT DESIGN TO BEAR OVERHEAD LOADS. CONTRACTOR TO PROVIDE ADEQUATE WALL STRUCTURE SUPPORT.



# SLIM DOORS 2100

CUSTOMER:	PROJECT:	DATE:
ADDRESS:	REVISION DATE:	02/11/11
	COMPLETED BY:	

Port No.  
Variant No.

SHEET No. 1 OF 1