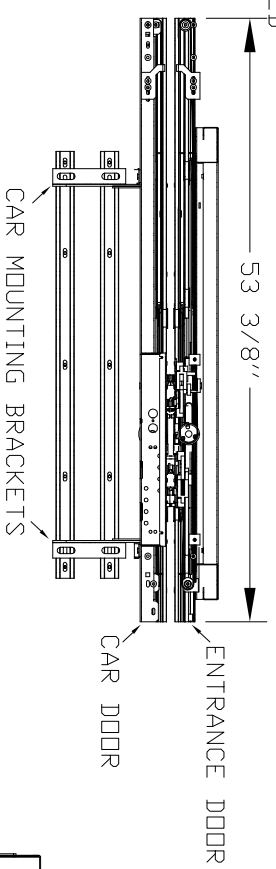


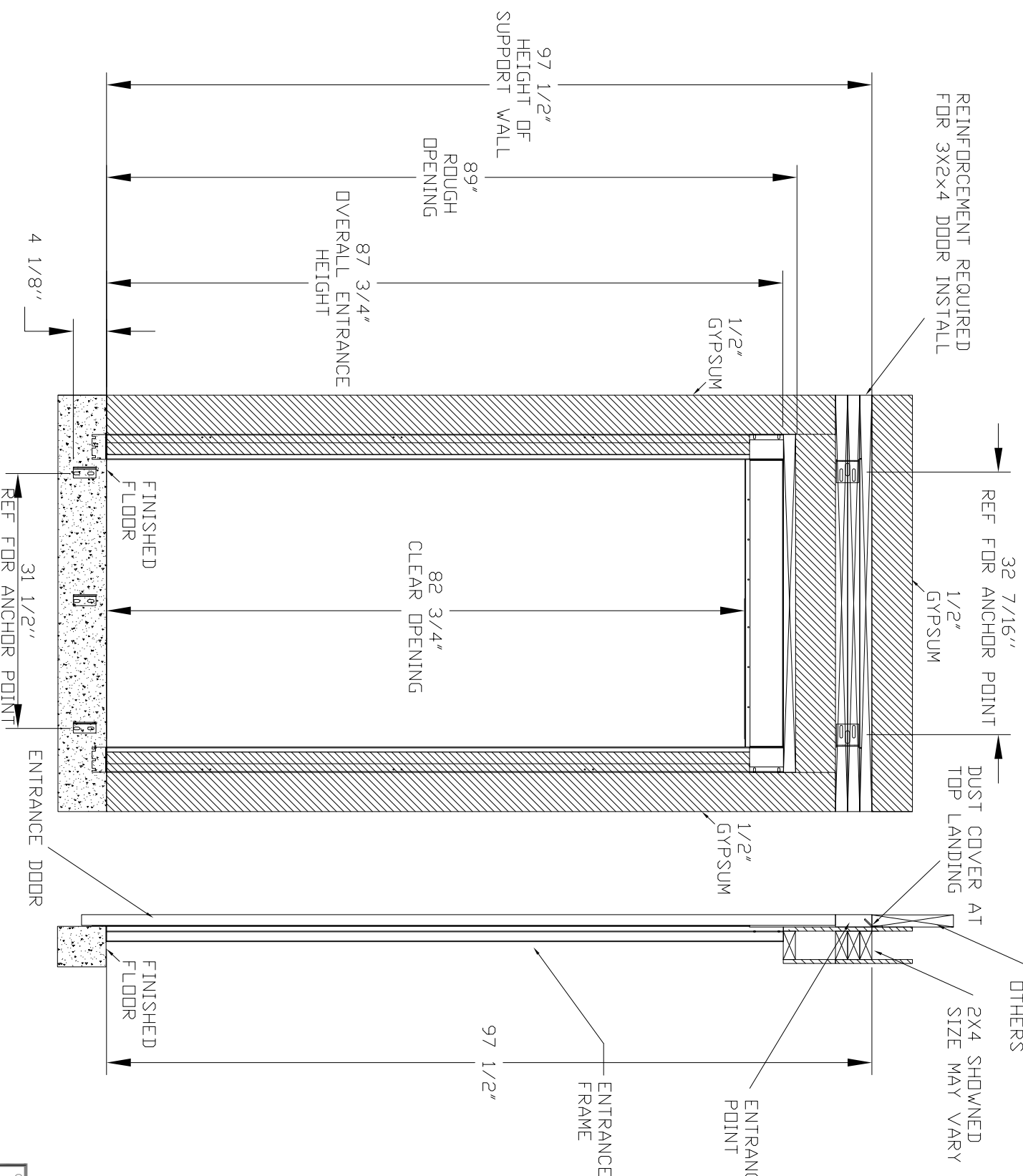
4 1/2" OVERALL THICKNESS WALL BY OTHERS NON FIRE RATED

REFERENCE ONLY SIZE MAY VARY AS PER CONTRACTOR



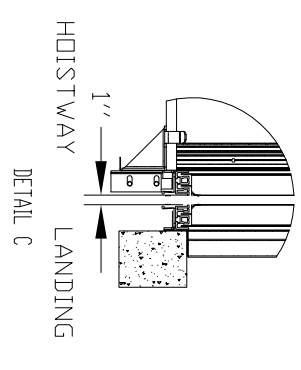
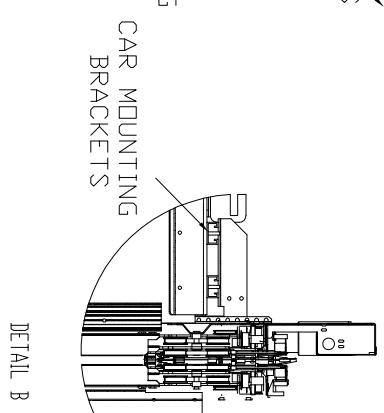
NOTE: ENTRANCE FRAME ASSEMBLY IS NOT DESIGN TO BEAR OVERHEAD LOADS, CONTRACTOR TO PROVIDE ADEQUATE WALL STRUCTURE SUPPORT.

REINFORCEMENT REQUIRED FOR 3X2X4 DOOR INSTALL

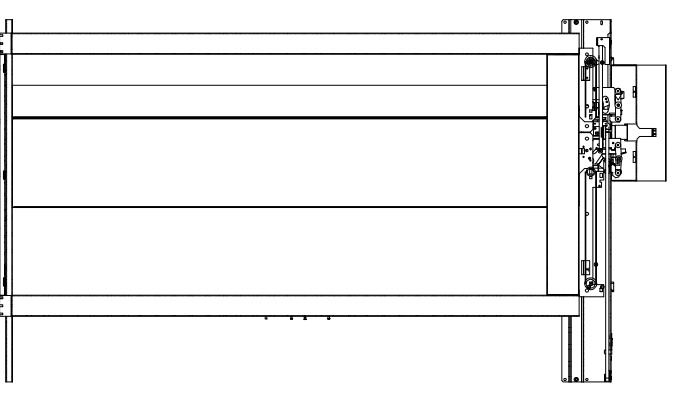
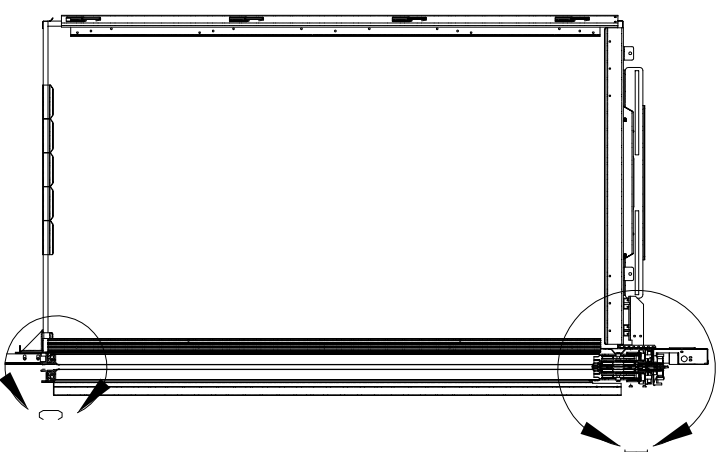


RVD
RH
RVU

ENTRANCE LOADS ON BUILDING
RH = 2500 N (562 lbf)
RVD = 775 N (175 lbf)
RVU = 500 N (112 lbf)



OVERHEAD REQUIRED = 104"



SLIM DOORS
2100

CUSTOMER:
PROJECT:
ADDRESS:
DATE: 06/16/20
REVISION DATE:
COMPLETED BY:



Part No.
Variant No.

JOB No.



SHEET No.
1 OF 1