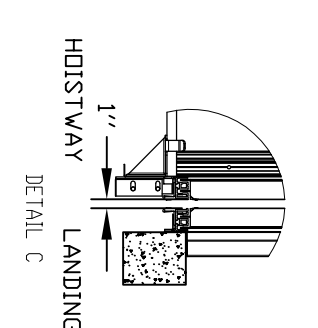
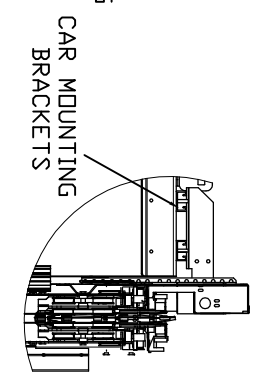
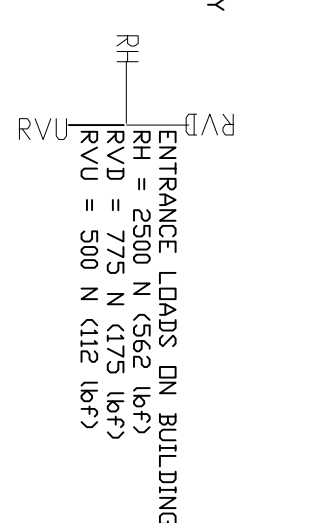
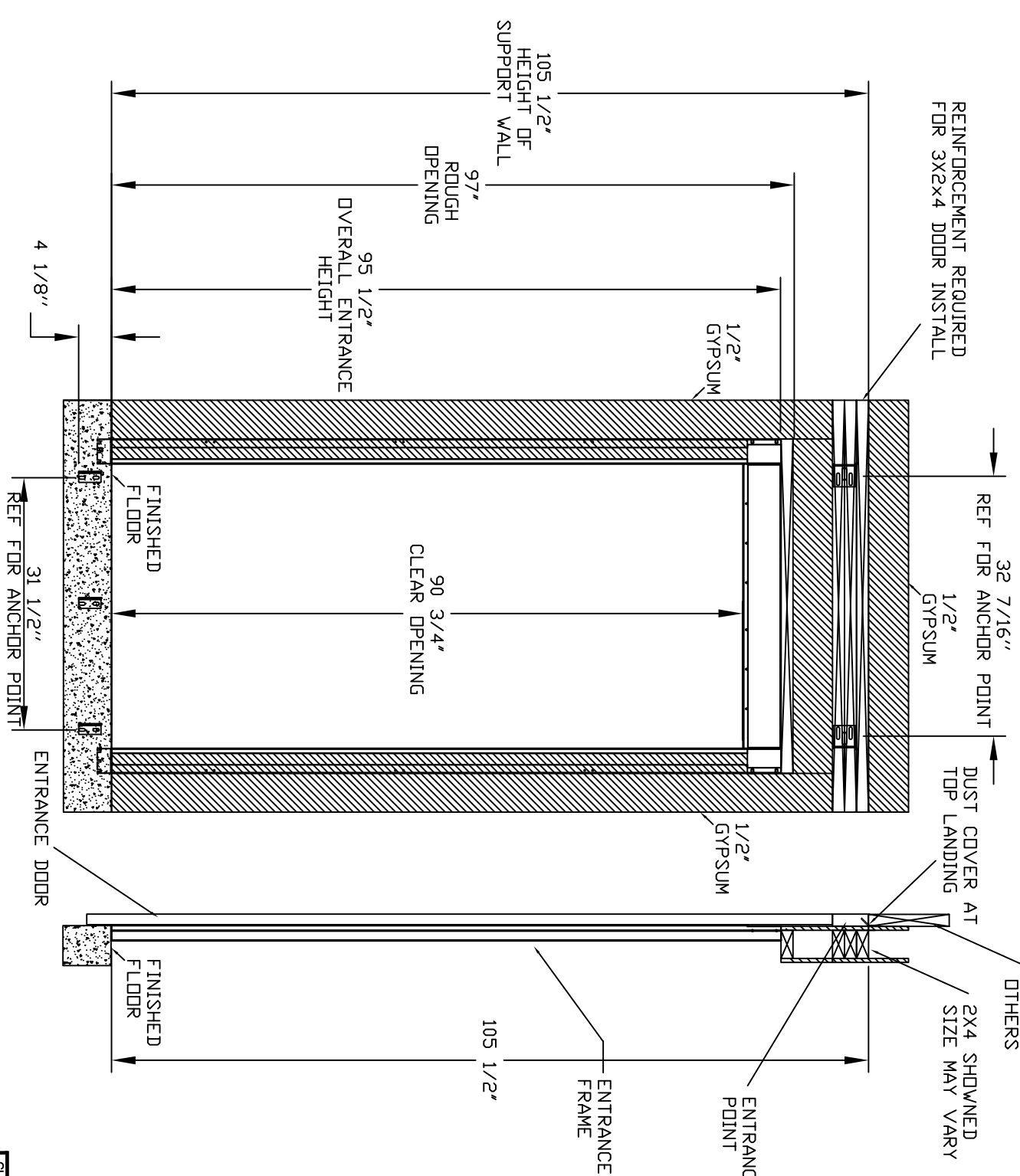
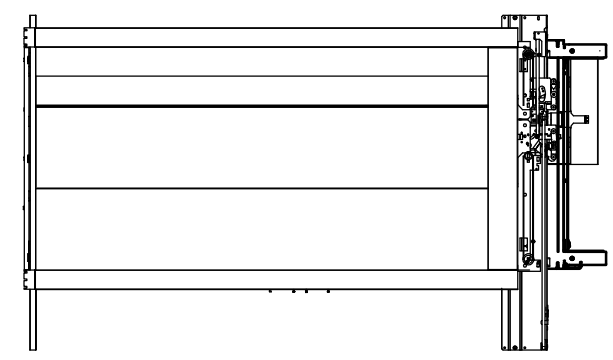
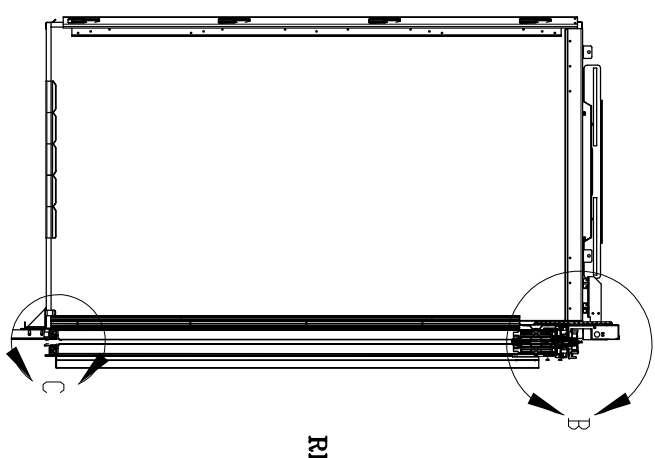


NOTE: ENTRANCE FRAME ASSEMBLY IS NOT DESIGN TO BEAR OVERHEAD LOADS. CONTRACTOR TO PROVIDE ADEQUATE WALL STRUCTURE SUPPORT.



OVERHEAD REQUIRED = 112"



RIGHT HAND SHOWN

REV 3
H92"
35 1/2" SLIM DOOR

SLIM DOORS
2100

CUSTOMER:	DATE:	06/16/20
PROJECT:	REVISION DATE:	
ADDRESS:	COMPLETED BY:	
Part No.		Savaria
Variant No.		
JOB No.	SHEET No.	1 OF 1