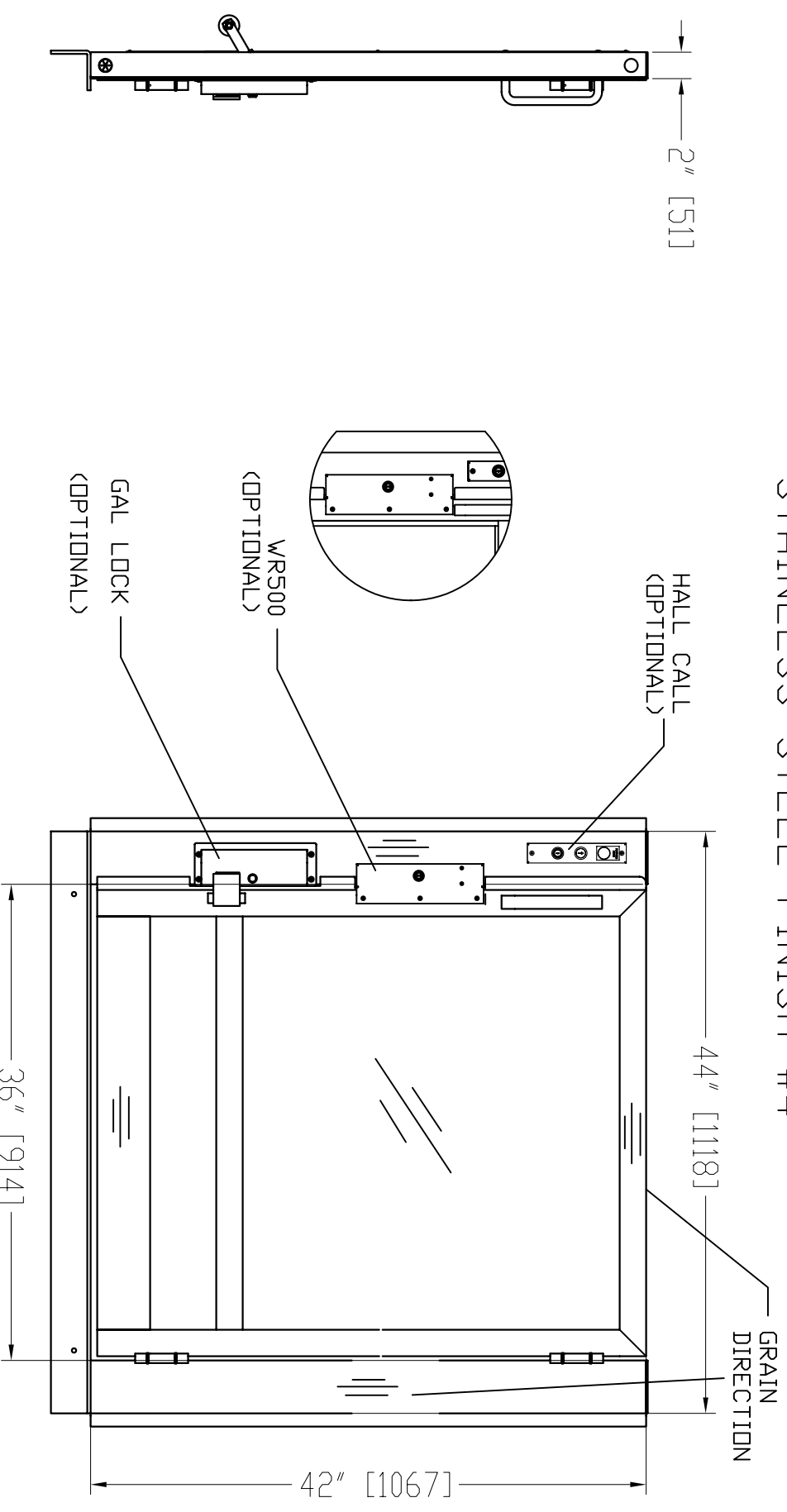
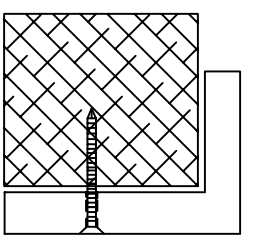


# STAINLESS STEEL FINISH #4



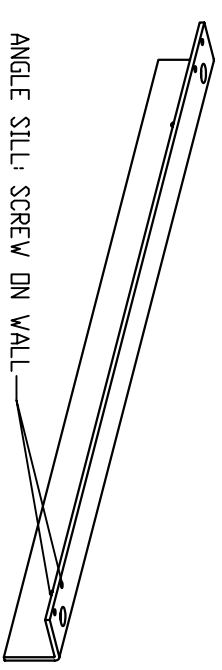
SIDE VIEW



WALL ATTACHMENT  
(8X) #8 X 3 FH SCREWS  
(SHIM AS REQUIRED)

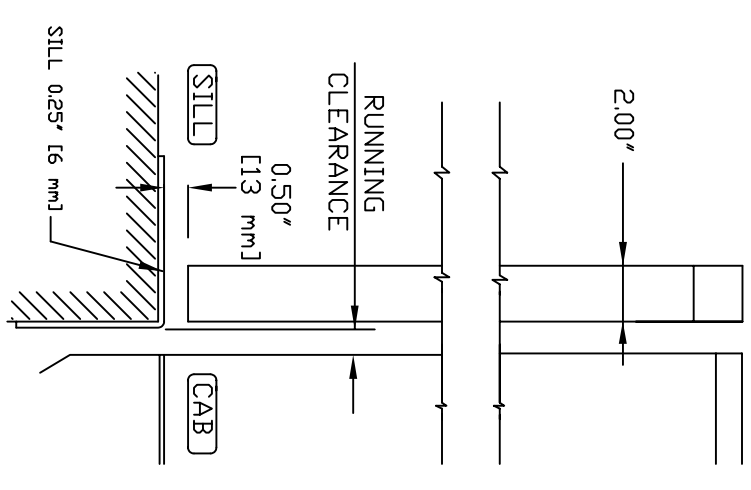
FRONT VIEW

LEFT HAND SHOWN

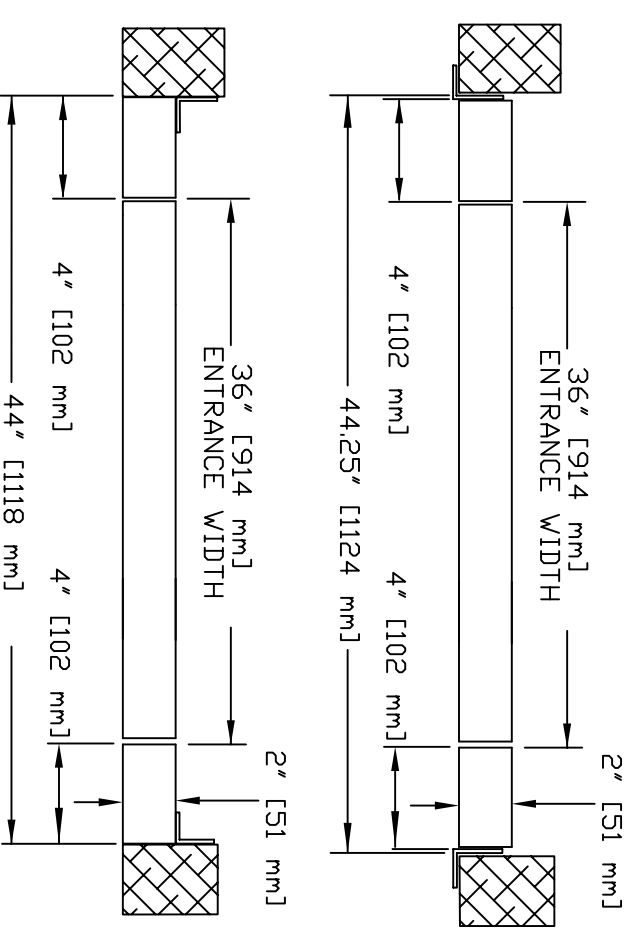


PANEL INSERT MATERIAL:

SUFFIX	DESCRIPTION
-C	CLEAR PLEXIGLASS
-B	BRONZE PLEXIGLASS
-TC	TEMPERED GLASS ETCHED FOR CANADA (ANSI 297.1, 16 CFR, SECTIONS 1201 AND 1202, OR CAN/CGSB-12.1)
-TU	TEMPERED GLASS ETCHED FOR US (ANSI 297.1, 16 CFR, SECTIONS 1201 AND 1202)
-LC	LAMINATED GLASS ETCHED FOR CANADA (ANSI 297.1, 16 CFR, SECTION 1201.4 OR CAN/CGSB-12.1)
-LU	LAMINATED GLASS ETCHED FOR CANADA (ANSI 297.1, 16 CFR, SECTION 1201.4)



VERTICAL SECTION



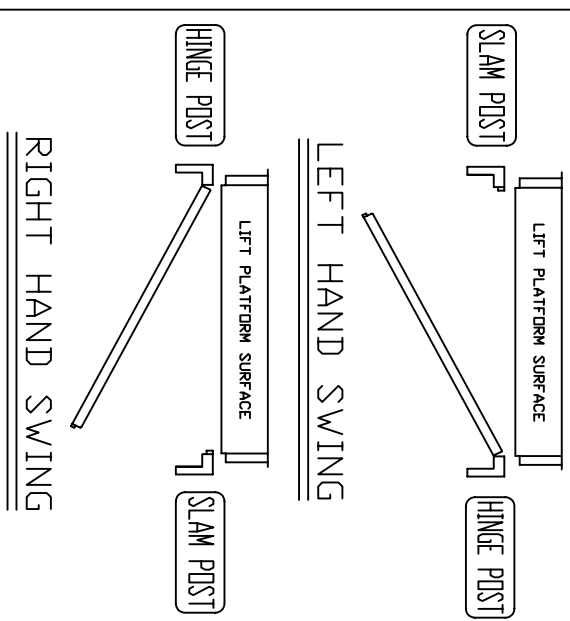
HORIZONTAL SECTION

**NOTES:**

- A: DRYWALL OR PARGING (BY OTHERS) AS REQ'D.
- B: SEE DATASHEET OF THE INSTALLATION DRAWING FOR LANDING ENTRANCE SCHEDULE.
- C: ALL INFORMATION IS SUBJECT TO CHANGE.

**GENERAL INFORMATION:**

- EACH LANDING ENTRANCE SHALL BE SUPPLIED AS A FINISHED ASSEMBLY WITH DOOR AND FRAME BLANKED, REINFORCED, DRILLED AND TAPPED FOR ALL COMPONENTS DETAILED, READY FOR INSTALLATION.
- DIFFERENT PANEL INSERT MATERIALS ARE OPTIONAL.
- DIFFERENT LOCKS SUCH AS GAL, ELECTRIC STRIKE, KWIK LOCK OR WR500 ARE OPTIONAL.



CUSTOMER: \_\_\_\_\_

PROJECT: \_\_\_\_\_

ADDRESS: \_\_\_\_\_

DATE: 03/21/11

REVISION DATE: MM/DD/YY

COMPLETED BY:

Part No. \_\_\_\_\_

Variant No. \_\_\_\_\_

JOB No. \_\_\_\_\_

SHEET No. 1 OF 1

42" MANUAL 36" HALF GATE