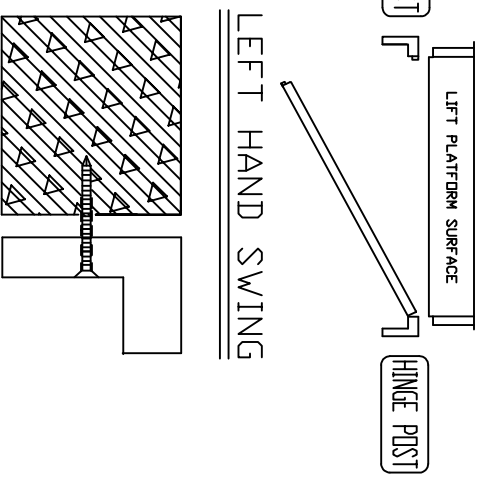
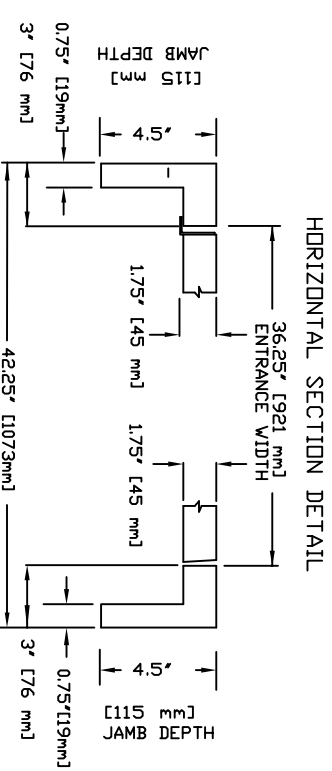
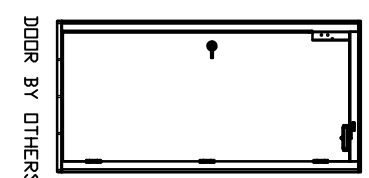
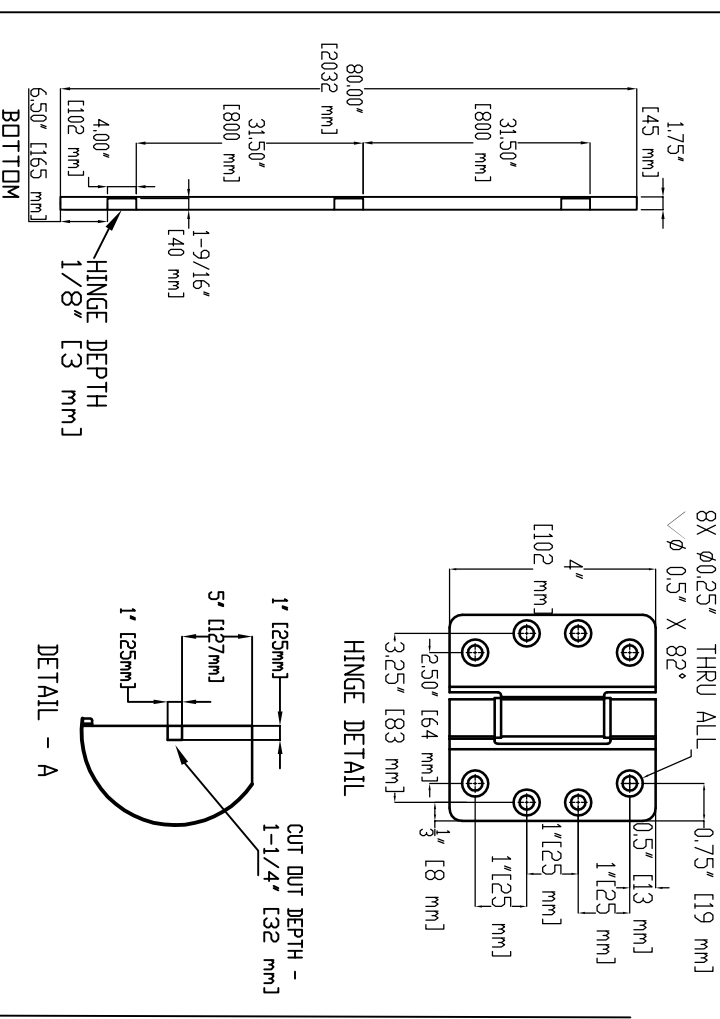


- PROVISION BY OTHERS ALL DOORS
- DRYWALL OR PARGING AROUND DOOR
 - FRAMES AROUND DOOR SHALL BE WOOD CONSTRUCTION WITH ALL EDGES AND JOINTS SANDED TO A SMOOTH, FINAL PAINT
 - FINISH MOLDING AROUND DOOR FRAME
 - SEE DATASHEET OF THE INSTALLATION DRAWING FOR LANDING ENTRANCE SCHEDULE.
- ADD. PROVISION FOR DOOR SLAB BY OTHERS
- DOOR SHALL BE SOLID-CORE, SWINGING TYPE
 - 1.75" THICK, 36" x 80" DOOR SLAB
 - DUMMY DOOR HANDLE
 - SEE BELOW FOR CUT OUT LIST FOR DOOR BY OTHERS
- NOTE: ALL INFORMATIONS IS SUBJECT TO CHANGE.



DOOR ATTACHEMENT HARDWARE
(5X) #8 X 3 FH SCREWS

36X80" MANUAL WOODEN LH DOOR

CUSTOMER: _____
PROJECT: _____
ADDRESS: _____
DATE: MM/DD/YY
REASON DATE: MM/DD/YY
COMPLETED BY: _____

Part No. _____
Variant No. _____

savaria

JOB No. _____
JOB NUMBER 1 OF 1