

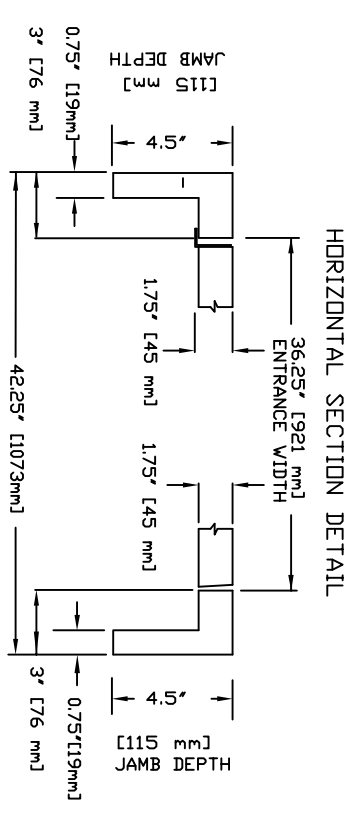
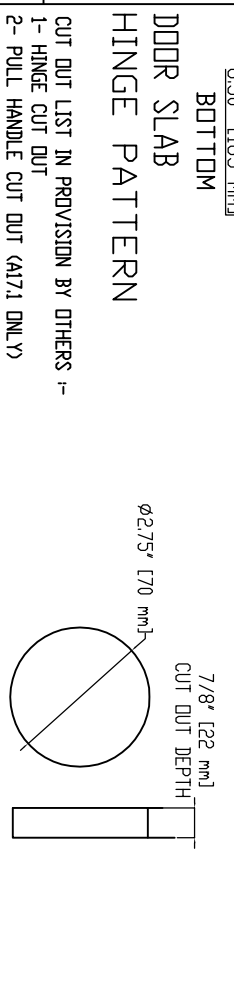
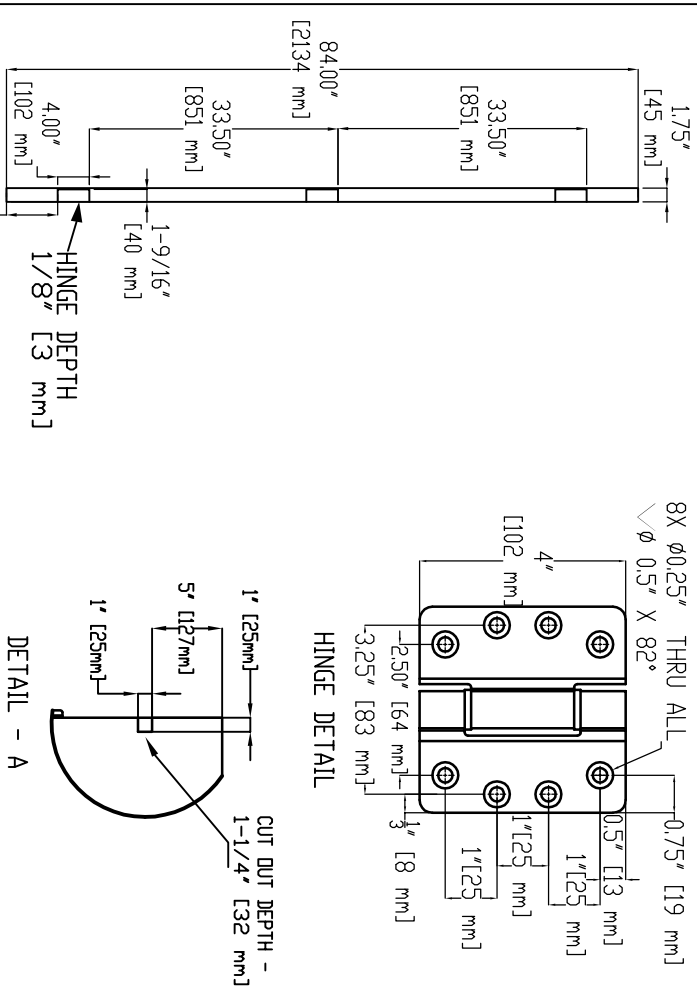
PROVISION BY OTHERS ALL DOORS

- DRYWALL OR PARGING AROUND DOOR
- FRAMES AROUND DOOR SHALL BE WOOD CONSTRUCTION WITH ALL EDGES AND JOINTS SANDED TO A SMOOTH, FINAL PAINT
- FINISH MOLDING AROUND DOOR FRAME
- SEE DATASHEET OF THE INSTALLATION DRAWING FOR LANDING ENTRANCE SCHEDULE.

ADD. PROVISION FOR DOOR SLAB BY OTHERS

- DOOR SHALL BE SOLID-CORE, SWINGING TYPE
- 1.75 THICK, 36\"/>

NOTE: ALL INFORMATIONS IS SUBJECT TO CHANGE.



36x84" MANUAL WOODEN LH DOOR

CUSTOMER: _____
 PROJECT: _____
 ADDRESS: _____

DATE: MM/DD/YY
 REVISION DATE: MM/DD/YY
 COMPLETED BY: _____

Part No. _____
 Variant No. _____

savaria

JOB No. _____ SHEET No. 1 OF 1
 JOB NUMBER 1

DOOR ATTACHEMENT HARDWARE
 (5X) #8 X 3 FH SCREWS