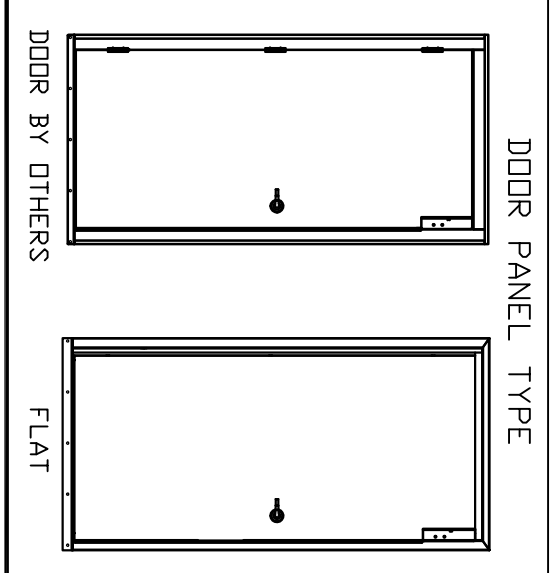
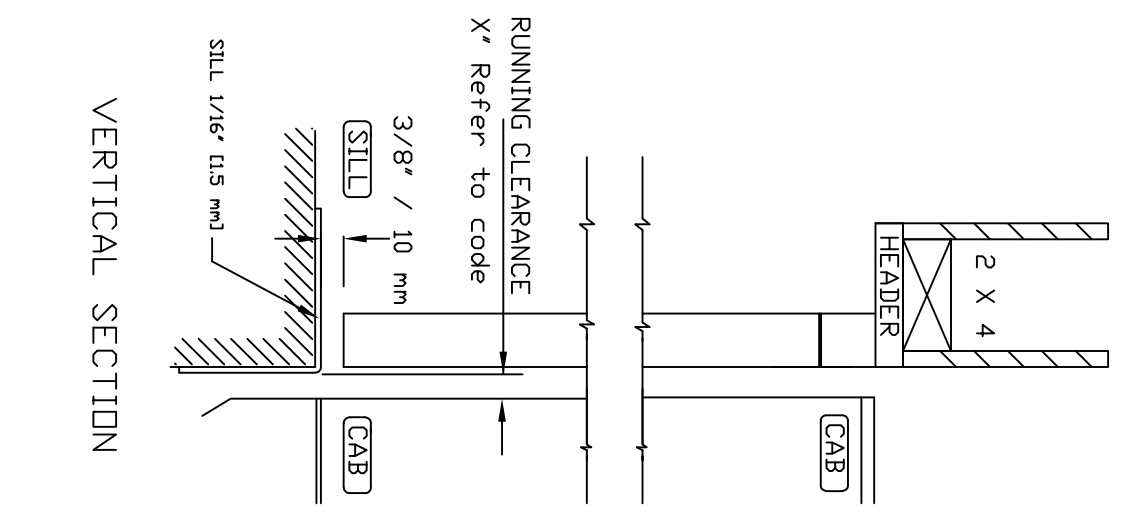


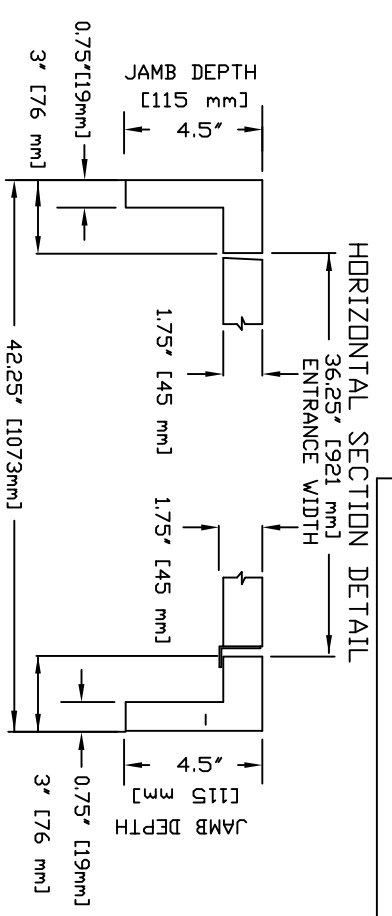
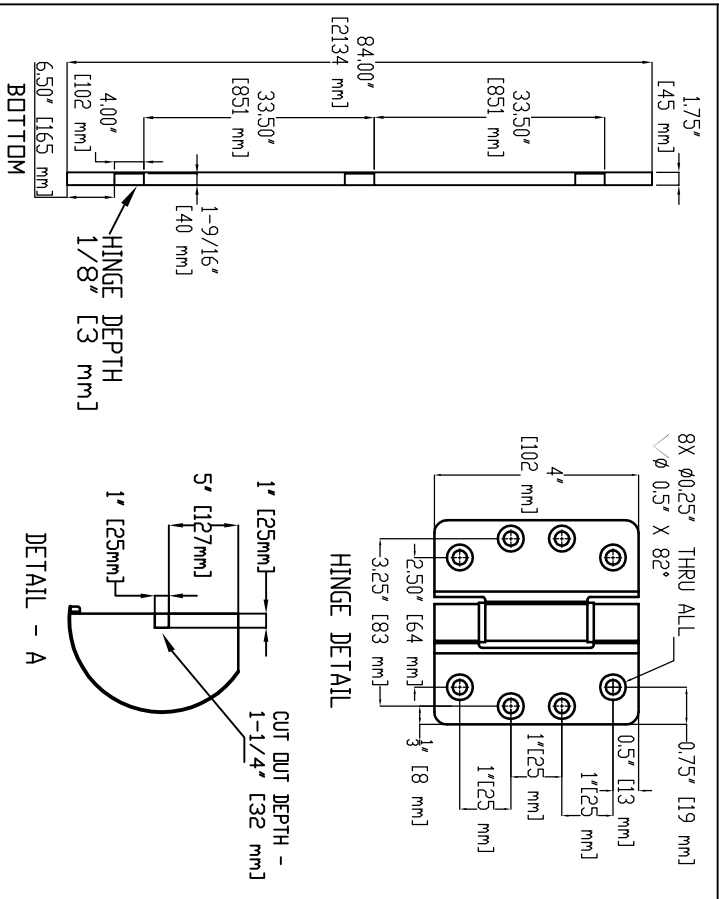
DOOR ATTACHMENT HARDWARE
(5X) #8 X 3 FH SCREWS



36x84" MANUAL WOODEN RH DOOR

PROVISION BY OTHERS ALL DOORS

- DRYWALL OR PARGING AROUND DOOR
- FRAMES AROUND DOOR SHALL BE WOOD CONSTRUCTION WITH ALL EDGES AND JOINTS SANDED TO A SMOOTH, - FINAL PAINT
- FINISH MOLDING AROUND DOOR FRAME
- SEE DATASHEET OF THE INSTALLATION DRAWING FOR LANDING ENTRANCE SCHEDULE.
- ADD. PROVISION FOR DOOR SLAB BY OTHERS
- DOOR SHALL BE SOLID-CORE, SWINGING TYPE
- 1.75 THICK, 36" x 84" DOOR SLAB
- DUMMY DOOR HANDLE
- SEE BELOW FOR CUT OUT LIST FOR DOOR BY OTHERS
- NOTE: ALL INFORMATIONS IS SUBJECT TO CHANGE.



CUT OUT LIST IN PROVISION BY OTHERS :-
 1- HINGE CUT OUT
 2- PULL HANDLE CUT OUT (A17.1 ONLY)
 3- EMERGENCY LEVER CUT OUT FOR PORTA-LOCK

CUSTOMER: _____
 PROJECT: _____
 ADDRESS: _____

DATE: MM/DD/YY
 REVISION DATE: MM/DD/YY
 COMPLETED BY: _____

Part No. _____
 Variant No. _____

savarida

JOB No. _____ JOB NUMBER 1 OF 1 SHEET No. 1