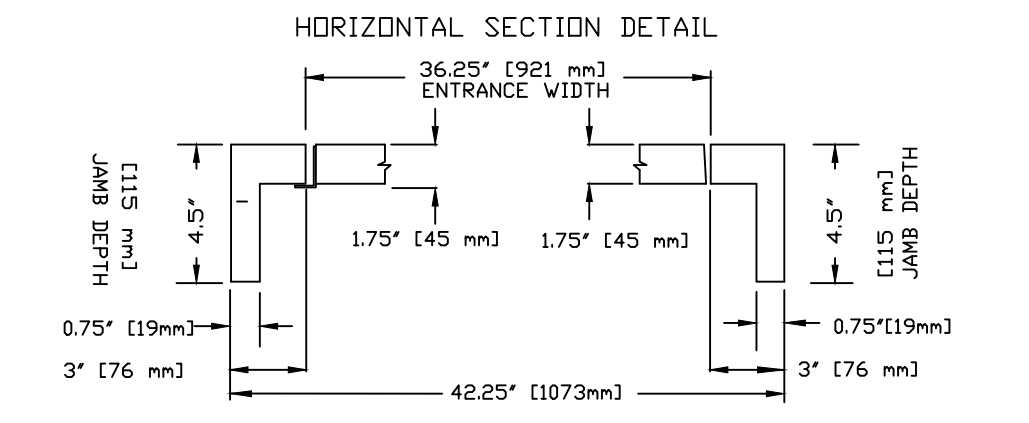
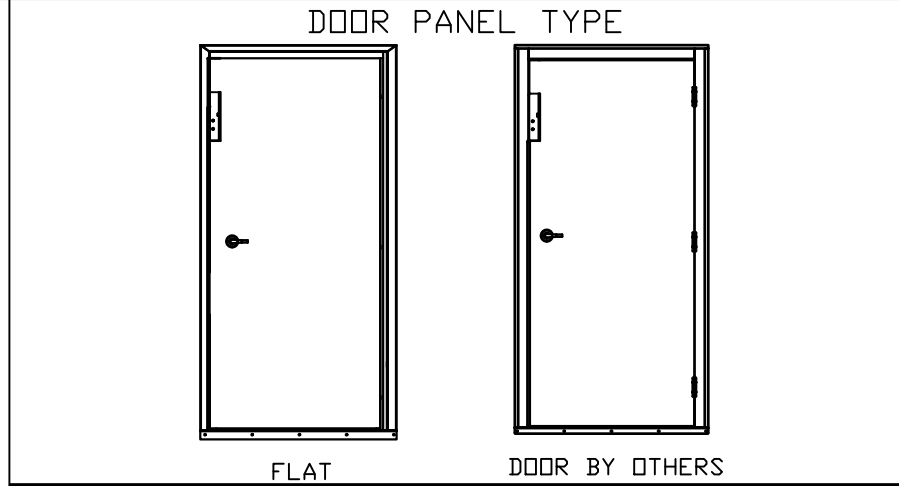
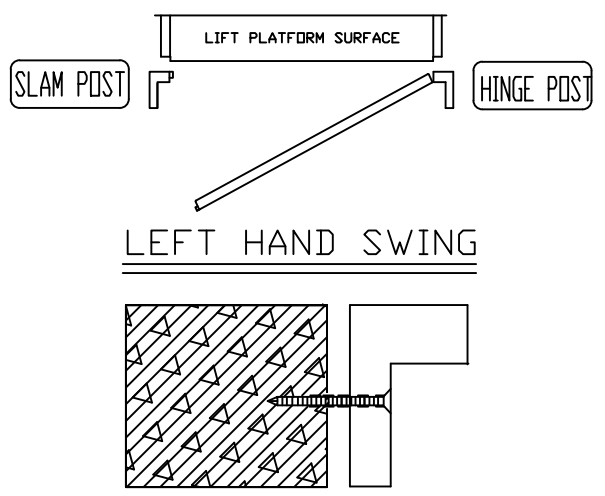
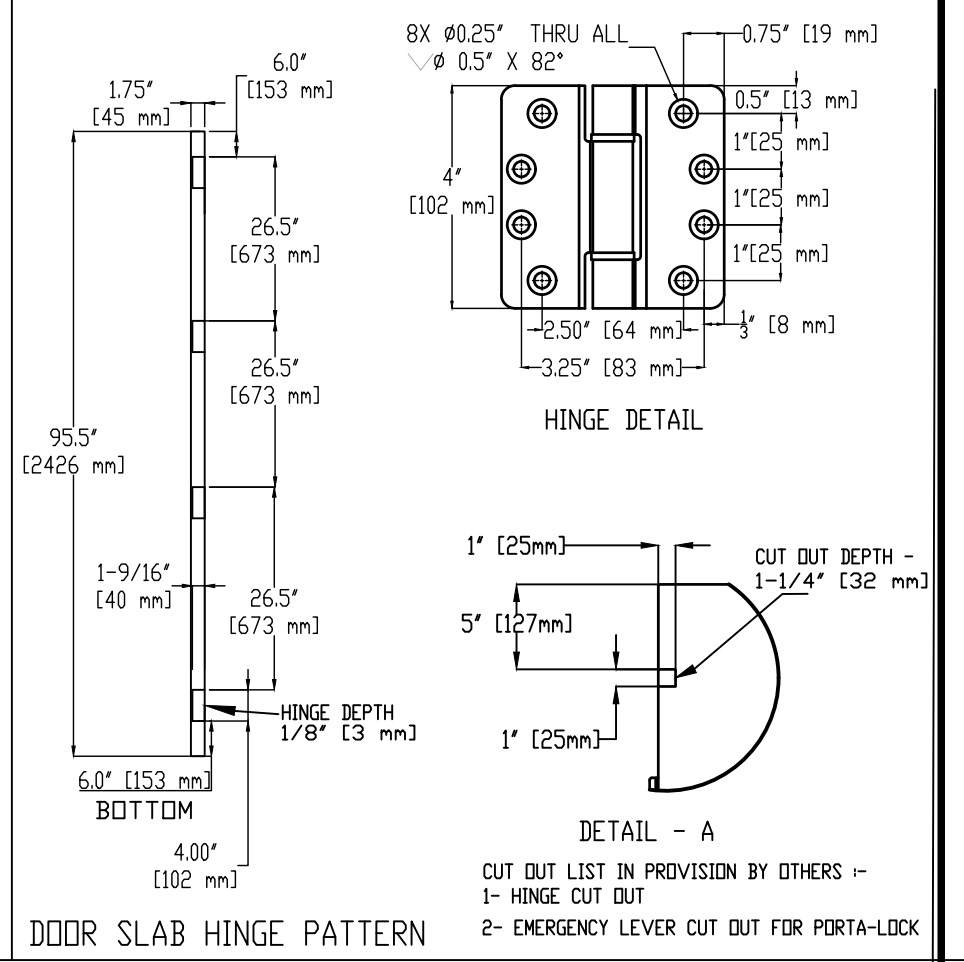


- PROVISION BY OTHERS ALL DOORS**
- DRYWALL OR PARGING AROUND DOOR
 - FRAMES AROUND DOOR SHALL BE WOOD CONSTRUCTION WITH ALL EDGES AND JOINTS SANDED TO A SMOOTH,
 - FINAL PAINT
 - FINISH MOLDING AROUND DOOR FRAME
 - SEE DATASHEET OF THE INSTALLATION DRAWING FOR LANDING ENTRANCE SCHEDULE.
- ADD. PROVISION FOR DOOR SLAB BY OTHERS**
- DOOR SHALL BE SOLID-CORE, SWINGING TYPE
 - 1.75 THICK, 36" x 96" DOOR SLAB
 - DUMMY DOOR HANDLE
 - SEE BELOW FOR CUT OUT LIST FOR DOOR BY OTHERS
- NOTE: ALL INFORMATIONS IS SUBJECT TO CHANGE.



DOOR ATTACHEMENT HARDWARE
(5X) #8 X 3 FH SCREWS

36x96" AUTO WOODEN LH DOOR

CUSTOMER: _____ DATE: MM/DD/YY _____
 PROJECT: _____ REVISION DATE: MM/DD/YY _____
 ADDRESS: _____ COMPLETED BY: PS _____

Part No. _____
 Variant No. _____

savaria™

JOB No. JOB NUMBER 1 SHEET No. 1 OF 1