

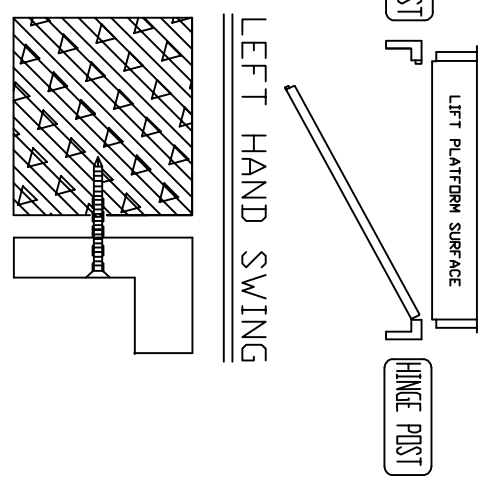
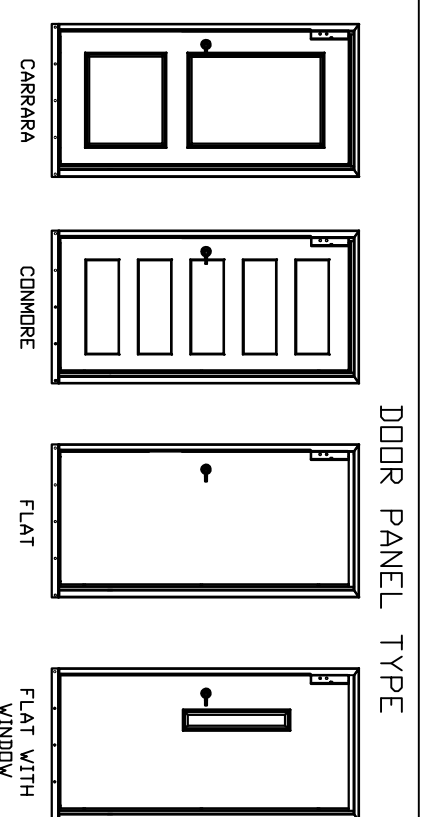
PROVISION BY OTHERS ALL DOORS

- DRYWALL OR PARGING AROUND DOOR
- FRAMES AROUND DOOR SHALL BE WOOD CONSTRUCTION WITH ALL EDGES AND JOINTS SANDED TO A SMOOTH, FINAL PAINT
- FINISH MOLDING AROUND DOOR FRAME
- SEE DATASHEET OF THE INSTALLATION DRAWING FOR LANDING ENTRANCE SCHEDULE.

ADD. PROVISION FOR DOOR SLAB BY OTHERS

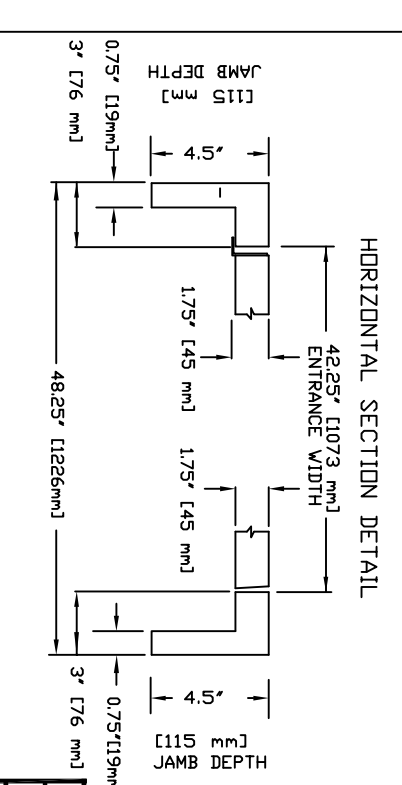
- DOOR SHALL BE SOLID-CORE, SWINGING TYPE
- 1.75 THICK, 42" x 80" DOOR SLAB
- DUMMY DOOR HANDLE
- SEE BELOW FOR CUT OUT LIST FOR DOOR BY OTHERS

NOTE: ALL INFORMATION IS SUBJECT TO CHANGE.



DOOR ATTACHMENT HARDWARE (5X) #8 X 3 FH SCREWS

42" X 80" AUTO WOODEN LH DOOR



CUSTOMER: _____

PROJECT: _____

ADDRESS: _____

DATE: MM/DD/YY

REVISION DATE: MM/DD/YY

COMPLETED BY: _____

Part No. _____

Variant No. _____

JOB No. _____

JOB NUMBER 1 OF 1

SHEET No. 1

savaria