

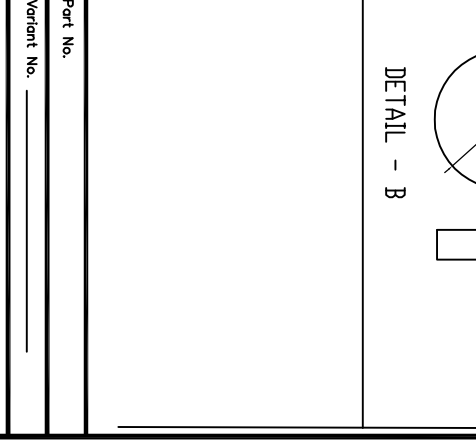
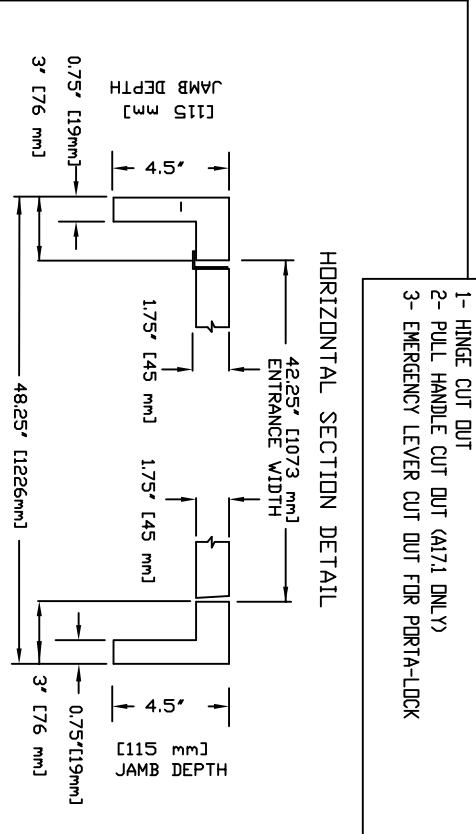
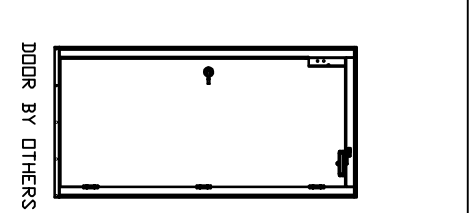
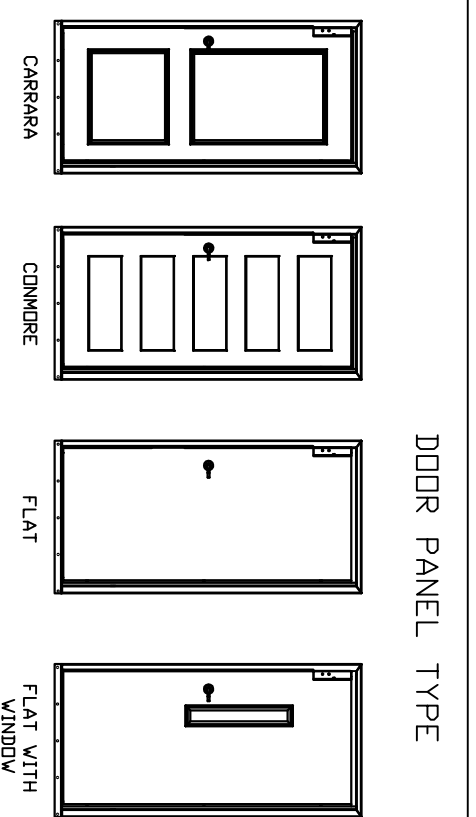
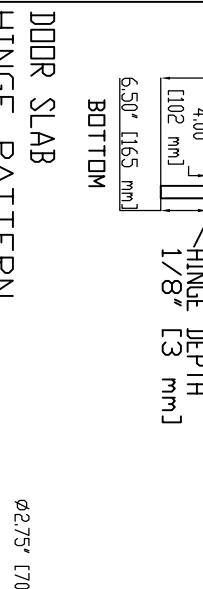
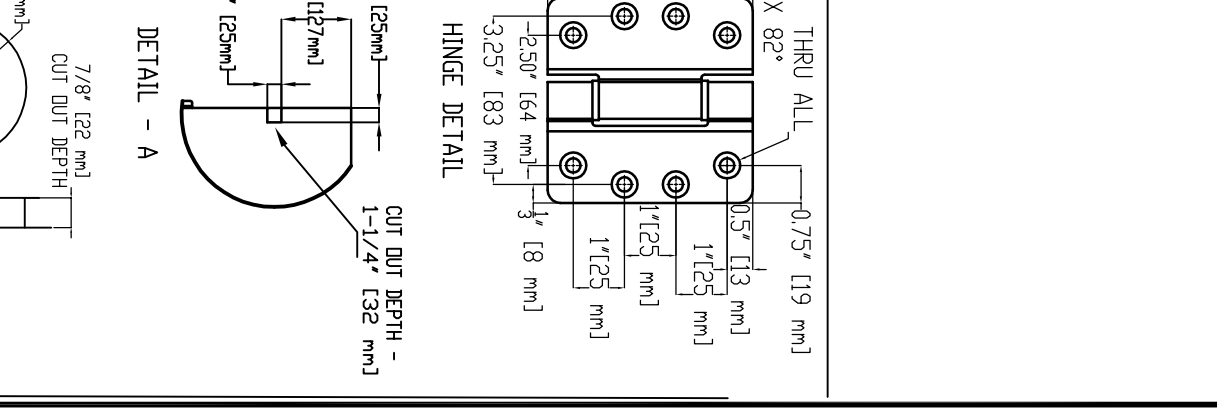
PROVISION BY OTHERS ALL DOORS

- DRYWALL OR PARGING AROUND DOOR
- FRAMES AROUND DOOR SHALL BE WOOD CONSTRUCTION WITH ALL EDGES AND JOINTS SANDED TO A SMOOTH, FINAL PAINT
- FINISH MOLDING AROUND DOOR FRAME
- SEE DATASHEET OF THE INSTALLATION DRAWING FOR LANDING ENTRANCE SCHEDULE.

ADD. PROVISION FOR DOOR SLAB BY OTHERS

- DOOR SHALL BE SOLID-CORE, SWINGING TYPE
- 1.75 THICK, 42\"/>

NOTE: ALL INFORMATIONS IS SUBJECT TO CHANGE.



SLAM POST
LIFT PLATFORM SURFACE
HINGE POST
LEFT HAND SWING
DOOR ATTACHEMENT HARDWARE
(5X) #8 X 3 FH SCREWS

42" X 80" MANUAL WOODEN LH DOOR

CUSTOMER:
PROJECT:
ADDRESS:
DATE: MM/DD/YY
REVISION DATE: MM/DD/YY
COMPLETED BY: [Signature]

Part No. _____
Variant No. _____
JOB No. _____
JOB NUMBER 1 OF 1
SHEET No. 1

