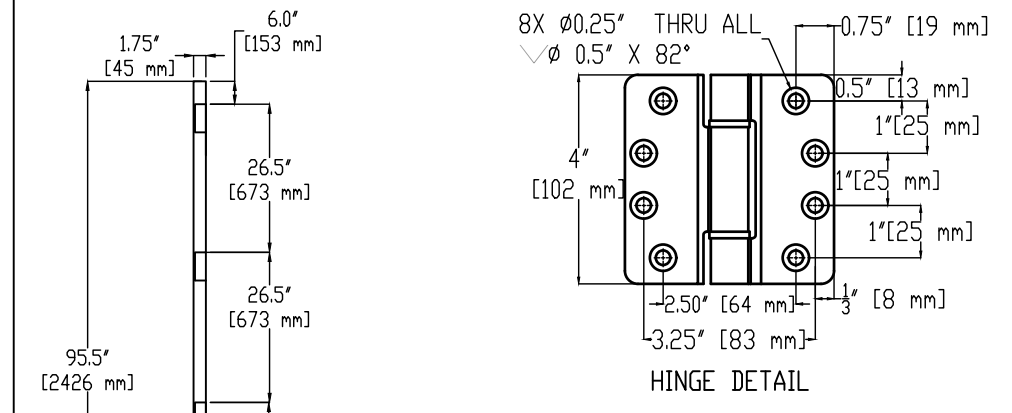


PROVISION BY OTHERS ALL DOORS

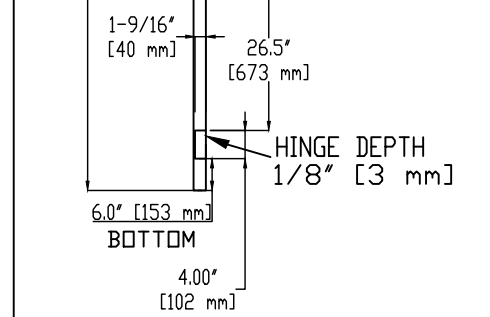
- DRYWALL OR PARGING AROUND DOOR
- FRAMES AROUND DOOR SHALL BE WOOD CONSTRUCTION WITH ALL EDGES AND JOINTS SANDED TO A SMOOTH, FINAL PAINT
- FINISH MOLDING AROUND DOOR FRAME
- SEE DATASHEET OF THE INSTALLATION DRAWING FOR LANDING ENTRANCE SCHEDULE.

ADD. PROVISION FOR DOOR SLAB BY OTHERS

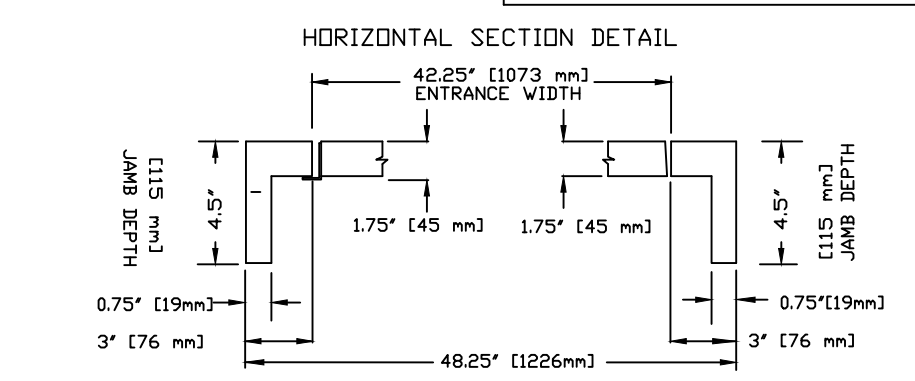
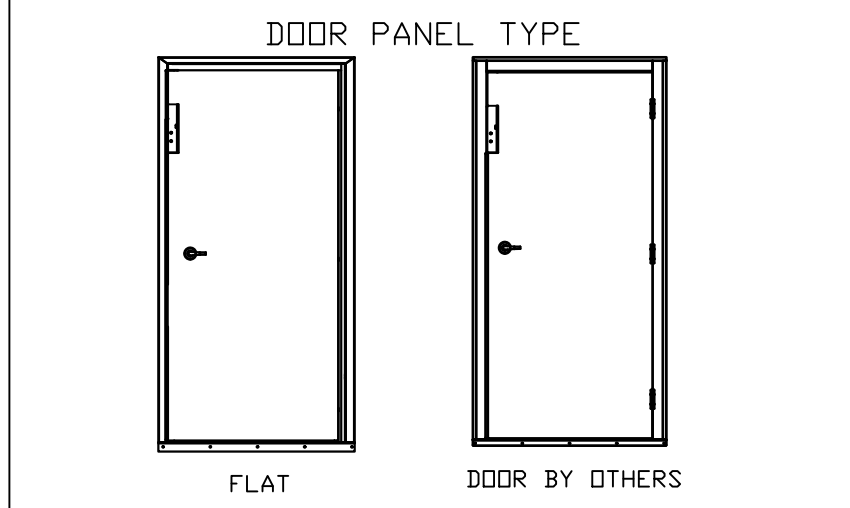
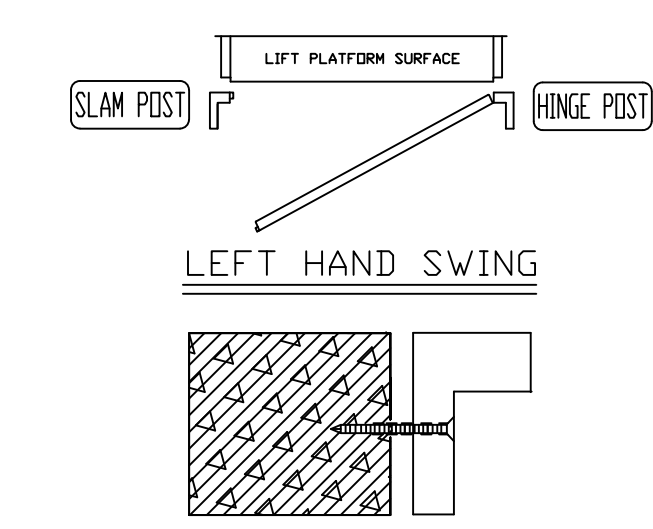
- DOOR SHALL BE SOLID-CORE, SWINGING TYPE
- 1.75 THICK, 42" x 96" DOOR SLAB
- DUMMY DOOR HANDLE
- SEE BELOW FOR CUT OUT LIST FOR DOOR BY OTHERS
- NOTE: ALL INFORMATIONS IS SUBJECT TO CHANGE.



DOOR SLAB HINGE PATTERN



- CUT OUT LIST IN PROVISION BY OTHERS :-
- 1- HINGE CUT OUT
 - 2- PULL HANDLE CUT OUT (A17.1 ONLY)
 - 3- EMERGENCY LEVER CUT OUT FOR PORTA-LOCK



42x96" MANUAL WOODEN LH DOOR

CUSTOMER:	DATE: MM/DD/YY	Part No.
PROJECT:	REVISION DATE: MM/DD/YY	Variant No.
ADDRESS:	COMPLETED BY: PS	