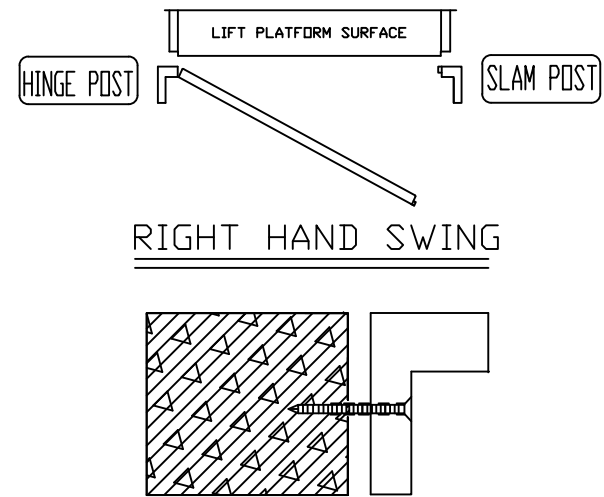
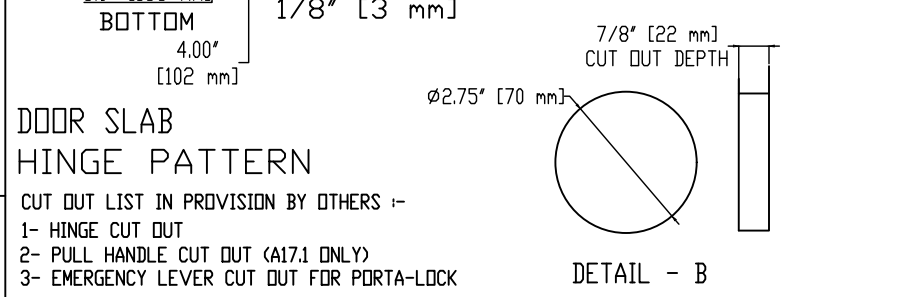
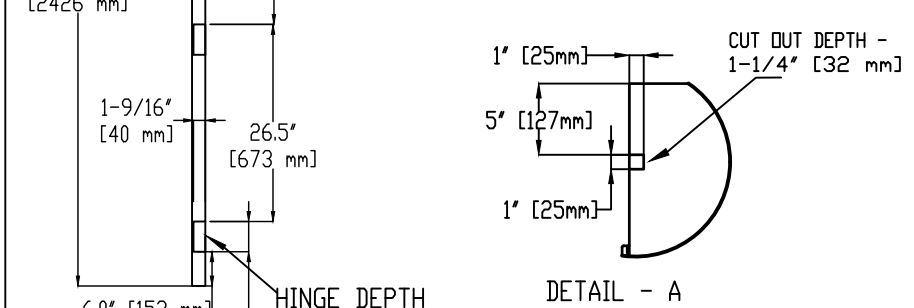
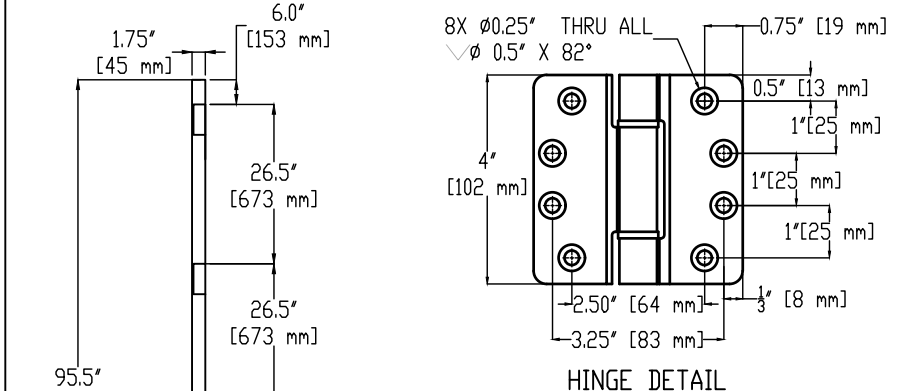


PROVISION BY OTHERS ALL DOORS

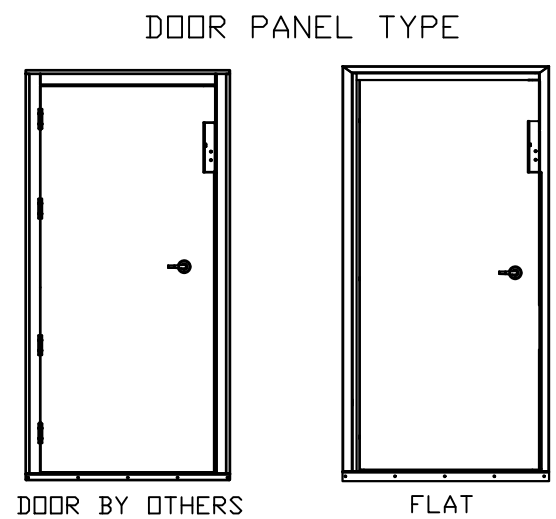
- DRYWALL OR PARGING AROUND DOOR
- FRAMES AROUND DOOR SHALL BE WOOD CONSTRUCTION WITH ALL EDGES AND JOINTS SANDED TO A SMOOTH,
- FINAL PAINT
- FINISH MOLDING AROUND DOOR FRAME
- SEE DATASHEET OF THE INSTALLATION DRAWING FOR LANDING ENTRANCE SCHEDULE.

ADD. PROVISION FOR DOOR SLAB BY OTHERS

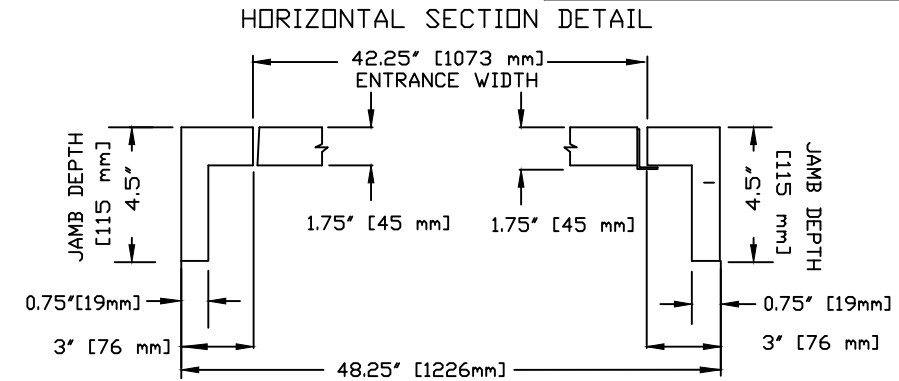
- DOOR SHALL BE SOLID-CORE, SWINGING TYPE
- 1.75 THICK, 42" x 96" DOOR SLAB
- DUMMY DOOR HANDLE
- SEE BELOW FOR CUT OUT LIST FOR DOOR BY OTHERS
- NOTE: ALL INFORMATIONS IS SUBJECT TO CHANGE.



DOOR ATTACHEMENT HARDWARE
(5X) #8 X 3 FH SCREWS



42x96" MANUAL WOODEN RH DOOR



CUSTOMER:	DATE: MM/DD/YY	Part No.
PROJECT:	REVISION DATE: MM/DD/YY	Variant No.
ADDRESS:	COMPLETED BY: PS	