

PROVISIONS BY OTHERS

HOST/VAI - THE HOST/VAI MUST BE IN ACCORDANCE WITH SAFETY CODE FOR ELEVATORS AND ESCALATORS (ASME A17.2) AND ALL STATE AND LOCAL CODES.
ELABORATIONS - DUE TO CLOSE TIGHTNESS OVERHEAD/AGENT LEVEL, PLUMB AND SQUARE AND ARE IN ACCORDANCE WITH THE DIMENSIONS IN THESE DRAWINGS.
MINIMUM CLEARANCE - OVERHEAD/AGENT MUST ENSURE MINIMUM OVERHEAD CLEARANCE IN COMPLIANCE WITH CODES.
CONTRACTOR/CUSTOMER - CONTRACTOR TO ASSURE THAT BUILDING AND SHAF T WALL SAFETY SUPPORT ALL LOADS BRAVING FOR LOADS IMPOSED BY THE EQUIPMENT.
MACHINE ROOM (WHERE REQUIRED)
 LOCATION / ACCESS - MACHINE ROOM LOCATED AT THE LOWEST LEVEL. ADJUST TO HOST/VAI, UNLESS SHOWN OTHERWISE ON THE LAYOUT DRAWINGS. FIELD ADJUSTMENT BY INSTALLER MAY BE NECESSARY TO MEET JOB SITE CONDITIONS OR REGULATIONS.
REQUIREMENTS OF THE AUTHORITY HAVING JURISDICTION
 SLEEVES FOR ELECTRIC LINES - FROM MACHINE ROOM TO HOST/VAI AS REQUIRED. POSITIONS PER INSTALLERS INSTRUCTIONS.
CONTRACTOR/CUSTOMER TO VERIFY ALL DIMENSIONS AND REPORT ANY DISCREPANCIES TO OUR OFFICE IMMEDIATELY.
STRUCTURAL
ELEVATOR/SUPPORT WALL LOADS - STRUCTURE TO ANCHOR A CRANK SHAF T AND SAFETY HARNES S, WHERE APPLICABLE/REQUIRED, TO BE PROVIDED BY CONTRACTOR. CONTRACTOR TO ASSURE THAT BUILDING AND SHAF T WALL SAFETY SUPPORT ALL LOADS BRAVING FOR LOADS IMPOSED BY THE EQUIPMENT.
MACHINE ROOM (WHERE REQUIRED)
 LOCATION / ACCESS - MACHINE ROOM LOCATED AT THE LOWEST LEVEL. ADJUST TO HOST/VAI, UNLESS SHOWN OTHERWISE ON THE LAYOUT DRAWINGS. FIELD ADJUSTMENT BY INSTALLER MAY BE NECESSARY TO MEET JOB SITE CONDITIONS OR REGULATIONS.
REQUIREMENTS OF THE AUTHORITY HAVING JURISDICTION
 SLEEVES FOR ELECTRIC LINES - FROM MACHINE ROOM TO HOST/VAI AS REQUIRED. POSITIONS PER INSTALLERS INSTRUCTIONS.

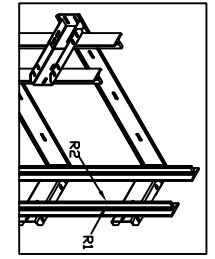
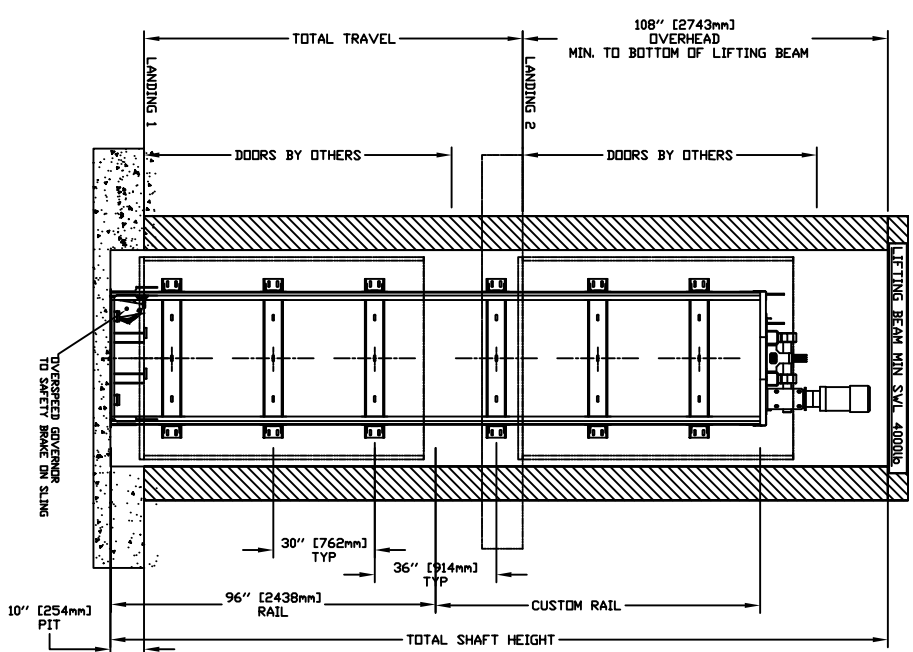


TABLE 1
RAIL BRACKETS

RAIL FORCES	* R1	* R2
RAIL WEIGHT 1	500 Lbf	1570 Lbf
RAIL WEIGHT 2	80 lbf / ft	75

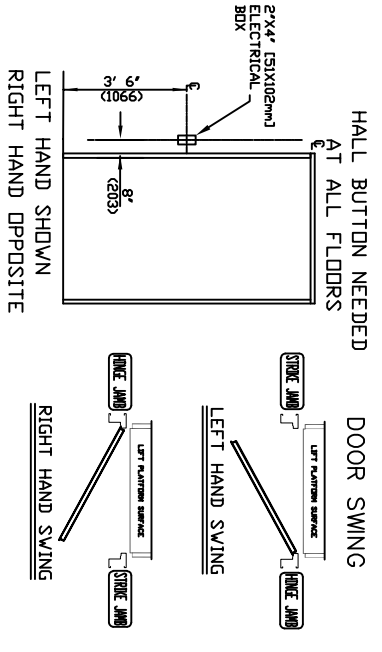


TABLE 2
PIT RE-ACTION FORCE

PIT RE-ACTION FORCE	6000 LBS
R3	3000 LBS
R4	3000 LBS
R5	9900 LBS

LOADS ON PIT

FOR TOTAL PULL-OUT FORCE ON RAIL BRACKET, 402 x 720 = 1440 lbf FOR LOCAL APPLICATION OF PIT LOAD, R1 MUST BE DOUBLED.

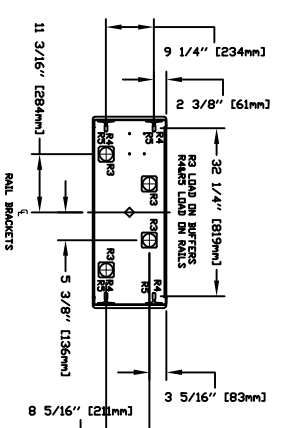
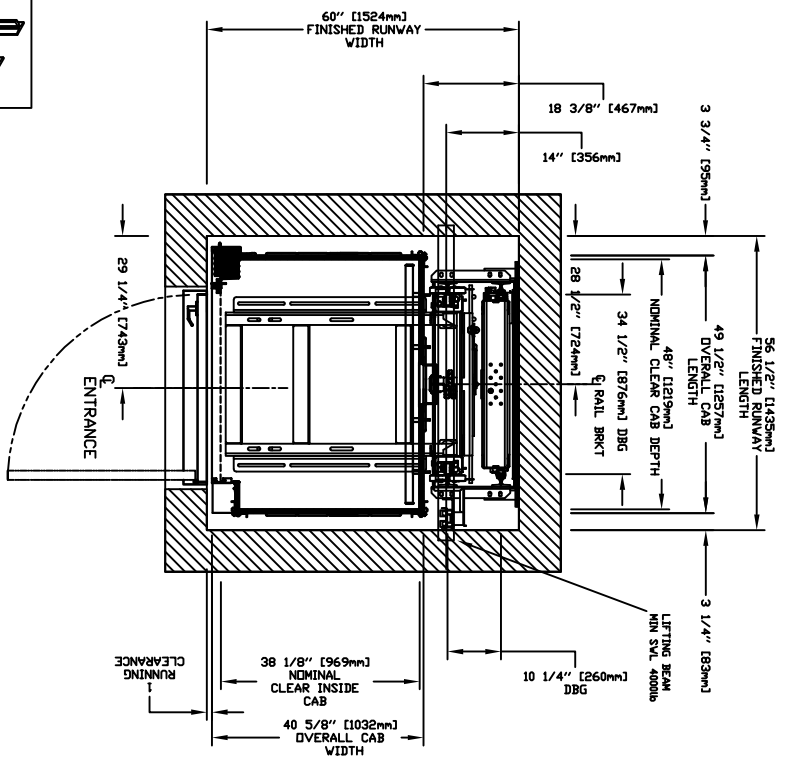


TABLE 3
REQUIRED THE BEAM

WIRE & EQUIP	NO AMPS	20 AMPS	30 AMPS	40 AMPS	50 AMPS	60 AMPS	70 AMPS	80 AMPS	90 AMPS	100 AMPS	110 AMPS	120 AMPS	130 AMPS	140 AMPS	150 AMPS	160 AMPS	170 AMPS	180 AMPS	190 AMPS	200 AMPS
WIRE	18	18	18	18	18	18	18	18	18	18	18	18	18	18	18	18	18	18	18	18
EQUIP	18	18	18	18	18	18	18	18	18	18	18	18	18	18	18	18	18	18	18	18
WIRE & EQUIP	18	18	18	18	18	18	18	18	18	18	18	18	18	18	18	18	18	18	18	18
WIRE	18	18	18	18	18	18	18	18	18	18	18	18	18	18	18	18	18	18	18	18
EQUIP	18	18	18	18	18	18	18	18	18	18	18	18	18	18	18	18	18	18	18	18

ELECTRICAL
 SEE SPECIFICATIONS. UPGRADABLE CUSED DISCONNECT WITH AUXILIARY CONTACT TO BREAK THE BATTERY FEED, OR CIRCUIT BREAKERS WITH A 3-POLE BREAKER FOR BATTERY FEED REQUIRED. IN COMPLIANCE WITH ELECTRICAL CODE, AS FOLLOWS:
 LOCATED ON WALL OR LOCK JAMB SIDE OF MACHINE ROOM DOOR.
 MUST BE SELF-CLOSING.
 INSTALLATION CAN BE IN PERMANENT POSITION.
 LIGHTING - THE ILLUMINATION SHALL BE NOT LESS THAN 200 LX (19 FD) AT THE FLOOR LEVEL IN ALL MACHINE ROOMS AND MACHINERY SPACES. ENSURE AT LEAST 100 LX (10 FD) AMBIENT LIGHTING OVER LEFT AREA. PHONE - NEED A DEDICATED PHONE LAND LINE.

ENTRANCES
 EXTERIOR PANEL MUST BE FASTENED TO SUBSTRATE AND BE PERPENDICULAR TO THE FLOOR AND WALLS. HOST/VAI FASCIA IS NOT SELF-SUPPORTING FOR LING. CONTINUOUS RAILS VOID OF ENTRANCES. ADEQUATE SUPPORT FOR THE FASCIA MUST BE PROVIDED.

WIRE LIFTING BEAM
 A 400LB MIN SWL BEAM MUST BE PROVIDED IN THE MACHINE ROOM. THE BEAM MUST BE FASTENED TO THE FLOOR AND WALLS. ELEVATION & PLAN VIEWS FOR OVERHEAD OF 100' POSITION THE UNDERSIDE OF BEAM AT 104' & BEAM MUST BE TEMPORARY.

NOTE C
 ALL INFORMATION IS SUBJECT TO CHANGE. PLEASE REFERENCE OUR ON-LINE DRAWINGS AT WWW.SAVARIA.COM FOR THE MOST RECENT UPDATES.

RESIDENTIAL ELEVATOR
 ZENITH MODEL 36X48 TYPE 5-7

CUSTOMER: _____
 PROJECT: _____
 LOCATION: _____

DATE: _____
 DESIGN DATE: _____
 COMPLETED BY: _____

THE INFORMATION CONTAINED HEREIN IS THE EXCLUSIVE PROPERTY OF SAVARIA. NO PART OF THIS DOCUMENT IS TO BE REPRODUCED OR TRANSMITTED IN ANY FORM OR BY ANY MEANS, ELECTRONIC OR MECHANICAL, INCLUDING PHOTOCOPYING, RECORDING, OR BY ANY INFORMATION STORAGE AND RETRIEVAL SYSTEM, WITHOUT PERMISSION IN WRITING FROM SAVARIA.

savaria

SHEET 7
 1/1