

PROVISIONS BY OTHERS

\*GENERAL

HOISTWAY- THE HOISTWAY MUST BE IN ACCORDANCE WITH SAFETY CODE FOR ELEVATORS AND ESCALATORS (ASME A17.1) AND ALL STATE AND LOCAL CODES. RUNNING CLEARANCES DIMEN/AGENT MUST ENSURE THAT HOISTWAY AND PIT (WHERE PROVIDED) ARE LEVEL, PLUMB AND SQUARE AND ARE IN ACCORDANCE WITH THE DIMENSIONS ON THESE DRAWINGS.

\*MACHINE ROOM (WHERE REQUIRED)  
LOCATION / ACCESS- MACHINE ROOM LOCATED AT THE LOWEST LEVEL ADJACENT TO HOISTWAY, UNLESS SHOWN OTHERWISE ON THE LAYOUT DRAWINGS. FIELD ADJUSTMENT BY INSTALLER MAY BE NECESSARY TO MEET JOB SITE CONDITIONS OR REGULATIONS. MACHINE ROOM DOOR IS TO BE LOCKABLE AND IS TO MEET THE REQUIREMENTS OF THE AUTHORITY HAVING JURISDICTION. SLEEVES FOR ELECTRIC LINES- FROM MACHINE ROOM TO HOISTWAY AS REQUIRED. POSITION PER INSTALLER'S INSTRUCTIONS.

\*STRUCTURAL  
FLOOR/SUBFLOOR WALL LOADS- STRUCTURE TO ANCHOR A CRANK SHaft AND SAFETY HARNESS, WHERE APPLICABLE/NEEDED, TO BE PROVIDED BY CONTRACTOR. CONTRACTOR TO ASSURE THAT BUILDING AND SHaft WALL SAFELY SUPPORT ALL LOADS THIS IMPOSED BY THE LIFT EQUIPMENT, REFER TO TABLES ON THIS DRAWING FOR LOADS IMPOSED BY THE EQUIPMENT.

\*ELECTRICAL  
POWER SUPPLY- (SEE SPECIFICATIONS) LOCKABLE FUSED DISCONNECT WITH AUXILIARY CONTACT TO BREAK THE BATTERY FEED, OR CIRCUIT BREAKERS WITH A 3-POLE BREAKER FOR BATTERY FEED REQUIRED, IN COMPLIANCE WITH ELECTRICAL CODE, AS FOLLOWS:  
LOCATED ON WALL ON LOCK JAMB SIDE OF MACHINE ROOM DOOR  
PERMANENT POWDER- BEFORE INSTALLATION CAN BEGIN, PERMANENT POWDER MUST BE SUPPLIED.

TABLE 3

DISCONNECT THE DELTA	FLA
MOTOR & EQUIP 30 AMPS 208 volt	28.9 AMPS
MOTOR & EQUIP 60 AMPS 220 volt	58.0 AMPS
CAB LIGHTS 15 AMPS 115 V	15.0 AMPS

NOTE C  
ALL INFORMATION IS SUBJECT TO CHANGE.  
PLEASE REFERENCE OUR ON-LINE DRAWINGS AT WWW.SAVARIA.COM FOR THE MOST RECENT UPDATES

\*ENTRANCES  
FASCIA PANEL BELOW UPPER LEVEL ENTRANCE- WHERE REQUIRED, FASCIA PANEL MUST BE FASTENED TO A SOLID WALL, AND BE PERMANENTLY SELF-SUPPORTING FOR LONG HORIZONTAL RUNS VOID OF ENTRANCES. ADEQUATE SUPPORT FOR THE FASCIA MUST BE PROVIDED.

NOTE LETTING BEAM  
A 4000LB MIN SVL BEAM MUST BE PROVIDED IN THE OVERHEAD BEAM TO BE POSITIONED AS SHOWN IN ELEVATION & PLAN VIEWS. FOR OVERHEAD OF 108" POSITION THE UNDERSIDE OF BEAM AT 104" & BEAM MUST BE TEMPORARY.

L/B LOCATED IN THE H/W CEILING

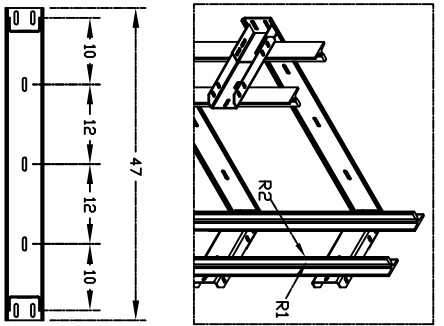
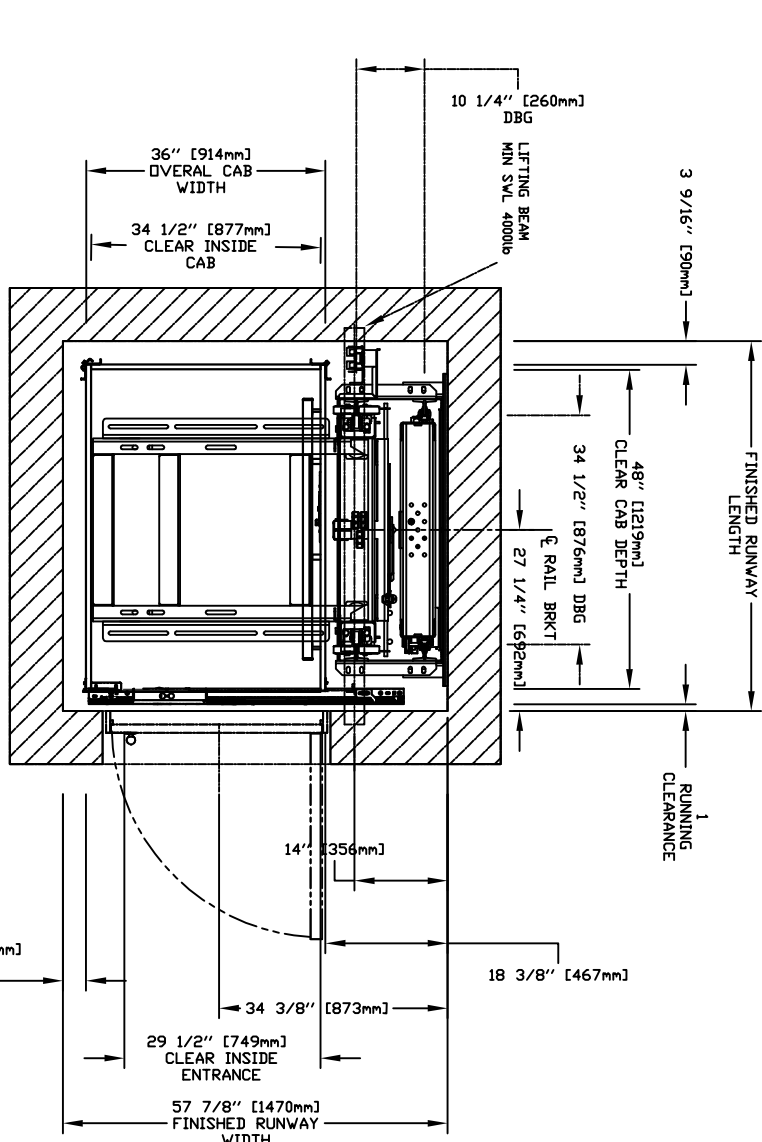
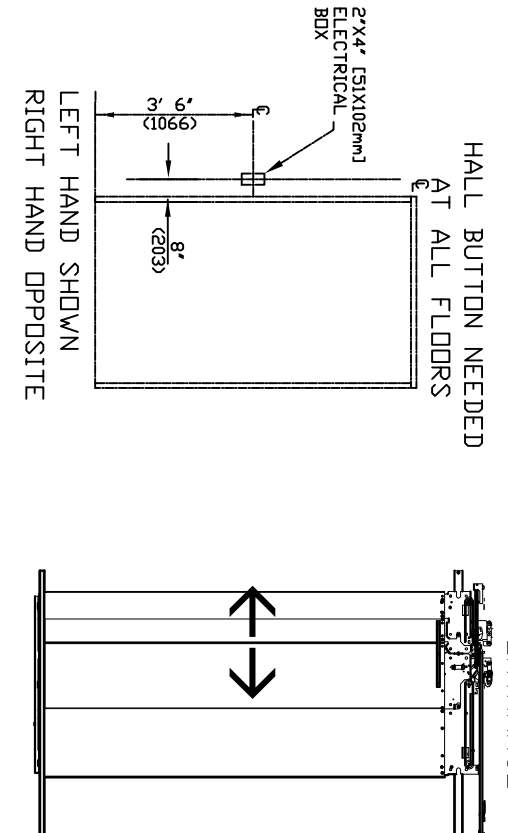
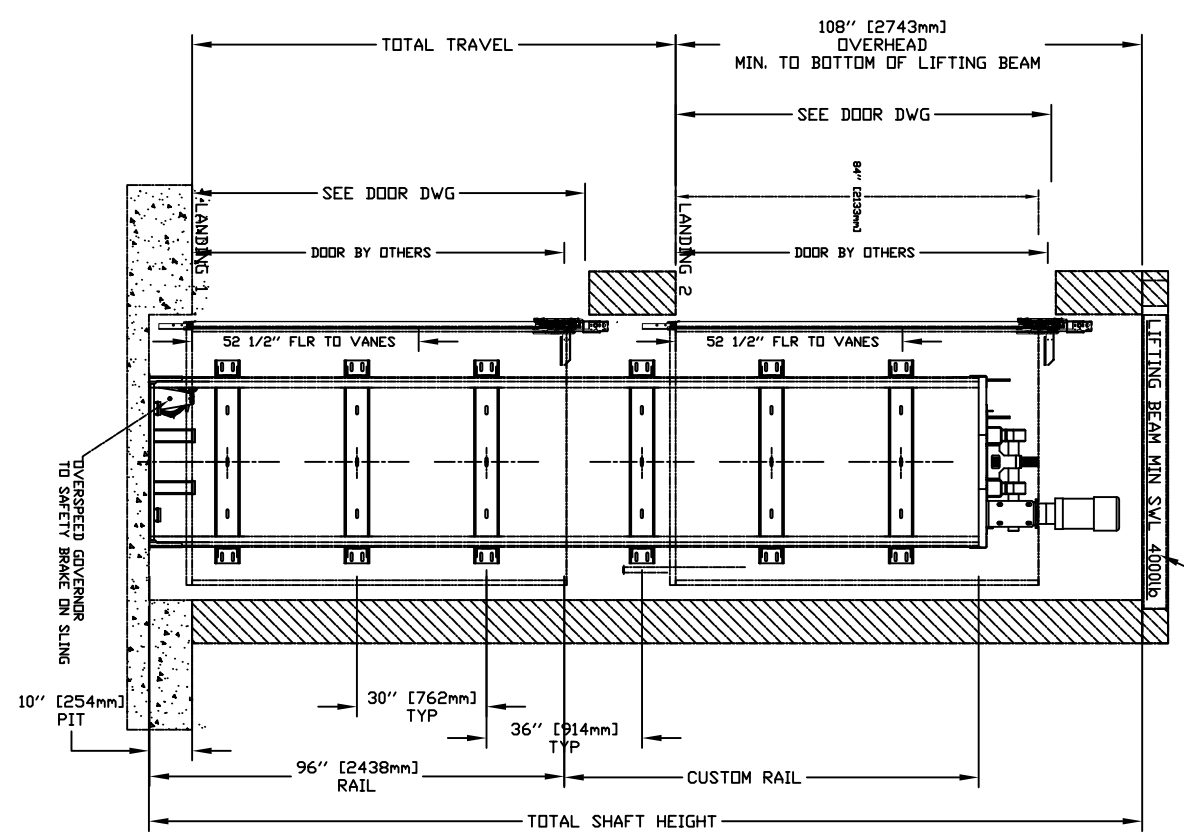
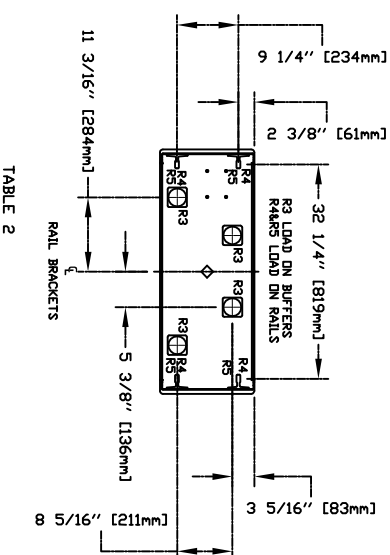


TABLE 1

RAIL FORCES	
*R1	*R2
500 lbf	1570 lbf
RAIL WEIGHT: 80 lbs / ft	

TABLE 2

PIT RE-ACTION FORCE	
R3	8000 LBS
R4	3000 LBS
R5	9500 LBS



RESIDENTIAL ELEVATOR

ZENITH MODEL 36X48 TYPE 1R-29 1/2 + SWING

CUSTOMER:	DATE:
PROJECT:	INSTALL DATE:
LOCATION:	COMPLIANT BY:

THE INFORMATION DISCLOSED HEREIN IS THE EXCLUSIVE PROPERTY OF Savaria.

AND MAY NOT BE USED BY OTHERS WITHOUT PRIOR WRITTEN CONSENT

SHEET 1/1