

PROVISIONS BY OTHERS

GENERAL
 HOISTWAY - THE HOISTWAY MUST BE IN ACCORDANCE WITH SAFETY CODE FOR ELEVATORS AND ESCALATORS (ASME A17.1) AND ALL STATE AND LOCAL CODES.
 RUMBLE HOISTWAY - DUE TO CLOSE RUNNING CLEARANCES DIVERGENT MUST ENSURE THAT HOISTWAY AND PIT CHAMBER PROVIDED THE MINIMUM CLEARANCE DIMENSIONS ARE IN ACCORDANCE WITH THE DIMENSIONS ON THESE DRAWINGS.
 MINIMUM DIVERGENT CLEARANCE - DIVERGENT MUST ENSURE MINIMUM DIVERGENT CLEARANCE IS IN COMPLIANCE WITH CODES.
 CONSTRUCTION SITE - DIVERGENT TO PROVIDE ALL MASONRY, WALLS/FLOORS MAY REQUIRE TO BE CUT, DRILLED OR ALTERED IN ANY WAY TO PERMIT THE PROPER INSTALLATION OF THE LIFT.
 DIMENSIONS - CUSTOMER TO VERIFY ALL DIMENSIONS AND REPORT ANY DISCREPANCIES TO OUR OFFICE IMMEDIATELY.
 STRUCTURAL
 FLOOR/SUPPORT WALL LOADS - STRUCTURE TO ANCHOR A GRADE SHIRT AND SAFETY HARNESS, WHERE APPLICABLE/NEEDED, TO BE PROVIDED BY CONTRACTOR. CONTRACTOR TO ASSURE THAT BUILDING AND SHIRT WALL SAFELY SUPPORT ALL LOADS IMPOSED BY THE LIFT EQUIPMENT, REFER TO THE TABLES ON THIS DRAWING FOR LOADS IMPOSED BY THE EQUIPMENT.
 MACHINE ROOM (WHERE REQUIRED)
 LEADING ACCESS - MACHINE ROOM (REQUIRED) AT THE LOWEST LEVEL, LEADING ACCESS TO MACHINE ROOM SHALL BE PROVIDED BY THE CONTRACTOR. FIELD ADJUSTMENT BY INSTALLER MAY BE NECESSARY TO MEET JOB SITE CONDITIONS OR REGULATIONS.
 MACHINE ROOM DOOR IS TO BE LOCKABLE AND IS TO MEET THE REQUIREMENTS FOR FIRE RESISTANCE.
 SLIVERS FOR ELECTRICAL LINES - FROM MACHINE ROOM TO HOISTWAY AS REQUIRED. POSITION PER INSTALLERS INSTRUCTIONS.

TABLE 3
 WIRE & EQUIP. (60 AMPS) 40 AMP/30 VOLT SWG RINGS 350 AMPS CAB LIGHTS 15 AMP/115 AMPS 115 V SWG RINGS

WIRE SIZE	CONDUCTOR	VOLTS	PHASE	FLA
12 AWG	3	115 V	3	350 AMPS
14 AWG	3	115 V	3	350 AMPS

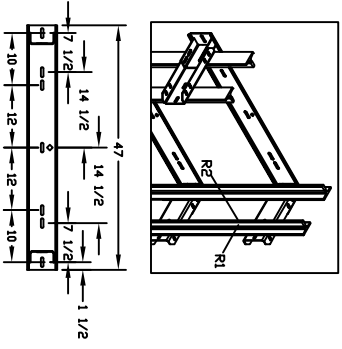
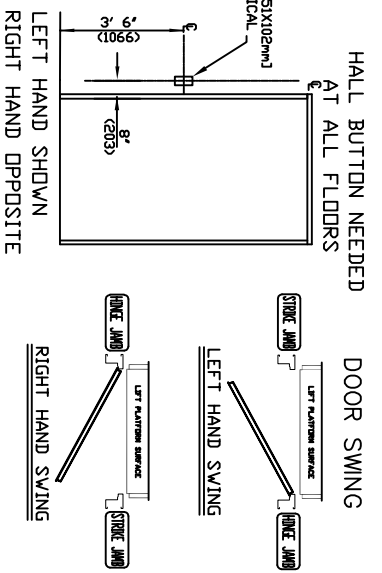
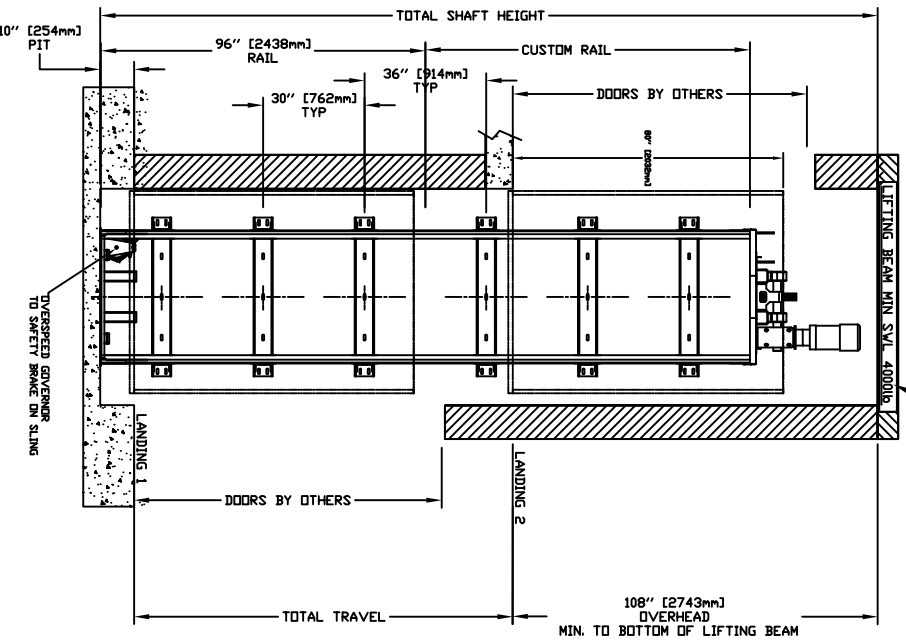
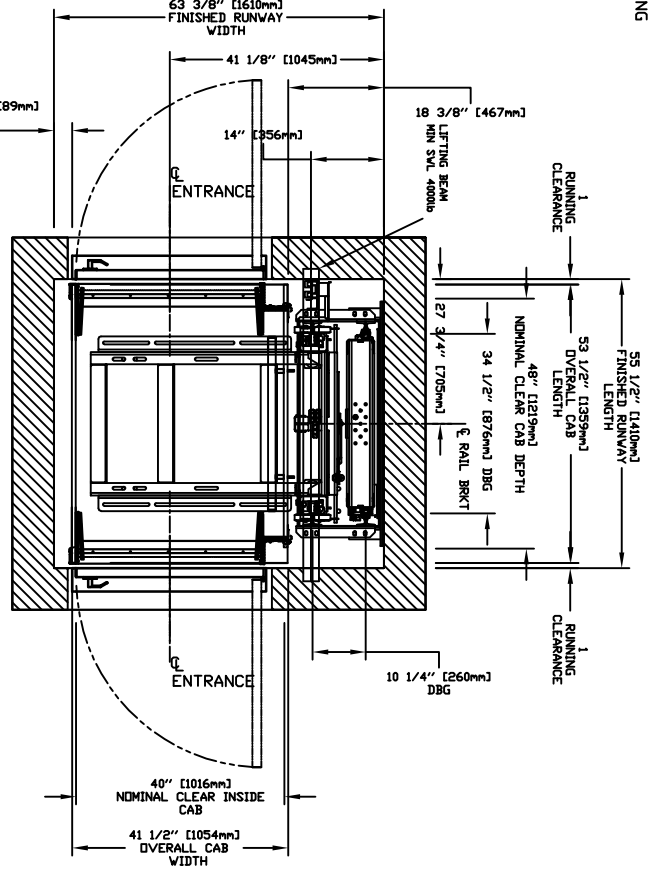


TABLE 1
 RAIL FORCES

RAIL WEIGHT (80 lbs / 7 ft)	*R1	*R2
500 lb-ft	1570 lb-ft	16-ft

FOR TOTAL FULL-LOAD FORCE ON RAIL BRACKET, USE 500 LB-FT FOR LOCAL APPLICATION OF PIT LOAD, R1 MUST BE DOUBLED.

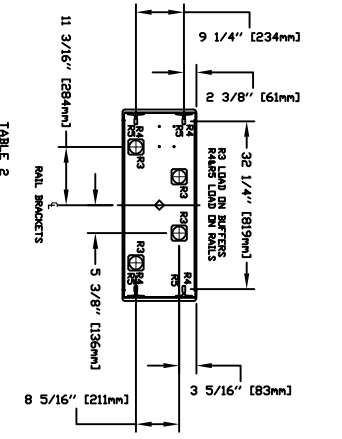


TABLE 2
 PIT RE-ACTION FORCE

LOADS ON PIT	R3	R4	R5
8000 LBS			
3000 LBS			
9500 LBS			

NOTE C
 ALL INFORMATION IS SUBJECT TO CHANGE. PLEASE REFERENCE OUR ON-LINE DRAWINGS AT WWW.SAVARIA.COM FOR THE MOST RECENT UPDATES.

ENTRANCES
 FASCIA PANEL BEHIND UPPER LEVEL ENTRANCE, WHERE REQUIRED, SHALL BE FASTENED TO A STRUCTURAL WALL AND BE PROVIDED WITH A SELF-SUPPORTING FOR LING, CONTINUOUS RINGS VOID OF ENTRANCES. ABSOLUTE SUPPORT FOR THE FASCIA MUST BE PROVIDED.
 LIFTING BEAM
 A 4000 LB MIN SVL BEAM MUST BE PROVIDED IN THE ENVELOPE BEAM AND BE RESTRICTED TO SPAN IN POSITION THE UNDERSIDE OF BEAM AT 104\"/>

RESIDENTIAL ELEVATOR
 ZENITH MODEL 40X48 TYPE 2

CUSTOMER:	DATE:
PROJECT:	DESIGNER:
LOCATION:	COMPILED BY:

THE INFORMATION CONTAINED HEREIN IS THE EXCLUSIVE PROPERTY OF SAVARIA.
 AND MAY NOT BE USED BY OTHERS WITHOUT WRITTEN CONSENT.

savaria

SHEET 1/1