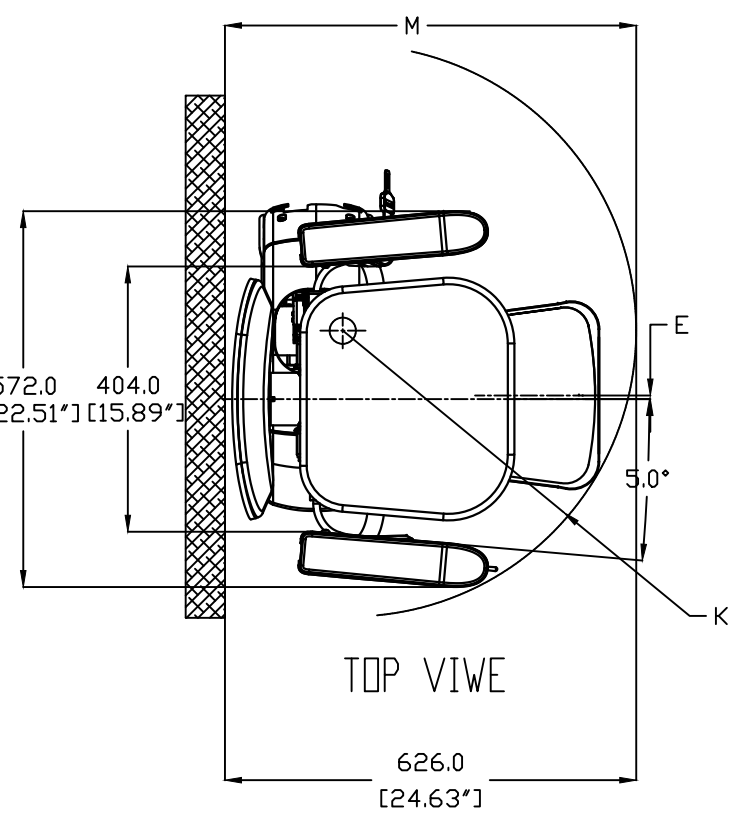
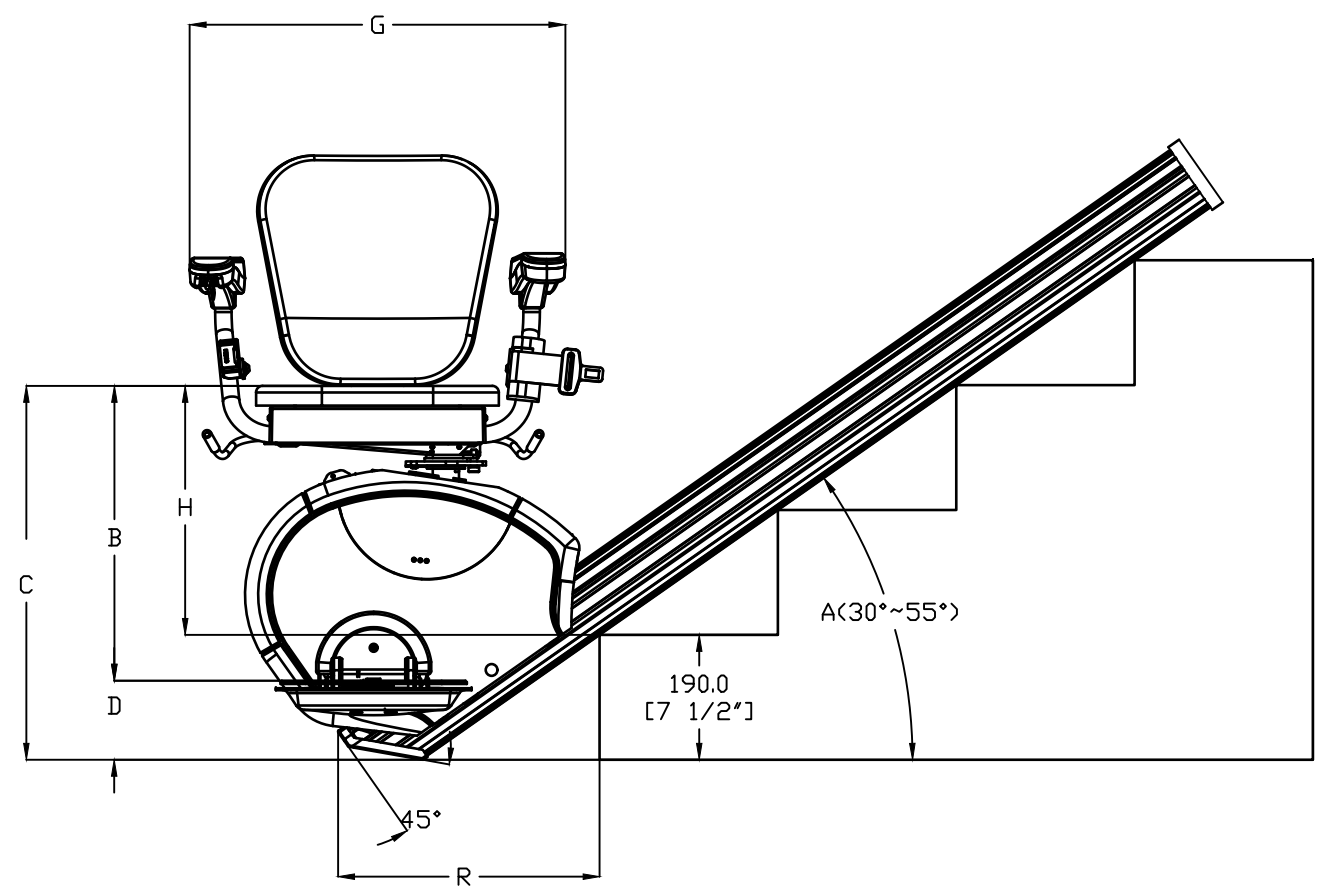
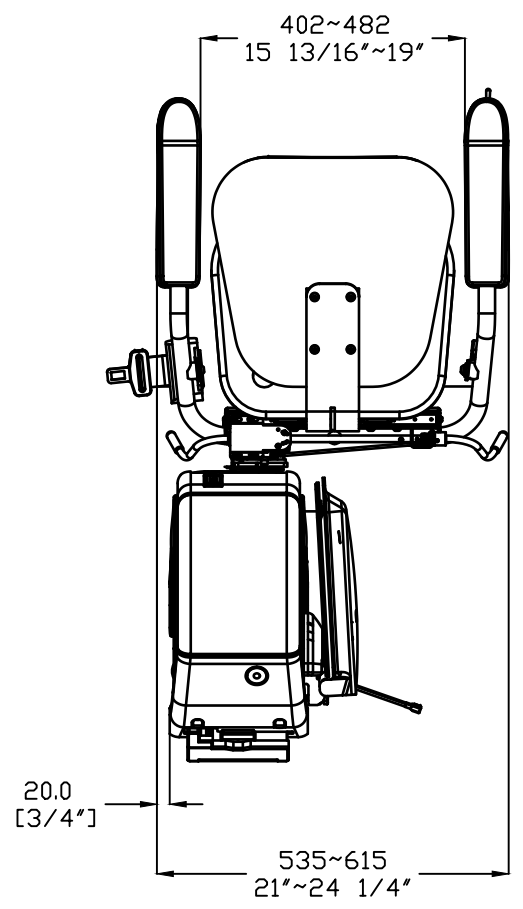
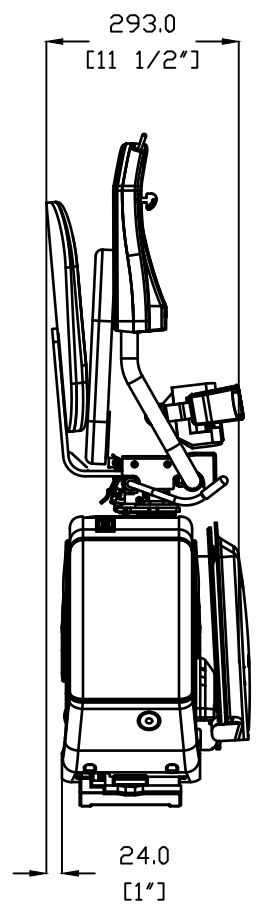
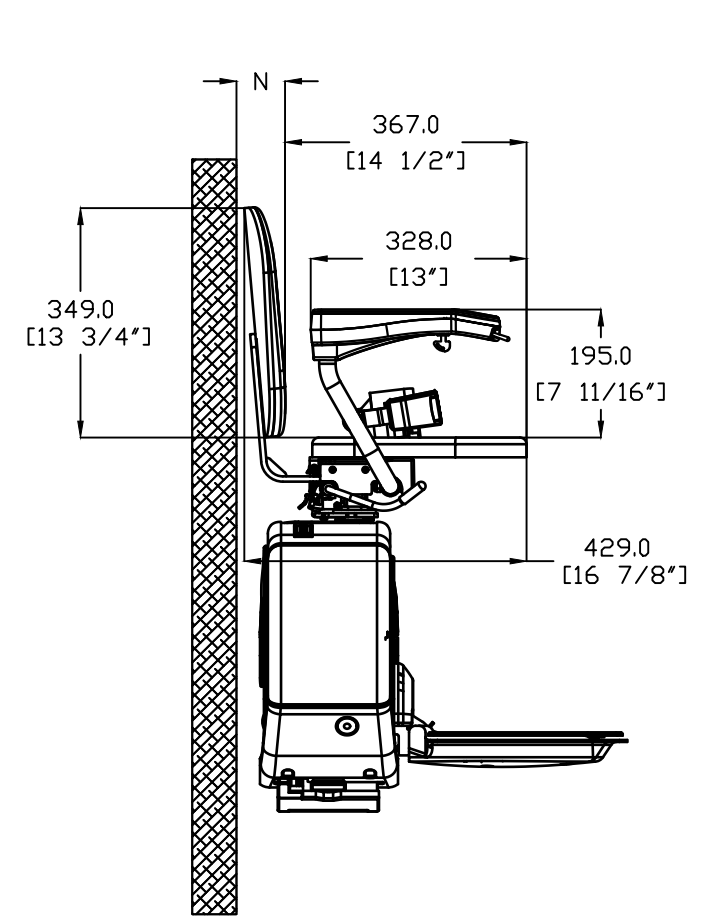


# K2 Plus L-seat

REVISIONS			
REV	ECD NO.	DATE	REVISED BY



A(31°~55°)	B	C	D	E	G	H	R
31°	16 11/16" (424mm)	21 5/8" (550mm)	4 15/16" (126mm)	3/8" (10mm)	24 13/16" (631mm)	14 3/16" (360mm)	16 1/8" (409mm)
35°	16 15/16" (430mm)	21 13/16" (554mm)	4 7/8" (124mm)	3/16" (5mm)	24 1/16" (611mm)	14 5/16" (363mm)	14 7/16" (367mm)
40°	17 1/8" (435mm)	22 1/16" (561mm)	4 15/16" (126mm)	15/16" (24mm)	23 1/4" (591mm)	14 9/16" (370mm)	12 13/16" (326mm)
45°	17 1/4" (438mm)	21 15/16" (557mm)	4 11/16" (119mm)	1 3/4" (44mm)	23 3/16" (589mm)	14 7/16" (367mm)	11 1/2" (292mm)
50°	17 5/16" (440mm)	22 1/8" (562mm)	4 13/16" (122mm)	2 1/2" (64mm)	22 15/16" (582mm)	14 5/8" (371mm)	10 1/8" (257mm)
55°	17 5/16" (440mm)	22 1/4" (565mm)	4 15/16" (125mm)	3 1/4" (83mm)	22 7/8" (581mm)	14 3/4" (374mm)	8 15/16" (227mm)

	(SEAT WIDTH)	K (TURNING RADIUS)	M (MAX DISTANCE)	N (WALL TO FRONT OF BACK REST)
SEAT AT NORMAL WIDTH	17 1/4" (438mm)	17 1/8" (435mm)	24 5/8" (625.6 mm)	2 15/16" (74mm)
SEAT AT MIDDLE WIDTH	18 13/16" (478mm)	17 13/16" (453mm)	25 11/16" (652mm)	3 11/16" (93mm)
SEAT AT BIGGEST WIDTH	20 3/8" (518mm)	18 9/16" (471mm)	27 13/16" (690mm)	4 7/16" (113mm)

THE INFORMATION DISCLOSED HEREIN IS THE EXCLUSIVE PROPERTY OF

UNLESS OTHERWISE SPECIFIED ALL DIMENSIONS ARE IN INCHES. ALL DIMENSIONS IN ( ) ARE METRIC. TOLERANCES IN:

X = ±.1 [X±.3]  
 .XX = ±.03 [XX±.08]  
 .XXX = ±.010 [XXX±.025]  
 ANGLES X ° = ±2° X' = ±.5'

DO NOT SCALE DRAWING

REMOVE ALL BURRS & SHARP CORNERS

DESIGNED BY: DATE: SCALE: 1:1

DRAWN BY: DATE: 2015-12-11 DRAFTER:

TITLE: L-SEAT DIMENSIONAL LAYOUT

MATERIAL:

FINISH:

SHEET 1 OF 2

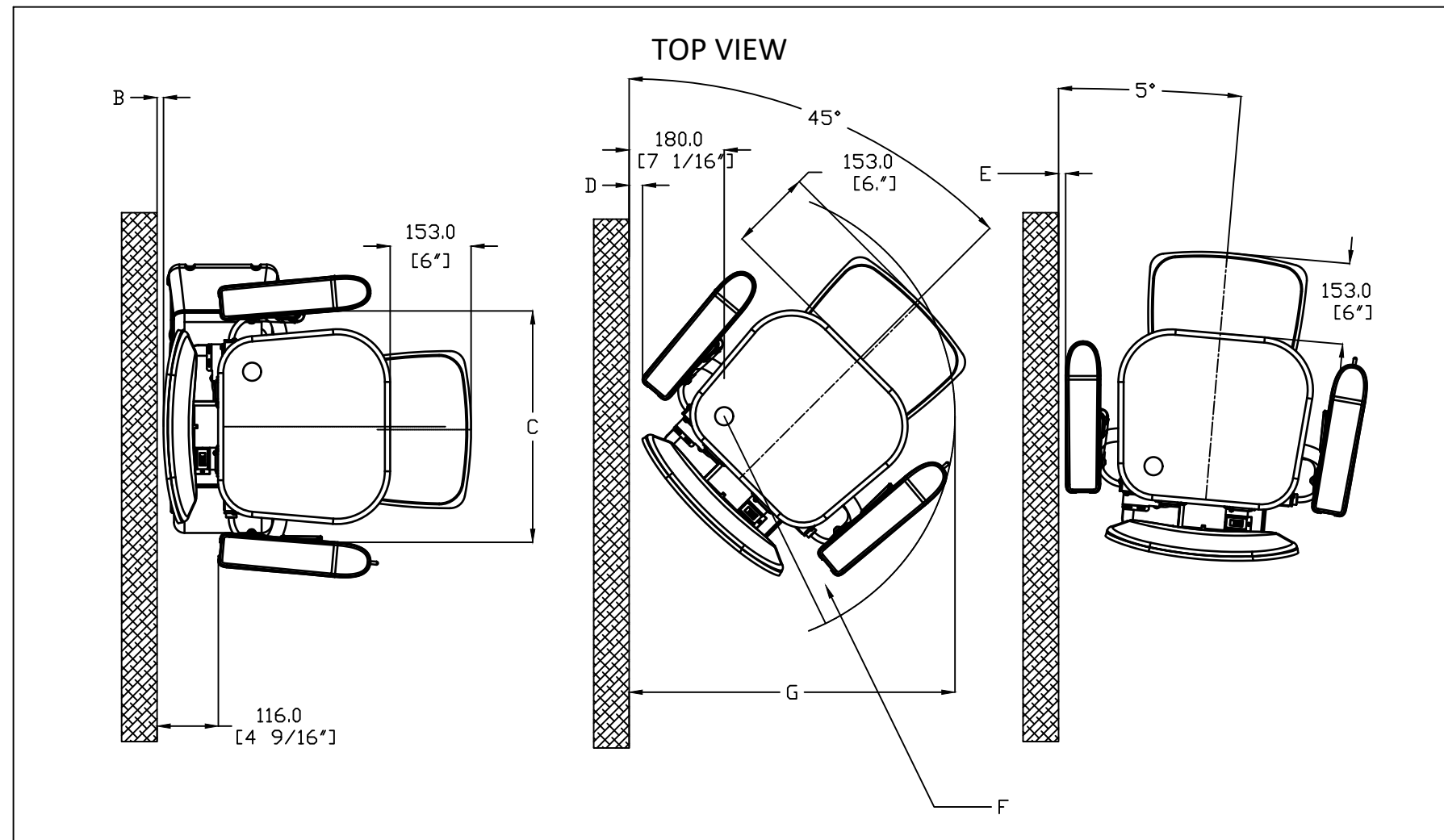
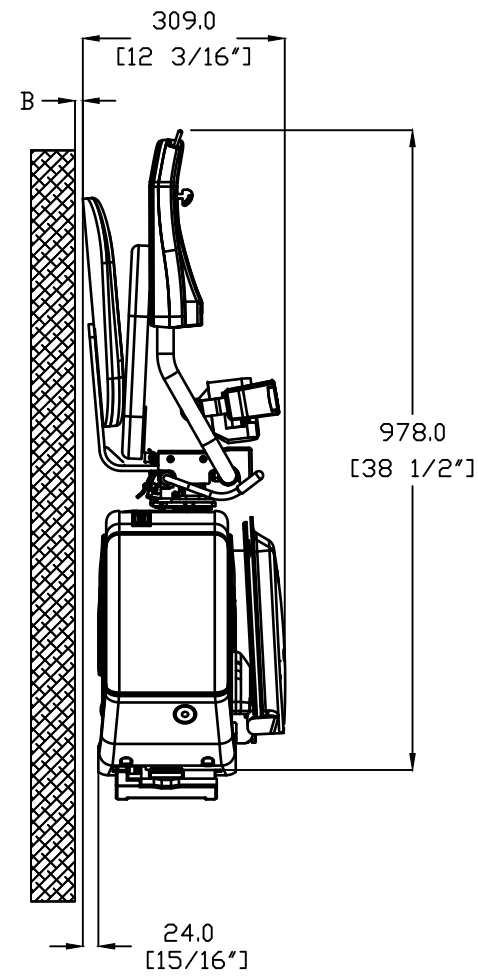
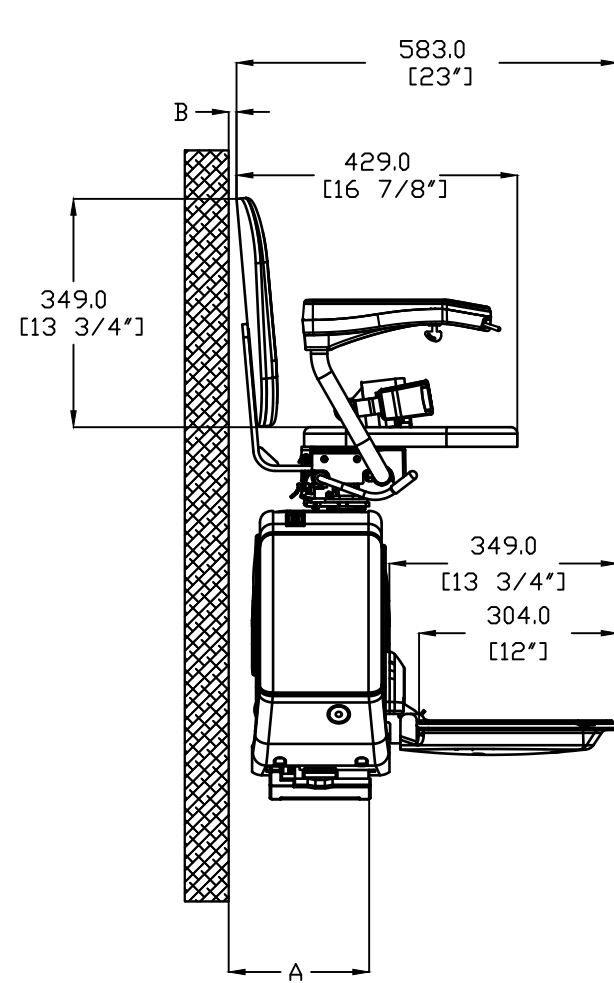
DRAWING NO:

REVISION:

VERSION

SIZE B

REVISIONS			
REV	ECD NO.	DATE	REVISED BY



	A (RAIL FRONT TO WALL)	B (SEAT BACK TO THE WALL)	C (SEAT WIDTH)	D (ARM TO WALL AT 45°)	E (ARM TO WALL AT 85°)	F (TURNING RADIUS)	G (MAX DISTANCE)
SEAT AT NORMAL WIDTH	7 7/8" (199mm)	1/2" (12mm)	17 1/4" (438mm)	1" (25mm)	1/2" (13mm)	17 1/4" (437mm)	24 1/4" (617mm)
SEAT AT MIDDLE WIDTH	8 3/4" (223.2mm)	1 1/4" (31mm)	18 3/4" (478mm)	1" (27mm)	1/2" (13mm)	17 7/8" (453mm)	25 5/8" (652mm)
SEAT AT BIGGEST WIDTH	9 5/8" (243.2mm)	2 1/4" (51mm)	20 3/8" (518mm)	1 3/8" (34mm)	1/2" (13mm)	18 1/2" (471mm)	27 1/8" (690mm)

THE INFORMATION DISCLOSED HEREIN IS THE EXCLUSIVE PROPERTY OF **savaria.** AND MAY NOT BE USED BY OTHERS WITHOUT PRIOR WRITTEN CONSENT.

UNLESS OTHERWISE SPECIFIED ALL DIMENSIONS ARE IN INCHES. ALL DIMENSIONS IN ( ) ARE METRIC. TOLERANCES ON:  
 X= ±.1 (X≠.3)  
 XX= ±.03 (XX= ±.08)  
 XXX= ±.010 (XXX= ±.025)  
 ANGLES X °=±2° .X °=±.5°

DO NOT SCALE DRAWING  
 REMOVE ALL BURRS & SHARP CORNERS

DESIGNED BY: DATE: SCALE: 1:1  
 DRAWN BY: DATE: 2015-12-11 DRAFTER:  
 FINISH: SHEET 2 OF 2 DRAWING NO:

TITLE: L-SEAT MOUNTING DIMENSION

REVISION: VERSION SIZE B