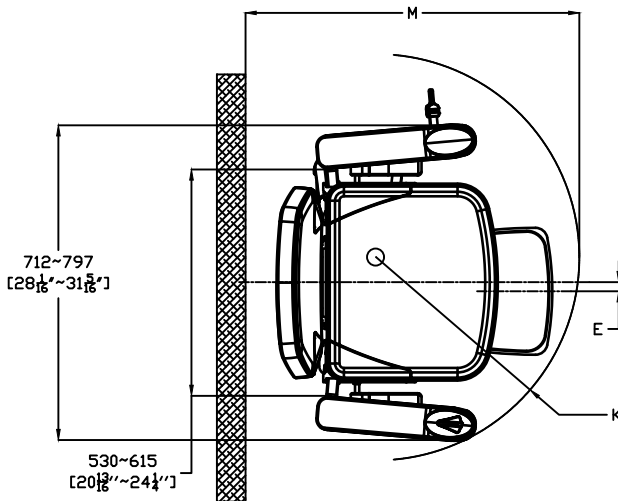
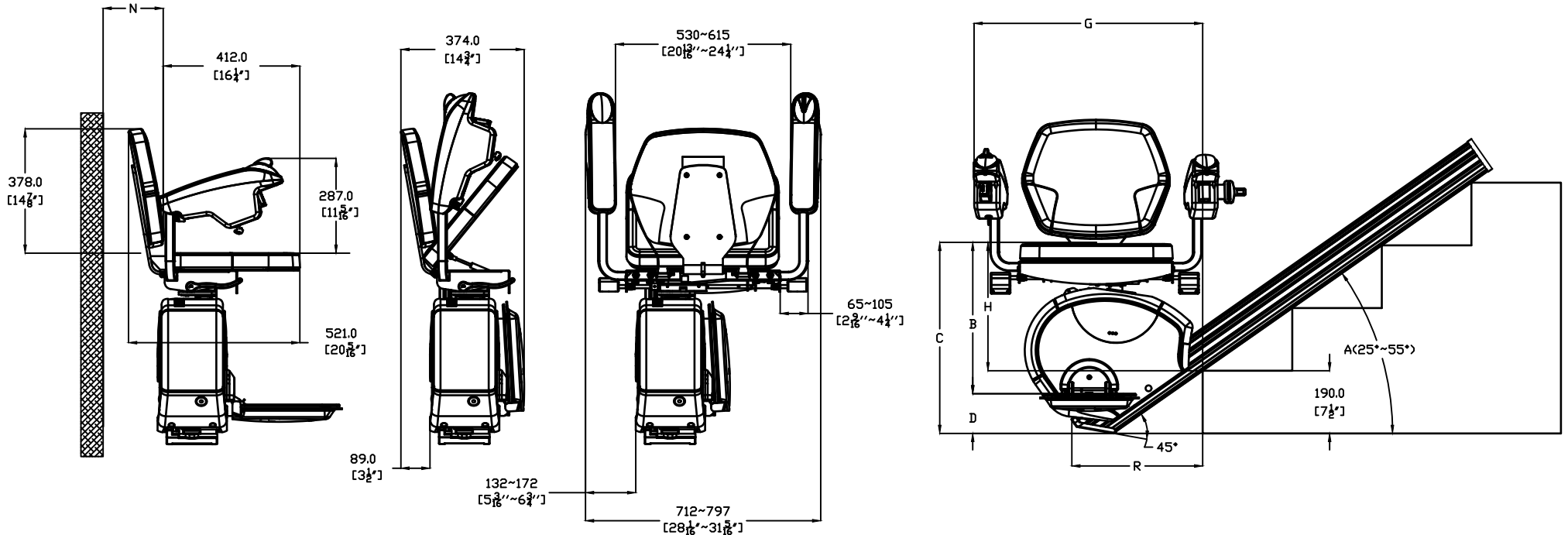


# Plus-Seat LH

REVISIONS			
REV	ECO NO.	DATE	REVISED BY



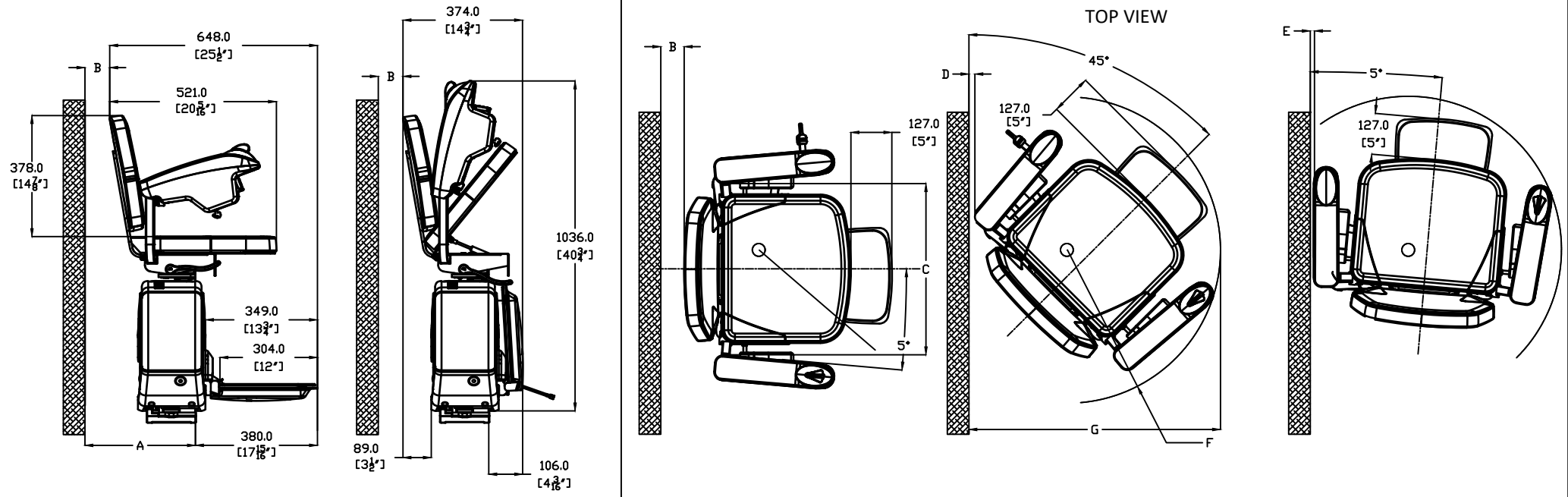
A(25°~55°)	B	C	D	E	G(S)	G(N)	G(B)	H	R
25°	17 7/8\"/>								

NOTE: The range of rail angle for the commercial lift is from 25° to 45°.

	(SEAT WIDTH)	K (TURNING RADIUS)	M (MAX DISTANCE)	N (WALL TO FRONT OF BACK REST)
SEAT AT SMALL WIDTH	20 1/8\"/>			

	<small>THE INFORMATION DISCLOSED HEREIN IS THE EXCLUSIVE PROPERTY OF SAVARIA INC.</small> <small>UNLESS OTHERWISE SPECIFIED ALL DIMENSIONS ARE IN INCHES. ALL DIMENSIONS IN ( ) ARE METRIC. TOLERANCES IN INCHES: X±.1 (X=3) (X=4) ±.03 (X=6) ±.05 (X=10) (XXX) ±.025 (XXX) ±.010 (XXX) ±.025 ANGLES X ° ±.2° X' ±.5'</small>		DO NOT SCALE DRAWING	REMOVE ALL BURRS & SHARP CORNERS	REVISION: 000
	<small>AND MAY NOT BE USED BY OTHERS WITHOUT PRIOR WRITTEN CONSENT</small>	DESIGNED BY: TEJINDER	DATE: 2019-5-13	SCALE: 1:1	2019-5-13
TITLE: PLUS-SEAT DIMENSIONAL LAYOUT	MATERIAL: N/A	DRAWN BY: TEJINDER	DATE: 2019-5-13	DRAFTER: TEJINDER	VERSION
	FINISH: N/A	SHEET 1 OF 2		DRAWING NO:	SIZE B

REVISIONS			
REV	ECD NO.	DATE	REVISED BY



	A (RAIL FRONT TO WALL)	B (SEAT BACK TO THE WALL)	C (SEAT WIDTH)	D (ARM TO WALL AT 45°)	E (ARM TO WALL AT 85°)	F (TURNING RADIUS)	G (MAX DISTANCE)
SEAT AT NORMAL WIDTH	13 $\frac{7}{16}$ " (342mm)	2 $\frac{15}{16}$ " (75mm)	20 $\frac{1}{8}$ " (536mm)	$\frac{11}{16}$ " (18mm)	$\frac{1}{2}$ " (13mm)	18 $\frac{13}{16}$ " (478mm)	30 $\frac{15}{16}$ " (785 mm)
SEAT AT SMALL WIDTH	12 $\frac{11}{16}$ " (322mm)	2 $\frac{3}{16}$ " (55mm)	20 $\frac{3}{8}$ " (530mm)	$\frac{1}{2}$ " (13mm)	$\frac{1}{2}$ " (13mm)	18 $\frac{1}{8}$ " (461mm)	29 $\frac{7}{16}$ " (748mm)
SEAT AT BIG WIDTH	14 $\frac{1}{4}$ " (362mm)	3 $\frac{3}{4}$ " (95mm)	24 $\frac{1}{4}$ " (615mm)	$\frac{7}{8}$ " (23mm)	$\frac{1}{2}$ " (13mm)	19 $\frac{1}{2}$ " (495mm)	32 $\frac{3}{8}$ " (822mm)

THE INFORMATION DISCLOSED HEREIN IS THE EXCLUSIVE PROPERTY OF

**savaria**

UNLESS OTHERWISE SPECIFIED ALL DIMENSIONS ARE IN INCHES. ALL DIMENSIONS IN ( ) ARE METRIC.  
 TOLERANCES IN:  
 X" ±.1 (X= .3)  
 XX" ±.03 (XX= ±0.8)  
 XXX" ±.010 (XXX= ±0.25)  
 ANGLES X ° ±.2° X' ±.5°

DO NOT SCALE DRAWING  
 DESIGNED BY: TEJINDER  
 DRAWN BY: TEJINDER  
 MATERIAL: N/A  
 FINISH: N/A

REMOVE ALL BURRS & SHARP CORNERS  
 DATE: 2019-5-13  
 DATE: 2019-5-13  
 SCALE: 1:1  
 DRAFTER: TEJINDER

TITLE: PLUS-SEAT MOUNTING DIMENSION

SHEET 2 OF 2

REVISION: 000  
 2019-5-13  
 VERSION  
 SIZE B