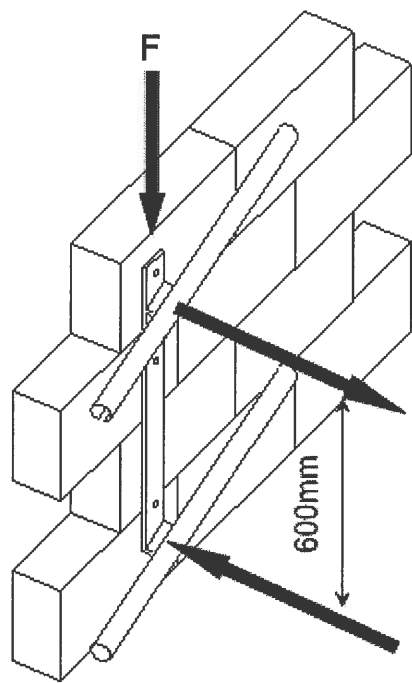


SUPPORT LOAD DIAGRAM

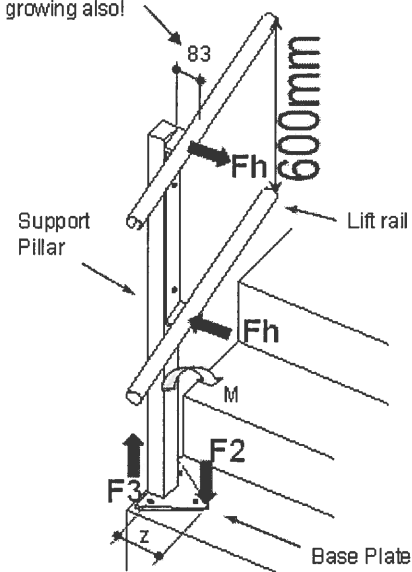
WALL BRACKET:



F = 3700 N (831.8 lb_f)
F_h = 2768.4 (622.37 lb_f)

SELF SUPPORT POST:

Attention!
If this distance becomes larger, the forces are growing also!



PILLAR FORCES	Z	F2	F3
BASE PLATE	150mm	13120N	9420N

SPECIFICATIONS

GENERAL

CLASSIFICATION: UNENCLOSED STAIRPLATFORM LIFT
 APPLIED CODE: ASME A18.1 Sec.6 (Priv.)/Sec.3 (Pub.),CSA B355 09
 MODEL: OMEGA, OMEGA PLUS, OMEGA MAX
 CAPACITY: 550 lbs [250 kg], 660 lbs [300 Kg]
 ONE PERSON IN WHEELCHAIR
 SPEED: 13.78 ft/min [0.07 m/s]
 PLATFORM SIZE: 30.5'x49.25' [775x1250], 28.35'x35.43' [720x900]
 POWER SUPPLY: 240V,15A,60Hz,SINGLE PHASE
 MOTOR: OMEGA: 1HP-3HP [0.75-2.25 Kw]
 DRIVE SYSTEM: ROPE SPROCKET

CONTROLLER

MODEL: OMEGA
 TYPE: CPFS
 ETL #: 94307

PROJECT INFORMATIONS

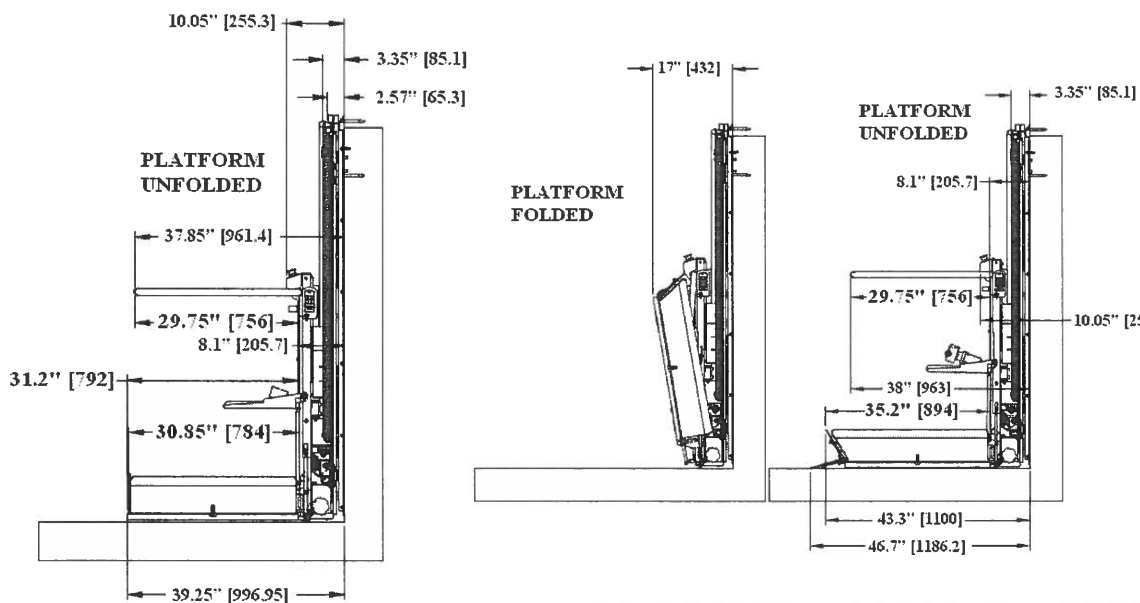
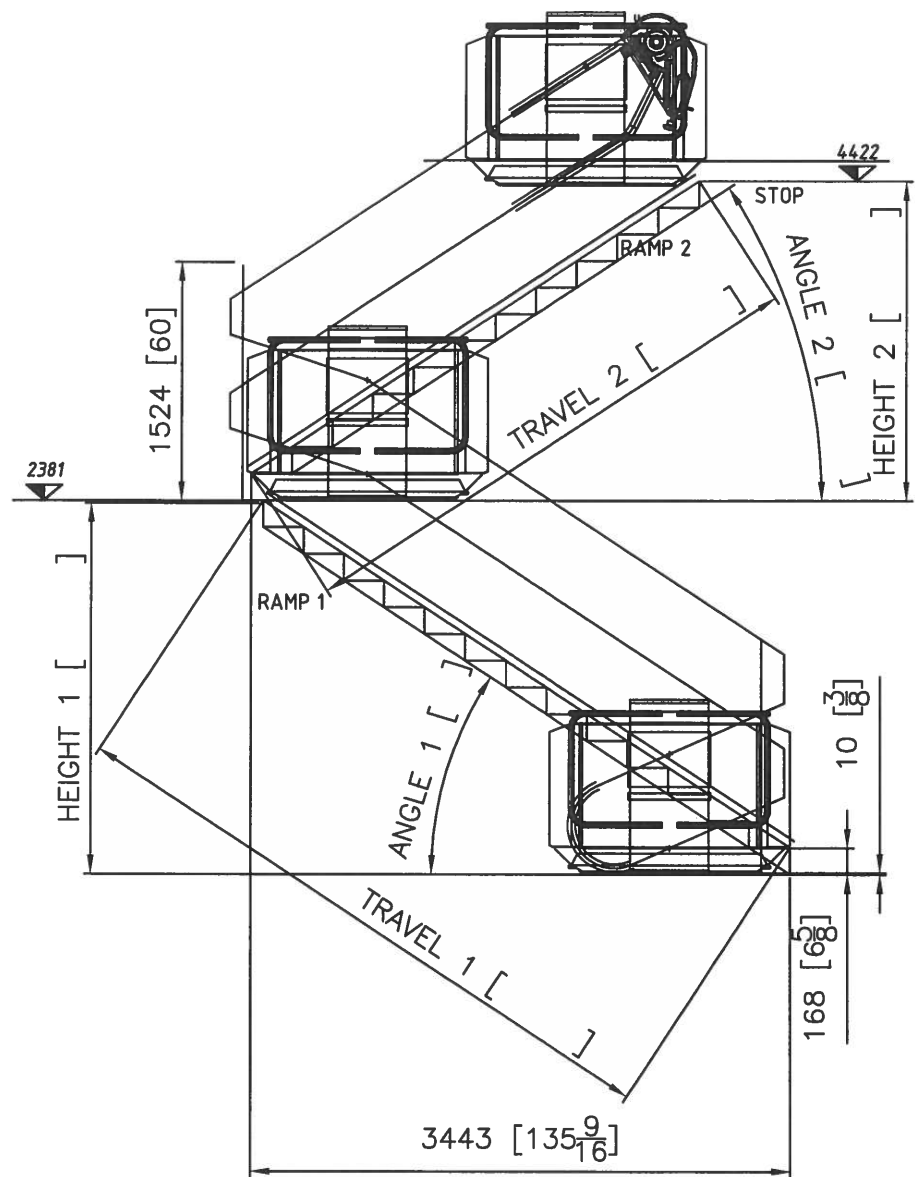
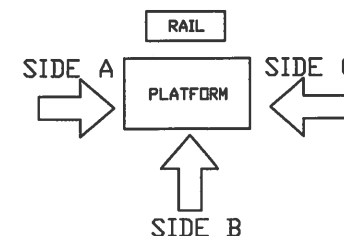
ACCESS TO PLATFORM: IN LINE / SIDE ACCESS
 SIDE OF INSTALLATION: LEFT/ RIGHT
 NUMBER OF RAMPS: N
 ANGLE OF STAIRCASE: A °
 WIDTH OF STAIRCASE: xx mm [yy ']
 NOSE TO NOSE: xx mm [yy ']
 RAIL LENGTH: TBD
 RAIL WEIGHT: 12.77 lbs/ft [19 Kg/m]
 NUMBER OF RISERS: xx
 AVERAGE RISER: xx mm [yy']
 AVERAGE TREAD: xx mm [yy']
 LOCATION: INDOOR / OUTDOOR
 TYPE OF INSTALLATION: PUBLIC
 COLOR: RAL 7035, LIGHT GREY

OPTIONS AVAILABLE:

WALL BRACKET SUPPORT: YES/NO
 SELF SUPPORT STAIR POST: YES/NO
 INTERMEDIATE STOPS: 0
 90 DEGREE BEND: 0
 180 DEGREE BEND: 0
 VERTICAL BEND: 0
 STABILIZER (<20° BEND): REQUIRED/NOT REQUIRED
 FOLDING SEAT W/BELT: YES/NO
 FIRE SERVICE: YES/NO
 EGRESS: YES/NO
 AUDIO/VISUAL ALARM: YES
 MOTORIZED SAFETY ARMS: YES
 FOLDING PLATFORM: MOTORIZED
 OUTDOOR PACKAGE: YES/NO
 INTERNATIONAL PACKAGING: YES/NO
 FIRST INSTALLATION TOOLS: YES
 PEDESTRIAN HAND RAIL: 0
 BATTERY BACK UP: YES/NO

ENTRANCE SIDE / CALL STN. MOUNTING	
LANDING 1	LANDING 2
C	A
Surface Mount	Surface Mount

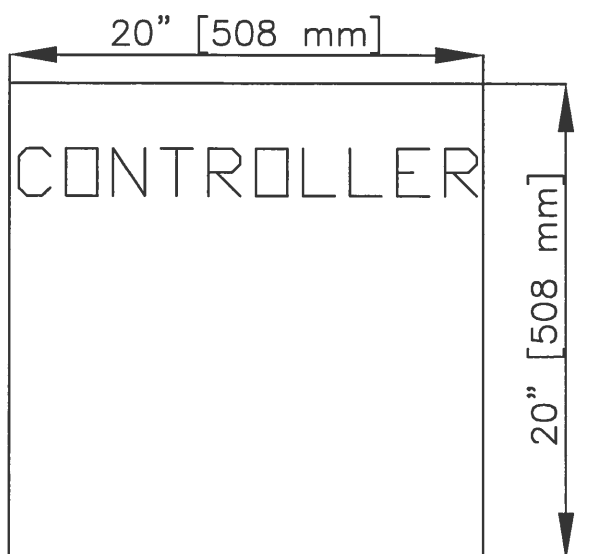
ENTRANCE LOCATIONS



INLINE ACCESS PLATFORM
775 X 1250

90 DEGREE ACCESS PLATFORM
775 X 1250

- NOTE:
 1. POST ADD 3.5" [89 mm]
 2. FOR 90° TURNS, ADD 8" [203 mm]



LOCATION TBD BY INSTALLER

GENERAL ARRANGEMENT

CUSTOMER:	DATE:
PROJECT:	REVISION DATE:
ADDRESS:	COMPLETED BY: BISRAM

Part No.	OMEGA
Variant No.	N/A
JOB No.	SHEET No. 1 OF 1