

NOTE:
CLEARANCE OF 43" WHERE APPLICABLE MINIMUM REFERENCE SPACE AT 100' PROVIDED BY CAR TOP PROP IN CONFORMANCE WITH CLAUSE S2.14.4.

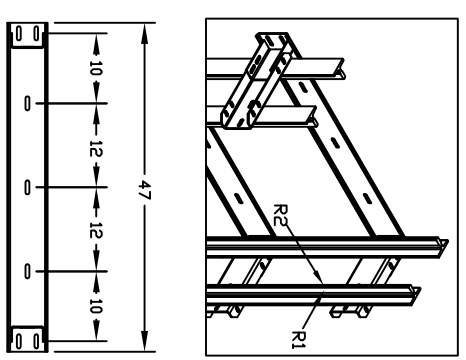
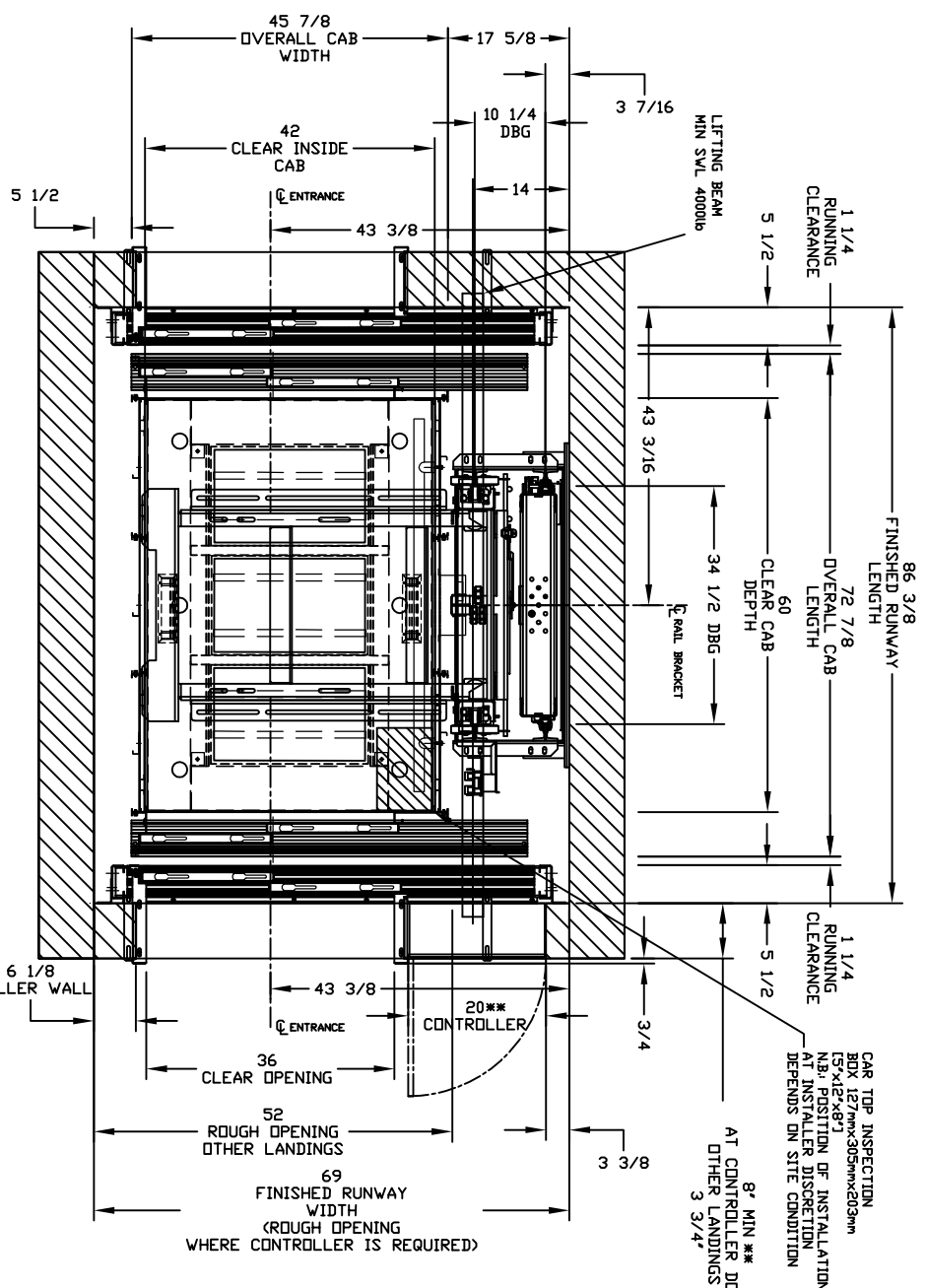
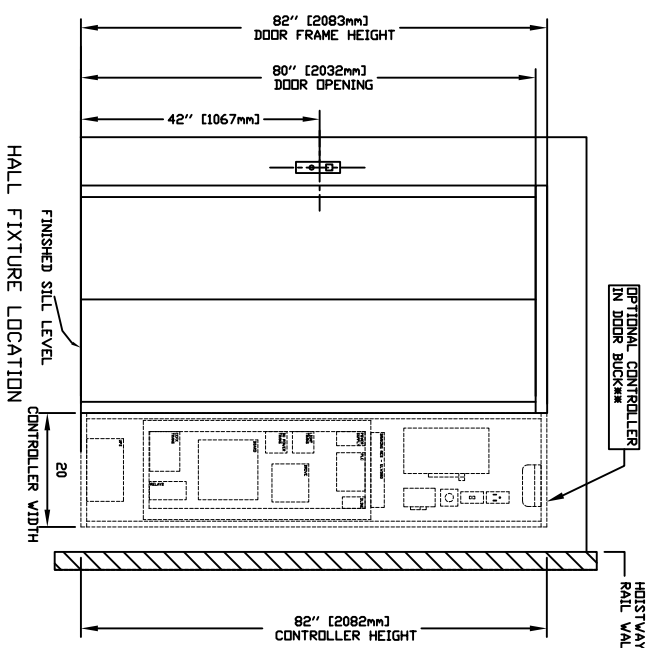


TABLE 1
RAIL BRACKETS

RAIL FORCES	RAIL WEIGHT
*R1	500 lbf
*R2	1570 lbf
*R3	1570 lbf

FOR TOTAL PULL-OUT FORCE ON RAIL BRACKET, eg. 2 x 720 = 1440 lbf FOR LOCAL APPLICATION OF PIT LOAD. R1 MUST BE DOUBLED.

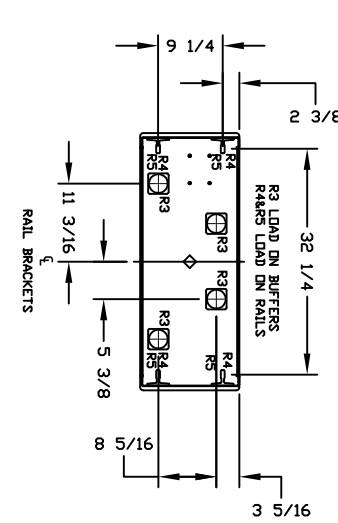


TABLE 2
LOADS ON PIT

PIT RE-ACTION FORCE	LOADS
R3	8000 LBS
R4	3000 LBS
R5	9500 LBS

NOTE A: OPTIONAL DOOR BUCK CONTROLLER (DBC) SHOWN FOR REFERENCE WHERE DBC IS NOT USED A DEDICATED MACHINE ROOM MUST BE PROVIDED BY OTHERS.
NOTE B: WHERE DETECTORS ARE REQUIRED, WIRING FROM A NORMALLY CLOSED CONTACT AT BOTH THE DESIGNATED RETURN LANDING, SMOKE DETECTORS AND ALTERNATE RETURN LANDING SMOKE DETECTOR SHALL BE PROVIDED TO THE CONTROLLER. A NORMALLY CLOSED CONTACT REPRESENTING ALL OTHER SMOKE DETECTORS MUST BE PROVIDED TO THE CONTROLLER.
NOTE C: ALL INFORMATION IS SUBJECT TO CHANGE. PLEASE REFERENCE OUR ON-LINE DRAWINGS AT WWW.SAVARIA.COM FOR THE MOST RECENT UPDATES.

GENERAL
HOISTWAY - THE HOISTWAY MUST BE IN ACCORDANCE WITH SAFETY CODE FOR ELEVATORS AND ESCALATORS (ASME A17.1) AND ALL STATE AND LOCAL CODES.
PLUMB HOISTWAY - DUE TO CLOSE RUNNING CLEARANCES DWERAGENT MUST ENSURE THAT HOISTWAY AND PIT (WHERE PROVIDED) ARE LEVEL, PLUMB AND SQUARE AND ARE IN ACCORDANCE WITH THE DIMENSIONS ON THESE DRAWINGS.
MINIMUM OVERHEAD CLEARANCE - DWERAGENT MUST ENSURE MINIMUM OVERHEAD CLEARANCE IS IN COMPLIANCE WITH CODES.
CONSTRUCTION SITE - DWERAGENT IS REQUIRED TO PROVIDE ALL MASONRY, REINFORCED CONCRETE, AND UNFINISHED PARTS OF WALLS, FLOORS AND WALL/FLOORS MAY REQUIRE TO BE CUT, DRILLED OR ALTERED IN ANY WAY TO PERMIT THE PROPER INSTALLATION OF THE LIFT. DIMENSIONS CONTRACTOR/CUSTOMER TO VERIFY ALL DIMENSIONS AND REPORT ANY DISCREPANCIES TO OUR OFFICE IMMEDIATELY.
STRUCTURAL
FLOOR/SUPPORT WALL LOADS - STRUCTURE TO ANCHOR A CRANK SHAFT AND SAFETY HARNES. WHERE APPLICABLE/NEEDED, TO BE PROVIDED BY CONTRACTOR. CONTRACTOR TO ASSURE THAT BUILDING SHAFT VIBRATION SUPPLEMENT LOADS IMPROSED BY THE LIFT EQUIPMENT REFER TO THEIR TABLES ON THIS DRAWING FOR LOADS IMPROSED BY THE EQUIPMENT.
MACHINE ROOM (WHERE REQUIRED)
LOCATION / ACCESS - MACHINE ROOM LOCATED AT THE LOWEST LEVEL ADJACENT TO HOISTWAY, UNLESS SHOWN OTHERWISE ON THE LAYOUT DRAWINGS. FIELD ADJUSTMENT BY INSTALLER MAY BE NECESSARY TO MEET JOB SITE CONDITIONS OR REGULATIONS. MACHINE ROOM DOOR IS TO BE LOCKABLE AND IS TO MEET THE REQUIREMENTS OF THE AUTHORITY HAVING JURISDICTION. SLEEVES FOR ELECTRIC LINES - FROM MACHINE ROOM TO HOISTWAY AS REQUIRED. POSITION PER INSTALLERS INSTRUCTIONS.

TABLE 3

DISCONNECT SIZE	FLA
30 AMPS	28.9 AMPS
40 AMPS	38.5 AMPS
50 AMPS	48.1 AMPS
60 AMPS	57.7 AMPS
75 AMPS	72.1 AMPS
100 AMPS	96.1 AMPS

ELECTRICAL
POWER SUPPLY - (SEE SPECIFICATIONS) LOCKABLE FUSED DISCONNECT WITH AUXILIARY CONTACT TO BRAKE THE BATTERY FEED, OR CIRCUIT BREAKERS WITH A 3-POLE BREAKER FOR BATTERY FEED REQUIRED, IN COMPLIANCE WITH ELECTRICAL CODE, AS FOLLOWS:
LOCATED ON WALL ON LOCK JAMB SIDE OF MACHINE ROOM DOOR. PERMANENT POWER - BEFORE INSTALLATION CAN BEGIN, PERMANENT POWER MUST BE SUPPLIED.
LIGHTING - THE ILLUMINATION SHALL BE NOT LESS THAN 200 LX (19 FC) AT THE FLOOR LEVEL IN ALL MACHINE ROOMS AND MACHINERY SPACES. ENSURE AT LEAST 100 LX (90 FC) AMBIENT LIGHTING OVER LIFT AREA. PHONE - NEED A DEDICATED PHONE LAND LINE (NOT VOIP) FOR THE PHONE, WHERE APPLICABLE. FOR VOIP PLEASE CONTACT SAVARIA.
ENTRANCES
FASCIA PANEL, BELOW UPPER LEVEL ENTRANCE - WHERE REQUIRED, FASCIA PANEL MUST BE FASTENED TO A SOLID WALL AND BE PERPENDICULAR TO THE FLOOR AND WALLS. HOISTWAY FASCIA IS NOT SELF-SUPPORTING FOR LONG, CONTINUOUS RUNS. VOID OF ENTRANCES. ADEQUATE SUPPORT FOR THE FASCIA MUST BE PROVIDED.
ENTRANCE ASSEMBLIES - ENTRANCE ASSEMBLIES MUST BE ADJUSTED TO ALIGN WITH PLATFORM AND INTERLOCK EQUIPMENT. OTHERS TO ALLOW AN ADEQUATE ROUGH OPENING.
RETURN WALLS - RETURN WALLS AT ENTRANCES MUST BE BUILT-IN BY OTHERS AFTER ENTRANCE ASSEMBLIES ARE IN PLACE. ENTRANCE ASSEMBLY MUST BE SECURELY FASTENED TO WALLS BY ELEVATOR CONTRACTOR.

NOTE: DIMENSIONS SHOWN ON DRAWING ARE FOR REFERENCE ONLY. MAXIMUM SPACE BETWEEN RAIL BRACKETS NOT TO EXCEED 48".
NOTE 1: REFER TO MANUAL BEFORE ADJUSTING THIS SETTING.
NOTE: REFUSE SPACE PROVIDED BY PIT PROP 1067 mm (42" 1/4) IN ACCORDANCE WITH CLAUSE S2.14.2.
NOTE: LIFTING BEAM - A 4000LB MIN SWL BEAM MUST BE PROVIDED IN THE OVERHEAD BEAM TO BE POSITIONED AS SHOWN IN ELEVATION & PLAN VIEWS. FOR OVERHEAD OF 108", POSITION THE UNDERSIDE OF BEAM AT 104" & BEAM MUST BE TEMPORARY.

TABLE 4

PIT / OVERHEAD REQUIREMENTS	MIN OVERHEAD
MAX SPEED	134" (3404)
PIT TRAVEL	108" (2743)

WARNING: FORCES ONLY APPLICABLE FOR SEISMIC ZONES 0 AND 1. FOR SEISMIC ZONES OTHER THAN 0 OR 1 PLEASE CONSULT WITH MANUFACTURER FOR REGIONAL SPECIFIC REQUIREMENTS.