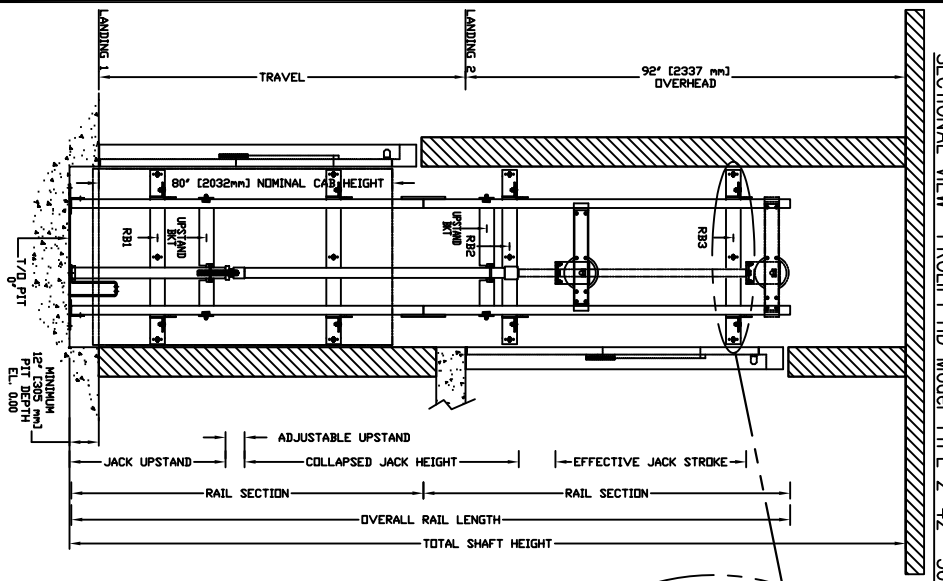
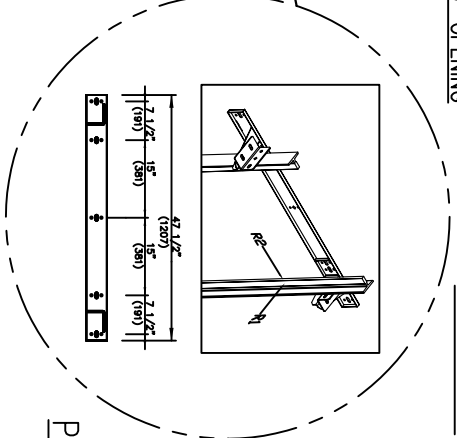


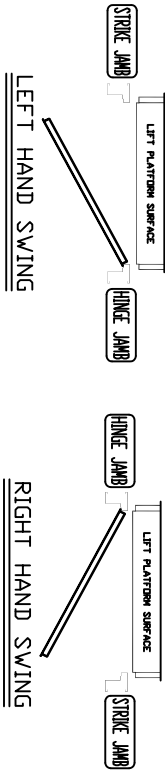
SECTIONAL VIEW - PROLIFT HD Model TYPE 2-42- 36" OPENING



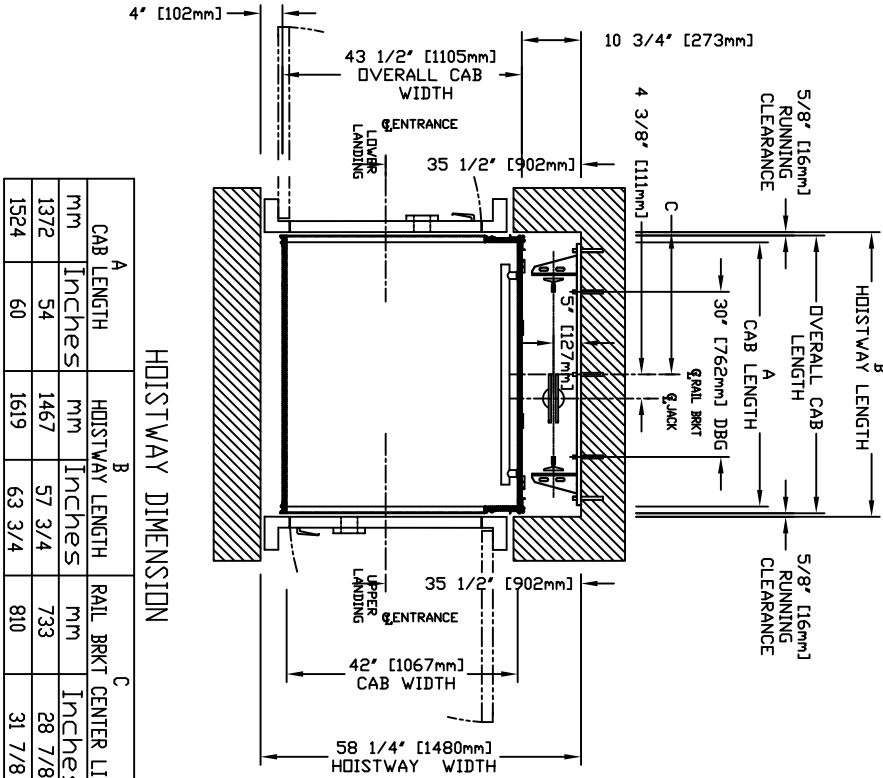
RAIL BRACKET



|                               |   |
|-------------------------------|---|
| TOP RAIL BRACKET RB3          | AT TOP OF HOISTWAY CONSULT YOUR REPRESENTATIVE FOR EXACT LOCATION |
| INTERMEDIATE RAIL BRACKET RB2 | 48" [1219mm] INTERVALS ABOVE BOTTOM BRACKET                       |
| BOTTOM RAIL BRACKET RB1       | 24" [610mm] ABOVE PIT FLOOR                                       |



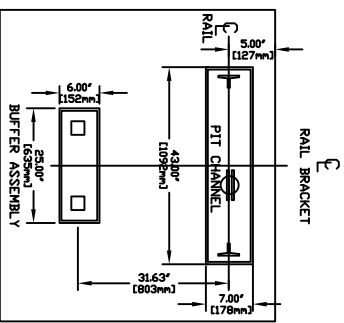
PLAN VIEW - PROLIFT HD Model TYPE 2-42- 36" OPENING



| RAIL FORCES               |           | CAPACITY    |             |
|---------------------------|-----------|-------------|-------------|
| *R1                       | *R2       | 355.03lb.f. | 251.50lb.f. |
| 304 lb.f.                 | 194 lb.f. | 1400 lbs.   | 1000 lbs.   |
| RAIL WEIGHT : 80 lbs / ft |           | 1000 lbs.   |             |

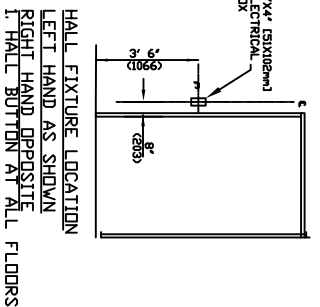
| R3 NOTE:   |           | CAPACITY |           |
|--|-----------|----------|-----------|
| PIT FLOOR TO SUPPORT LOAD OF:<br>* (INCLUDES IMPACT) |           |          |           |
| 6.4 kips   | 1400 lbs. | 5.33kips | 1000 lbs. |

FOR TOTAL PULL-OUT FORCE ON RAIL BRACKET, R1 MUST BE DOUBLED eg. 608 lb.f for 1000 lbs.



HOISTWAY DIMENSION

| A          | B               | C                     |
|------------|-----------------|-----------------------|
| CAB LENGTH | HOISTWAY LENGTH | RAIL BRKT CENTER LINE |
| mm         | mm              | mm                    |
| Inches     | Inches          | Inches                |
| 1372       | 54              | 1467                  |
| 54         | 57 3/4          | 733                   |
| 60         | 1619            | 63 3/4                |
|            |                 | 810                   |
|            |                 | 31 7/8                |



COMMERCIAL WHEELCHAIR LIFT  
PROLIFT HD MODEL TYPE 2-42- 36" OPENING

DOCUMENT REVISION: NO. DATE: 12/09/21/0

CUSTOMER: \_\_\_\_\_ DATE: \_\_\_\_\_  
 PROJECT: \_\_\_\_\_ REVISION LINE: \_\_\_\_\_  
 LOCATION: \_\_\_\_\_ COMPLETED BY: \_\_\_\_\_  
 savaria  
 SHEET NO. \_\_\_\_\_