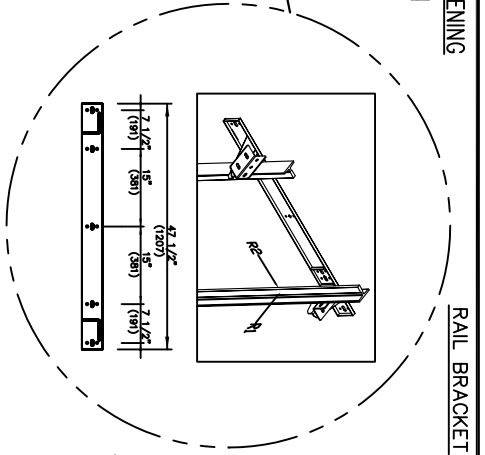
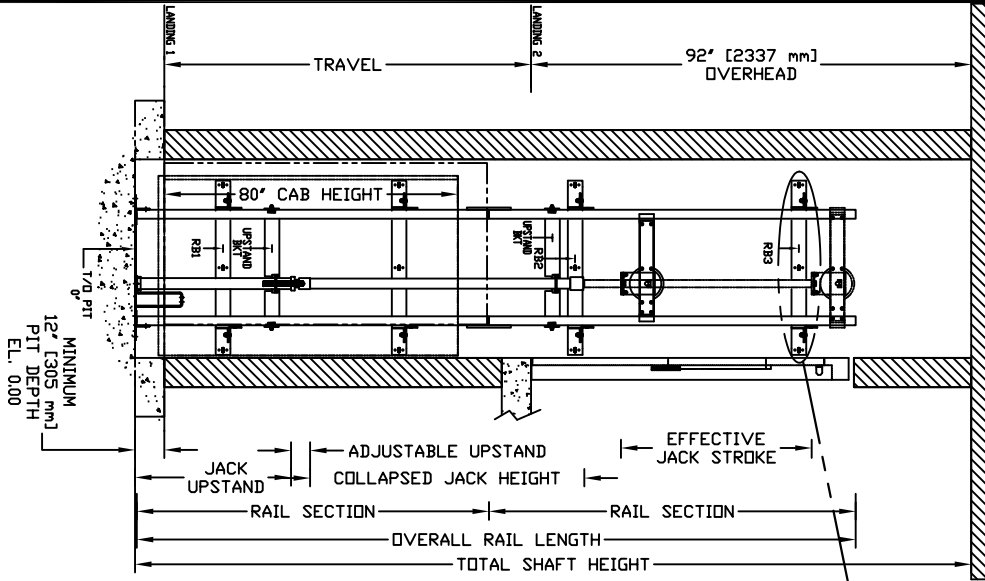
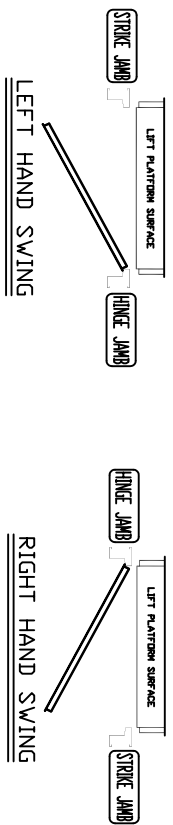


SECTIONAL VIEW - PROLIFT HD Model TYPE 3-36" OPENING

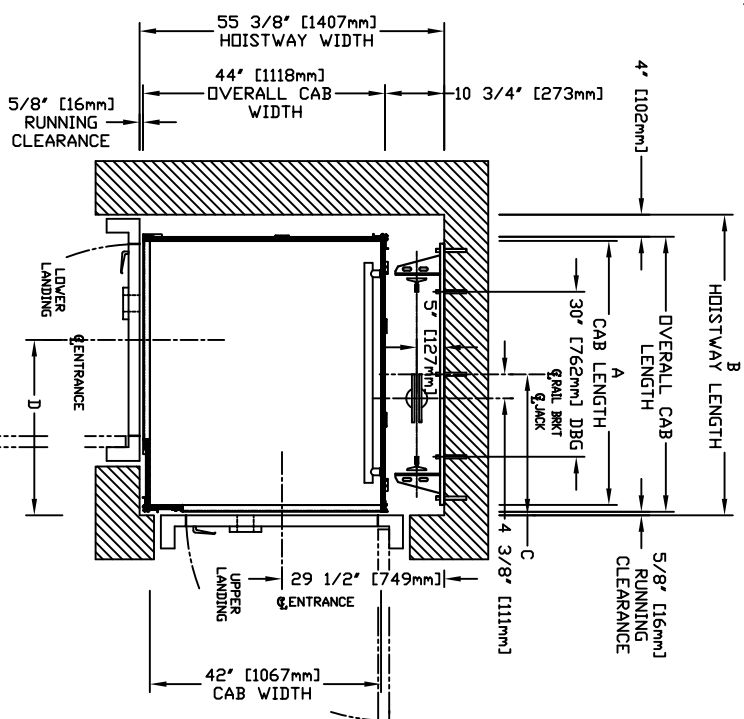


TOP RAIL BRACKET RB3	AT TOP OF HOISTWAY CONSULT YOUR REPRESENTATIVE FOR EXACT LOCATION
INTERMEDIATE RAIL BRACKET RB2	48" [1219mm] INTERVALS ABOVE BOTTOM BRACKET
BOTTOM RAIL BRACKET RB1	24" [610mm] ABOVE PIT FLOOR



RAIL FORCES		CAPACITY
*R1	*R2	
355.03lb.f.	251.50lb.f.	1400 lbs.
304 lb.f.	194 lb.f.	1000 lbs.
RAIL WEIGHT : 8.0 lbs / ft		

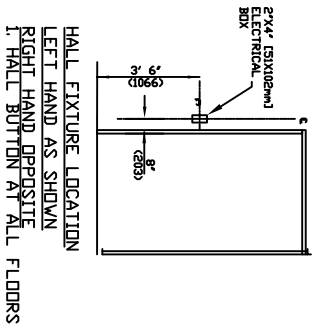
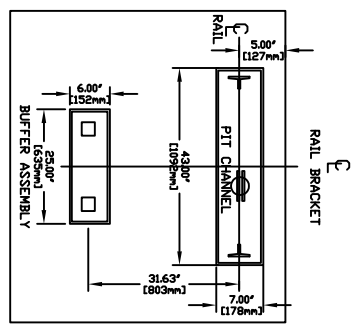
PLAN VIEW - PROLIFT HD Model TYPE 3-36" OPENING



HOISTWAY DIMENSION			
A	B	C	D
CAP LENGTH	HOISTWAY LENGTH	RAIL BRKT CENTER LINE	ENTRANCE CENTER LINE
mm	mm	mm	mm
Inches	Inches	Inches	Inches
1372	1540	727	962
54	60 5/8	28 5/8	37 7/8
1524	1692	803	1114
60	66 5/8	31 5/8	43 7/8

PIT FLOOR TO SUPPORT LOAD DF: * (INCLUDES IMPACT)		CAPACITY
6.4 kips	1400 lbs.	
5.33kips	1000 lbs.	

FOR TOTAL PULL-OUT FORCE ON RAIL BRACKET, R1 MUST BE DOUBLED eg. 608 lb.f. for 1000 lbs.



COMMERCIAL WHEELCHAIR LIFT PROLIFT HD MODEL TYPE 3-36" OPENING

CUSTOMER: _____ DATE: _____
 PROJECT: _____ REVISION LINE: _____
 LOCATION: _____ COMPLETED BY: _____
Savarria
 SHEET NO. _____