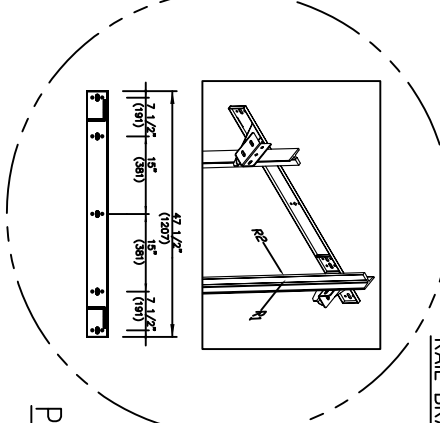
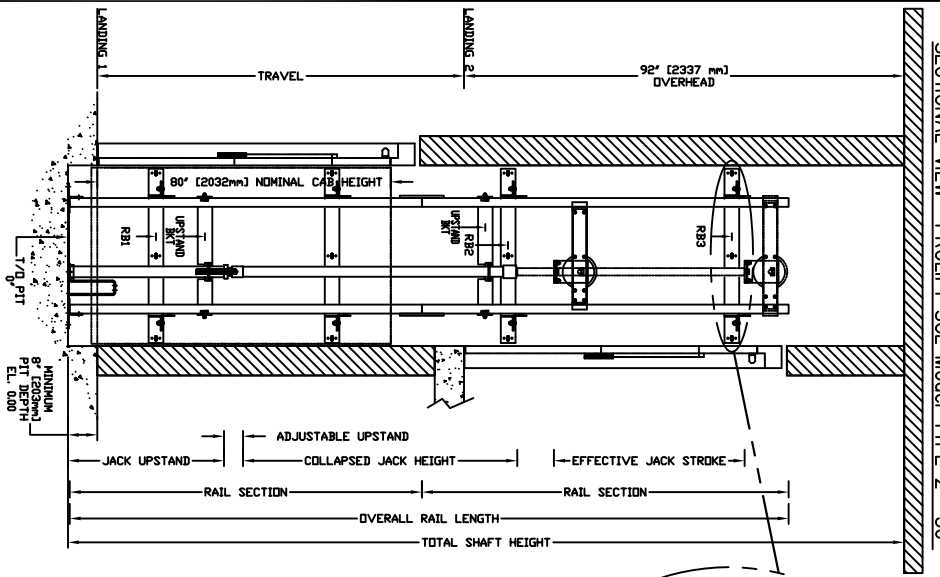


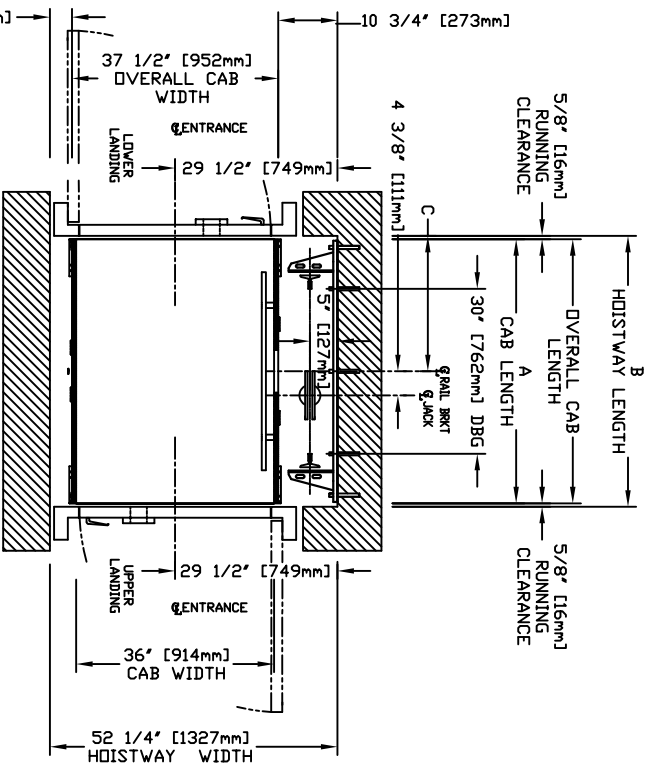
SECTIONAL VIEW - PROLIFT SCL Model TYPE 2-36"



RAIL BRACKET

TOP RAIL BRACKET	AT TOP OF HOISTWAY CONSULT YOUR REPRESENTATIVE FOR EXACT LOCATION
INTERMEDIATE RAIL BRACKET RB2	48" [1219mm] INTERVALS ABOVE BOTTOM BRACKET
BOTTOM RAIL BRACKET RB1	24" [610mm] ABOVE PIT FLOOR

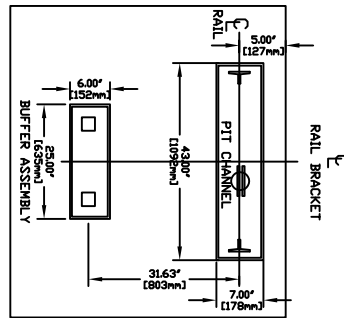
PLAN VIEW - PROLIFT SCL Model TYPE 2-36"



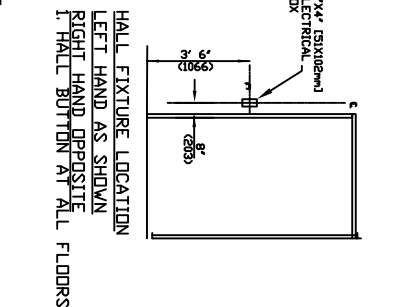
RAIL FORCES		
*R1	*R2	CAPACITY
355,030 lb.f.	251,500 lb.f.	1400 lbs.
304 lb.f.	194 lb.f.	1000 lbs.
RAIL WEIGHT : 80 lbs / ft		

R3 NOTE:		
PIT FLOOR TO SUPPORT LOAD DF:		
* (INCLUDES IMPACT)		
CAPACITY	6.4 kips	1400 lbs.
	5.33kips	1000 lbs.

FOR TOTAL PULL-OUT FORCE ON RAIL BRACKET, R1 MUST BE DOUBLED eg. 608 lb.f for 1000 lbs.



HOISTWAY DIMENSION			
A	B	C	
CAB LENGTH	HOISTWAY LENGTH	RAIL BRKT CENTER LINE	
mm	mm	mm	Inches
1219	48	49 1/4	625
1372	54	55 1/4	702
1524	60	61 1/4	778
			30 5/8



DOCUMENT REVISION #0. DATE: 12/09/10

COMMERCIAL WHEELCHAIR LIFT
PROLIFT SCL MODEL TYPE 2-36"

CUSTOMER:	DATE:		SHEET NO.
PROJECT:	ENGINEER:		
LOCATION:	COMPILED BY:		