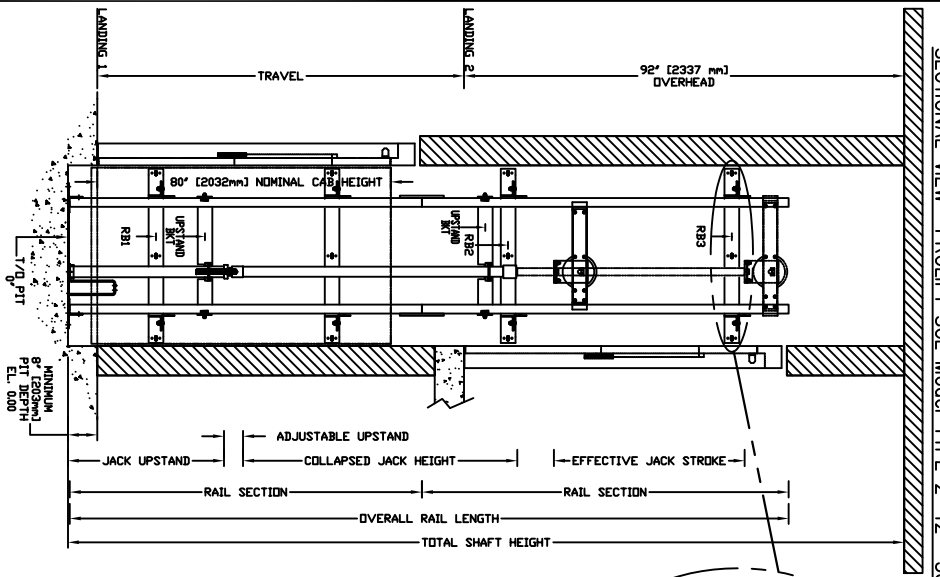
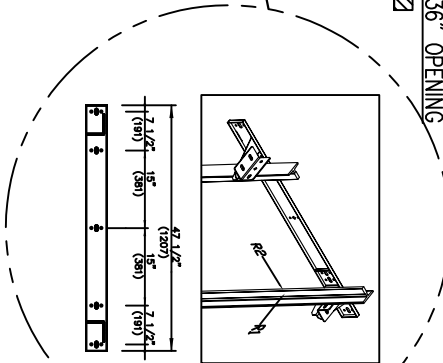


SECTIONAL VIEW - PROLIFT SCL Model TYPE 2-42- 36" OPENING

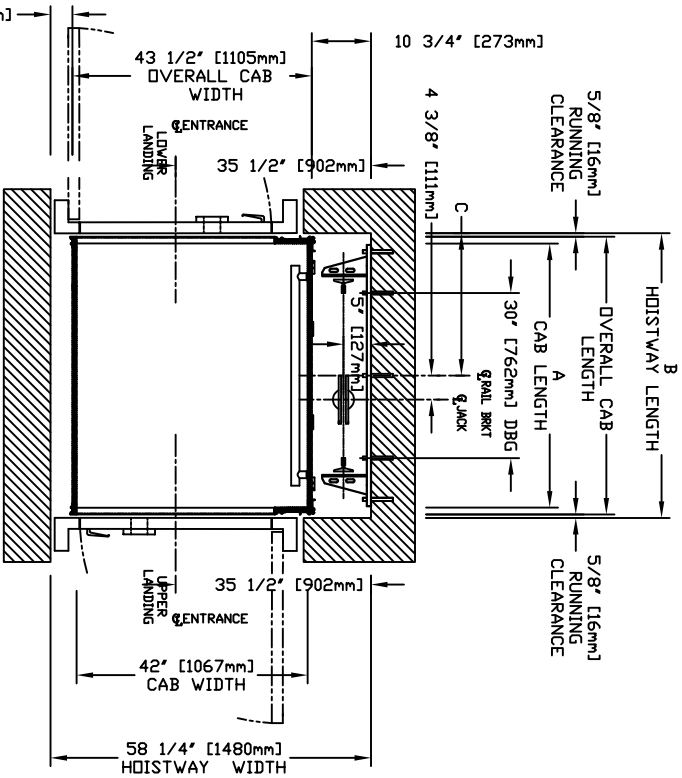


RAIL BRACKET



| | |
|---------------------------|--|
| TOP RAIL BRACKET | AT TOP OF HOISTWAY YOUR CONSULT FOR EXACT LOCATION |
| INTERMEDIATE RAIL BRACKET | 48" [1219mm] INTERVALS ABOVE BOTTOM BRACKET |
| BOTTOM RAIL BRACKET | 24" [610mm] ABOVE PIT FLOOR |

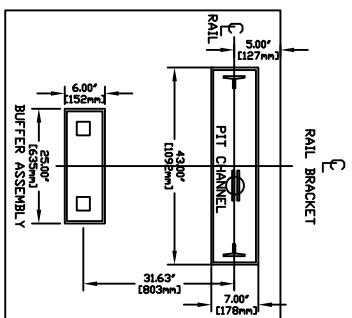
PLAN VIEW - PROLIFT SCL Model TYPE 2-42- 36" OPENING



| RAIL FORCES | | |
|----------------------------|------------|-----------|
| *R1 | *R2 | CAPACITY |
| 355,031bf. | 251,501bf. | 1400 lbs. |
| 304 lbf. | 194 lbf. | 1000 lbs. |
| RAIL WEIGHT : 8.0 lbs / ft | | |

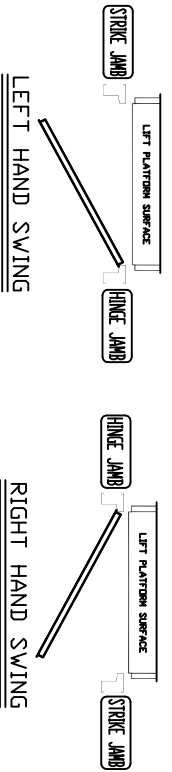
| PIT FLOOR TO SUPPORT LOAD OF: | | |
|-------------------------------|-----------|--|
| * (INCLUDES IMPACT) | | |
| CAPACITY | | |
| 6.4 kips | 1400 lbs. | |
| 5.3kips | 1000 lbs. | |

R3 NOTE:
FOR TOTAL PULL-OUT FORCE ON RAIL BRACKET, R1 MUST BE DOUBLED eg. 608 lbf for 1000 lbs.



HALL FIXTURE LOCATION
LEFT HAND AS SHOWN
RIGHT HAND OPPOSITE
HALL BUTTON AT ALL FLOORS

| HOISTWAY DIMENSION | | | | | |
|--------------------|-----------------|-----------------------|--------|-----|--------|
| A | B | C | | | |
| CAB LENGTH | HOISTWAY LENGTH | RAIL BRKT CENTER LINE | | | |
| mm | Inches | mm | Inches | mm | Inches |
| 1219 | 48 | 1314 | 51 3/4 | 657 | 25 7/8 |



DOCUMENT REVISION #0. DATE: 12/09/10

COMMERCIAL WHEELCHAIR LIFT

PROLIFT SCL MODEL TYPE 2-42- 36" OPENING

| | |
|-----------|---------------|
| CUSTOMER: | DATE: |
| PROJECT: | ENGINEER: |
| LOCATION: | COMPLETED BY: |
| | |
| | |