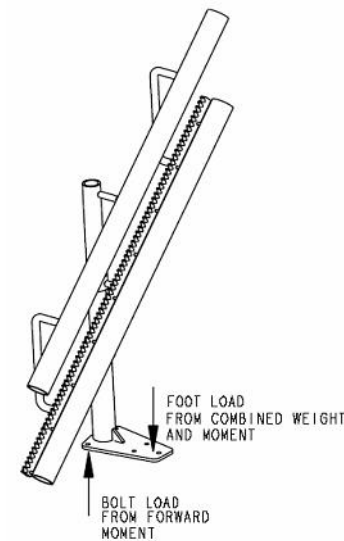
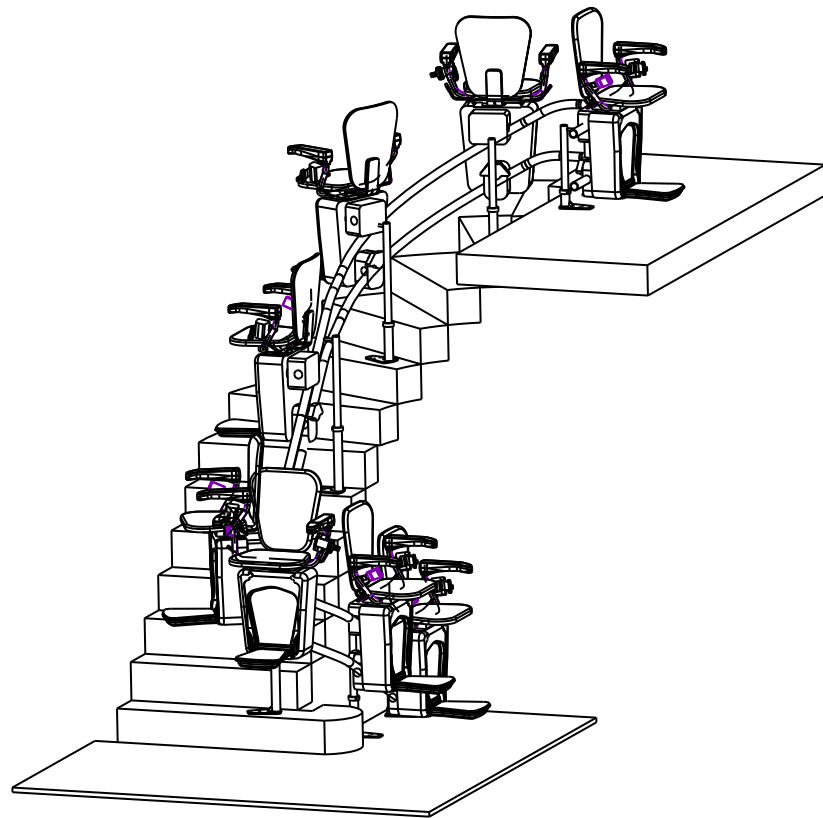


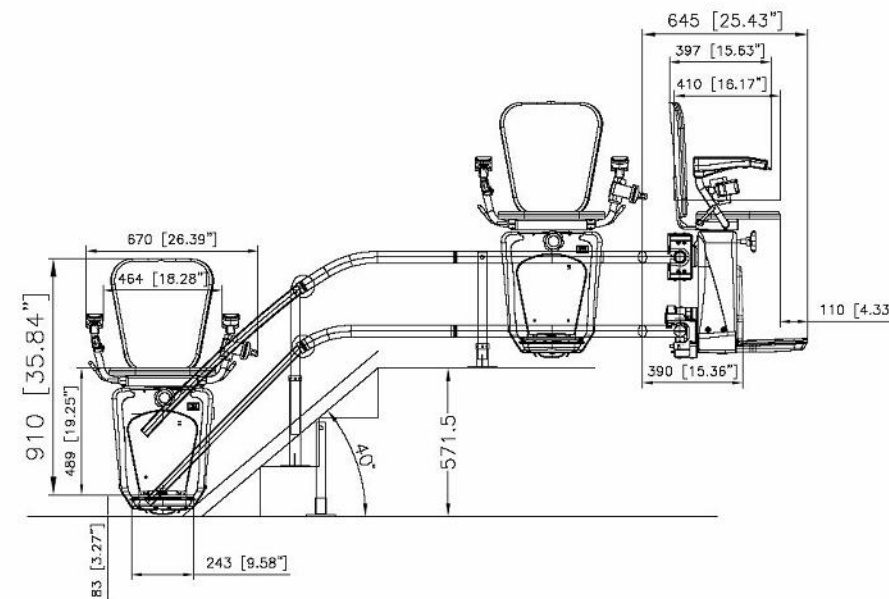
SPECIFICATIONS

SUPPORT LOAD DIAGRAM

SELF SUPPORT POST:



DESIGN FOOT LOADS ARE:
 4684N (1053 LBF) VERTICAL FOOT LOAD
 2344N (527LBF) BOLT TENSILE LOAD
 AT BACK TWO FASTENER LOCATIONS
 DUE TO FORWARD MOMENT
 -USE THE SAME FASTENERS IN 3 LOCATIONS



GENERAL


CLASSIFICATION:	UNENCLOSED CHAIR LIFT
APPLIED CODE:	CODE: RESIDENTIAL OR COMMERCIAL
MODEL:	STAIRFRIEND
CAPACITY:	350 lbs [160 kg] ONE PERSON IN CHAIRLIFT
SPEED:	25 ft/min [7.2 m/min]
CHAIR SIZE:	16.625"x14.75" [422x375]
POWER SUPPLY:	120V, 15A, 60Hz, SINGLE PHASE

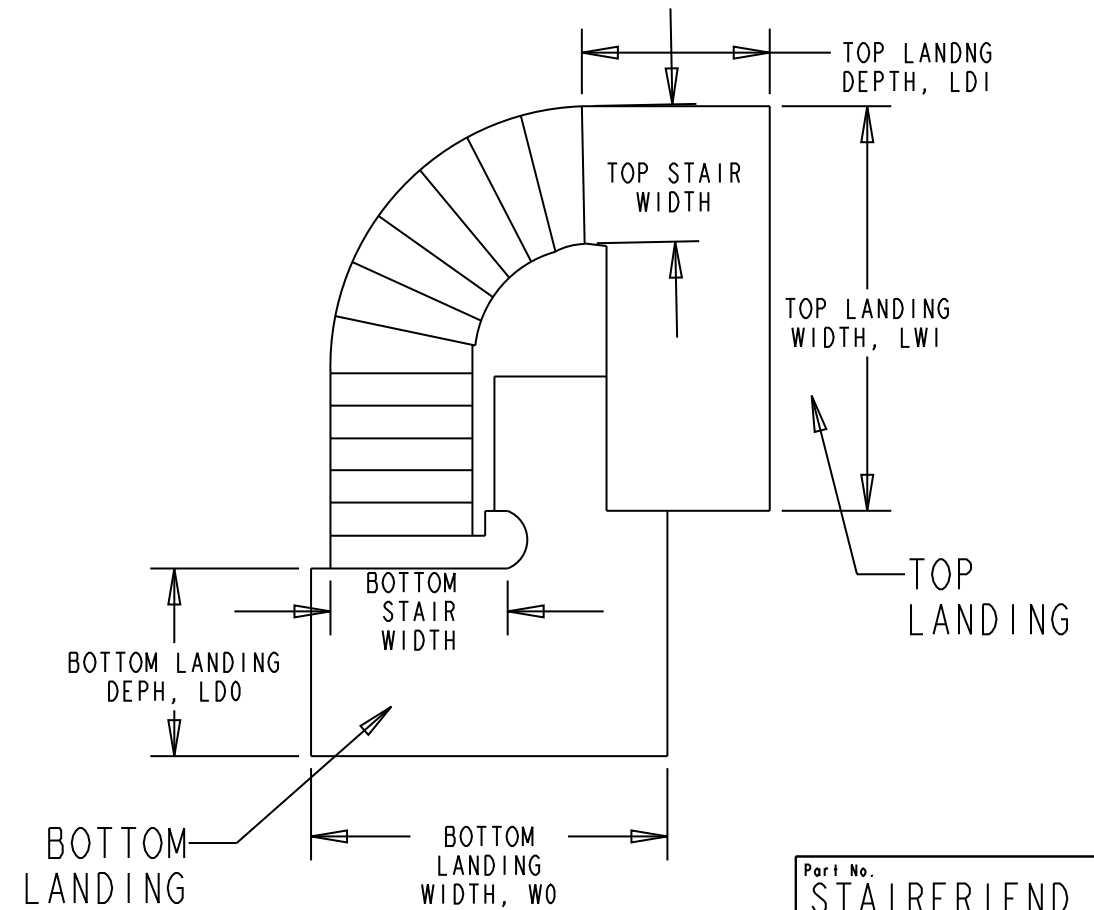
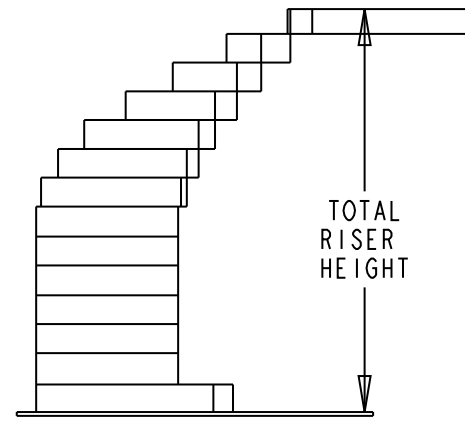
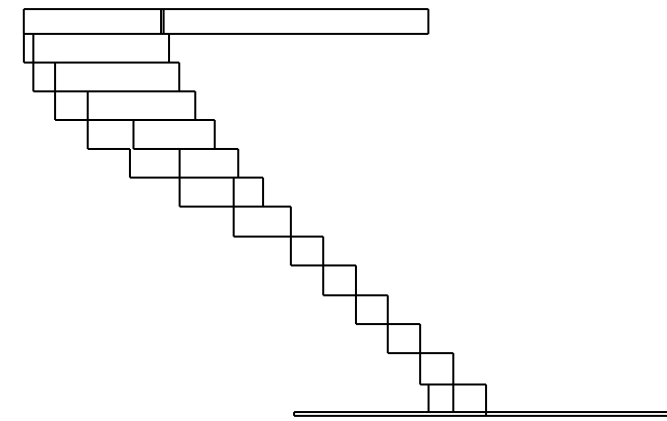
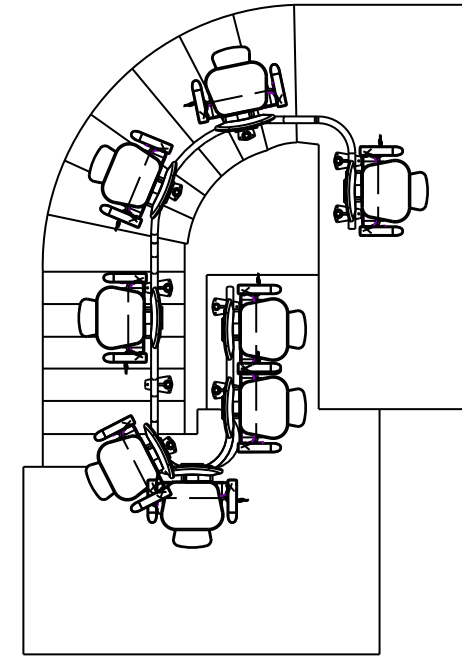
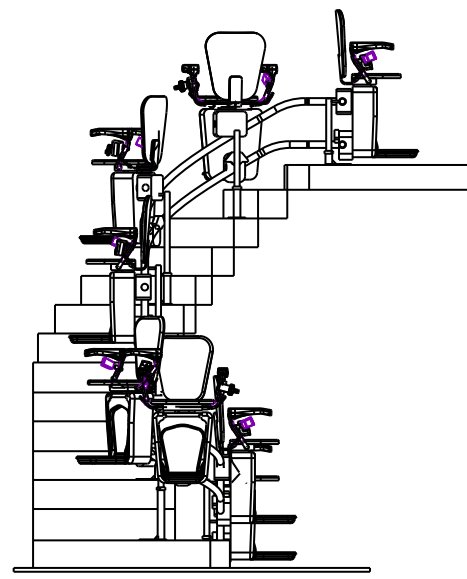
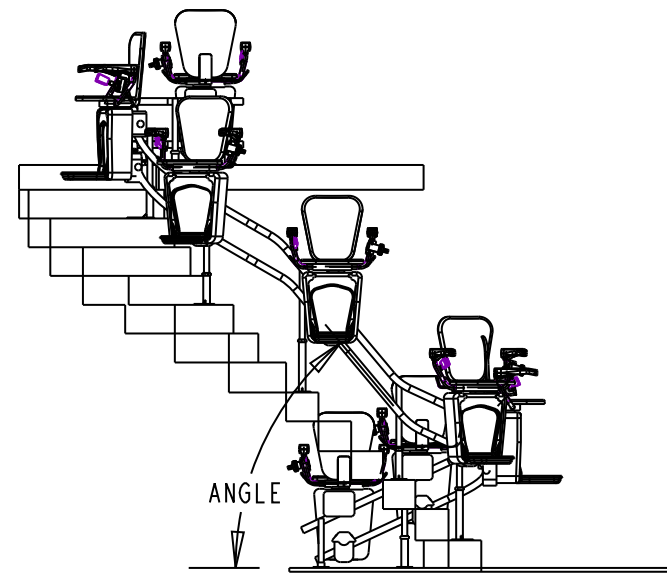
MOTOR:	24 V (DC), 0.5 Hp
DRIVE SYSTEM:	RACK AND PINION

SELF SUPPORT STAIR POST:	YES / NO
INTERMEDIATE STOPS:	YES / NO
90 DEGREE BEND:	2
180 DEGREE BEND:	0
CUSTOM BEND:	NO
DROP NOSE:	NO OR YES
SEAT CHAIR MODEL	L OR V

DIMENSIONS ARE
IN INCHES

APPROVAL DWG

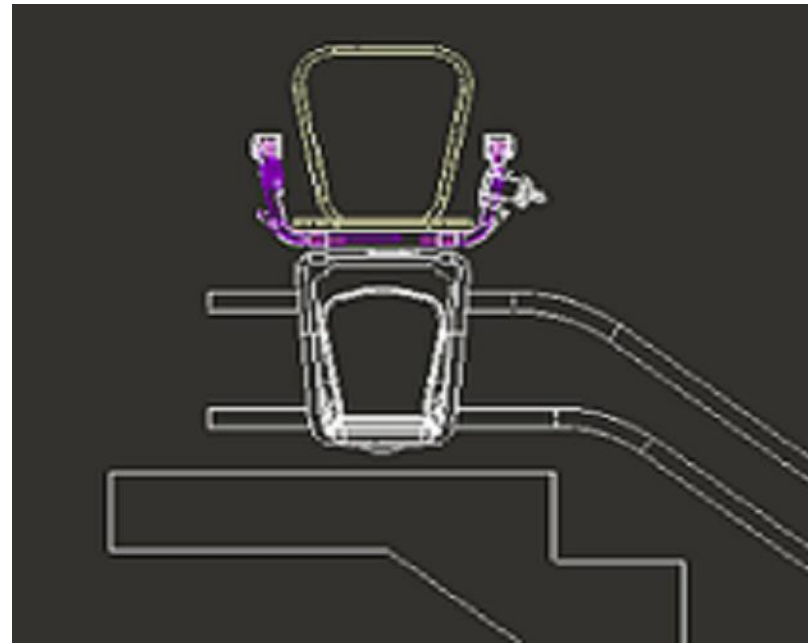
CUSTOMER:	PROJECT: SPIRAL INSIDE	DATE:	Part No. STAIRFRIEND
ADDRESS:	COMPLETED BY: RAJEEV	REVISION DATE:	Variant No.
			© savaria 
			JOB No. SHEET No. 1 OF 3



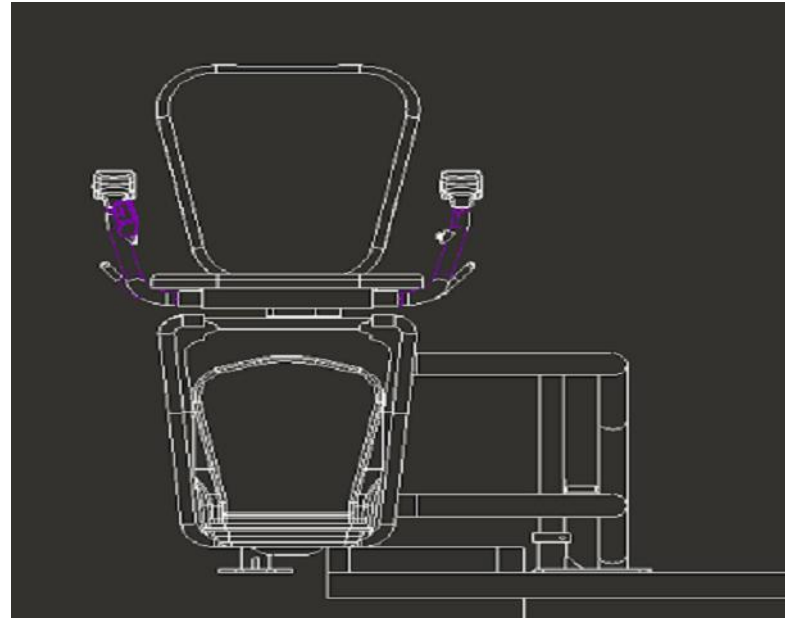
DIMENSIONS ARE IN INCHES

APPROVAL DWG

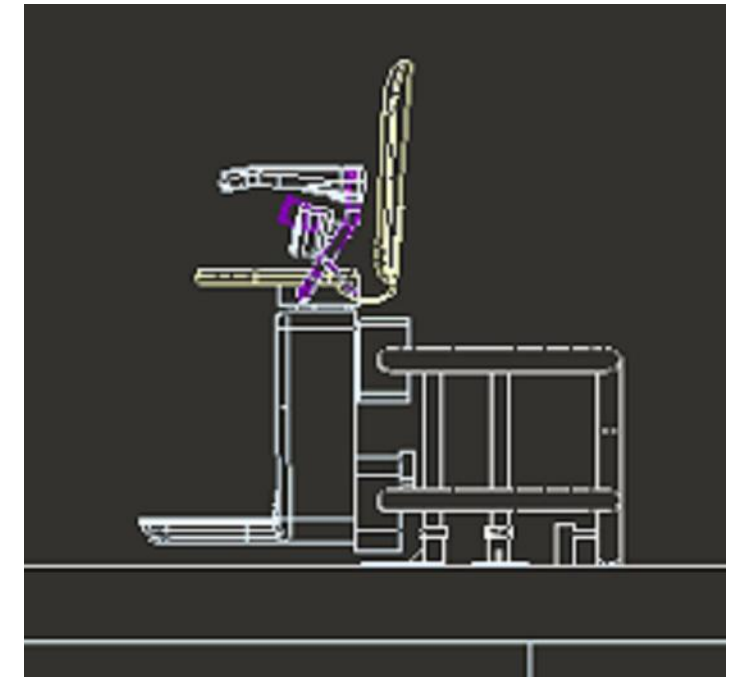
CUSTOMER:	DATE:	Part No.	STAIRFRIEND
PROJECT: SPIRAL INSIDE	REVISION DATE:	Variant No.	
ADDRESS:	COMPLETED BY: RAJEEV		



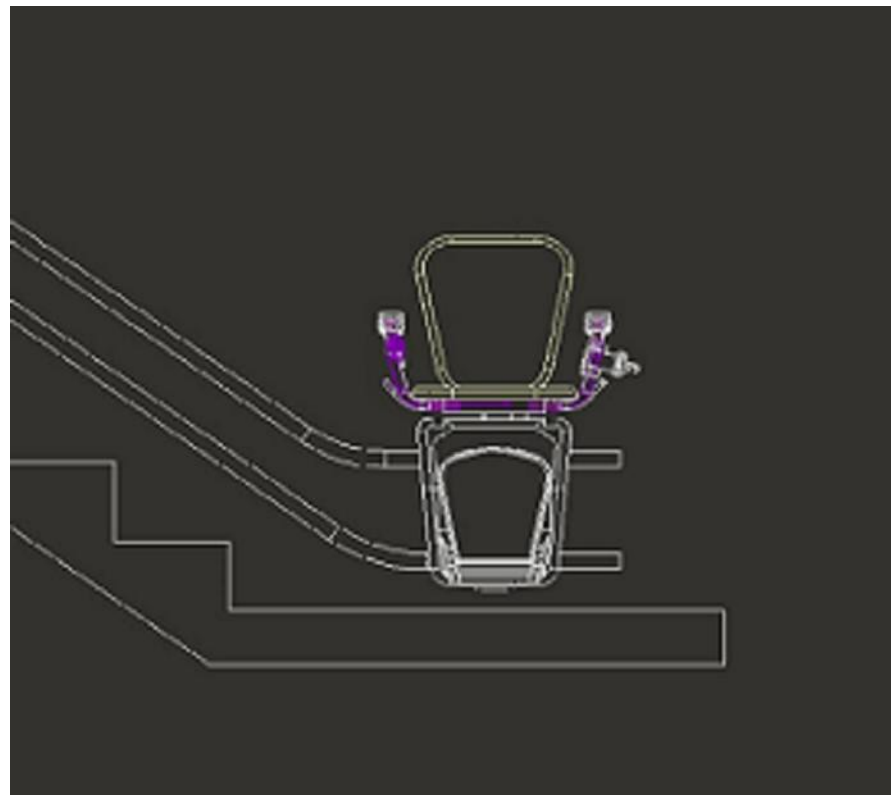
OVERRUN AT TOP



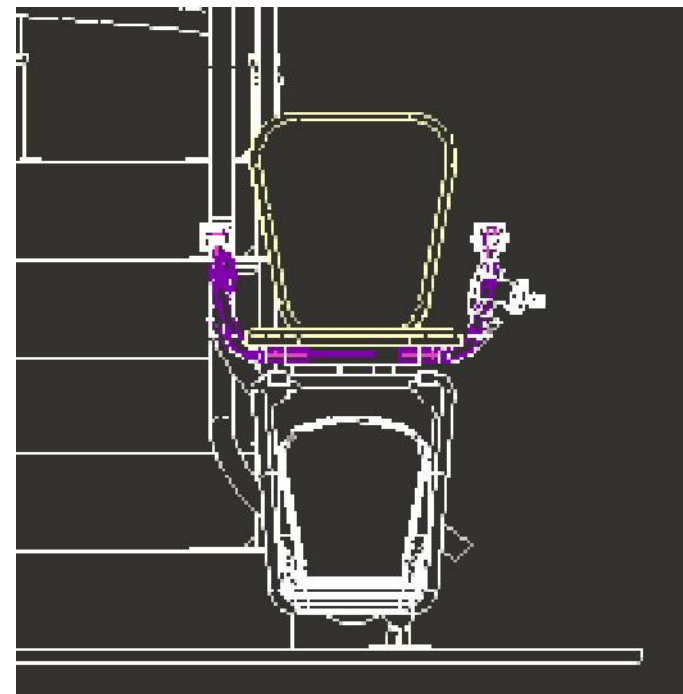
90 DEG PARKING AT TOP



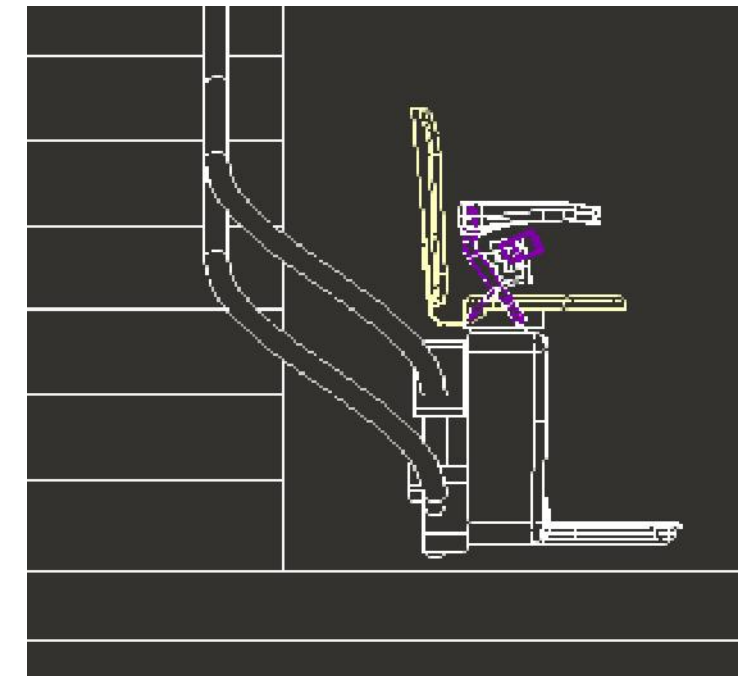
180 DEG PARKING AT TOP



OVERRUN AT BOTTOM




90 DEG PARKING AT BOTTOM



180 DEG PARKING AT BOTTOM

DIMENSIONS ARE
IN INCHES

APPROVAL DWG

CUSTOMER:		DATE:	Part No. STAIRFRIEND	
PROJECT: SPIRAL INSIDE		REVISION DATE:	Variant No.	
ADDRESS:		COMPLETED BY: RAJEEV	© savaria 	
			JOB No.	SHEET No. 3 OF 3