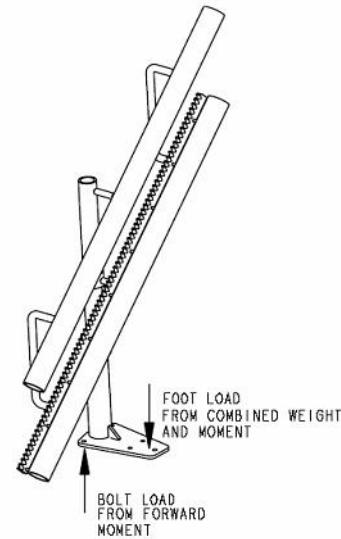


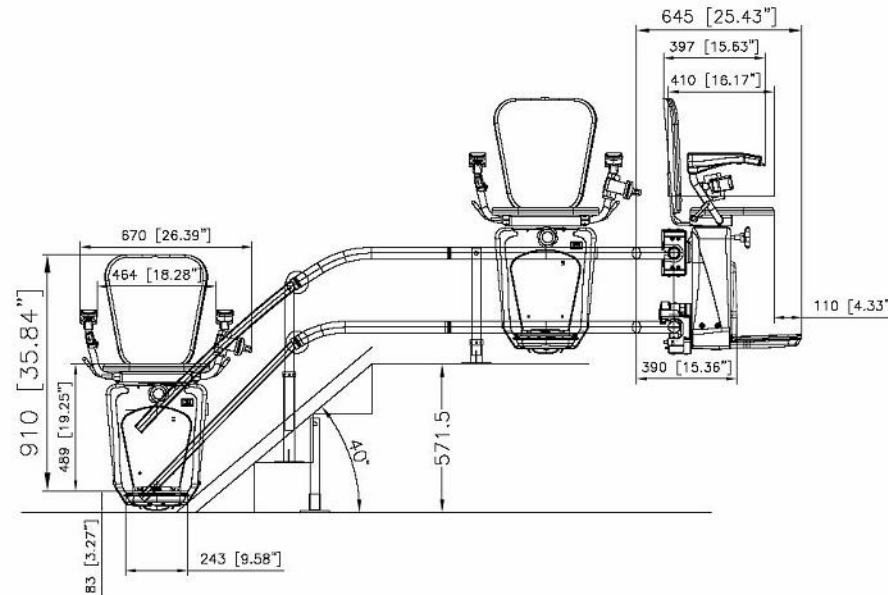


SUPPORT LOAD DIAGRAM

SELF SUPPORT POST:



DESIGN FOOT LOADS ARE:
4684N (1053 LBF) VERTICAL FOOT LOAD
2344N (527LBF) BOLT TENSILE LOAD
AT BACK TWO FASTENER LOCATIONS
DUE TO FORWARD MOMENT
-USE THE SAME FASTENERS IN 3 LOCATIONS



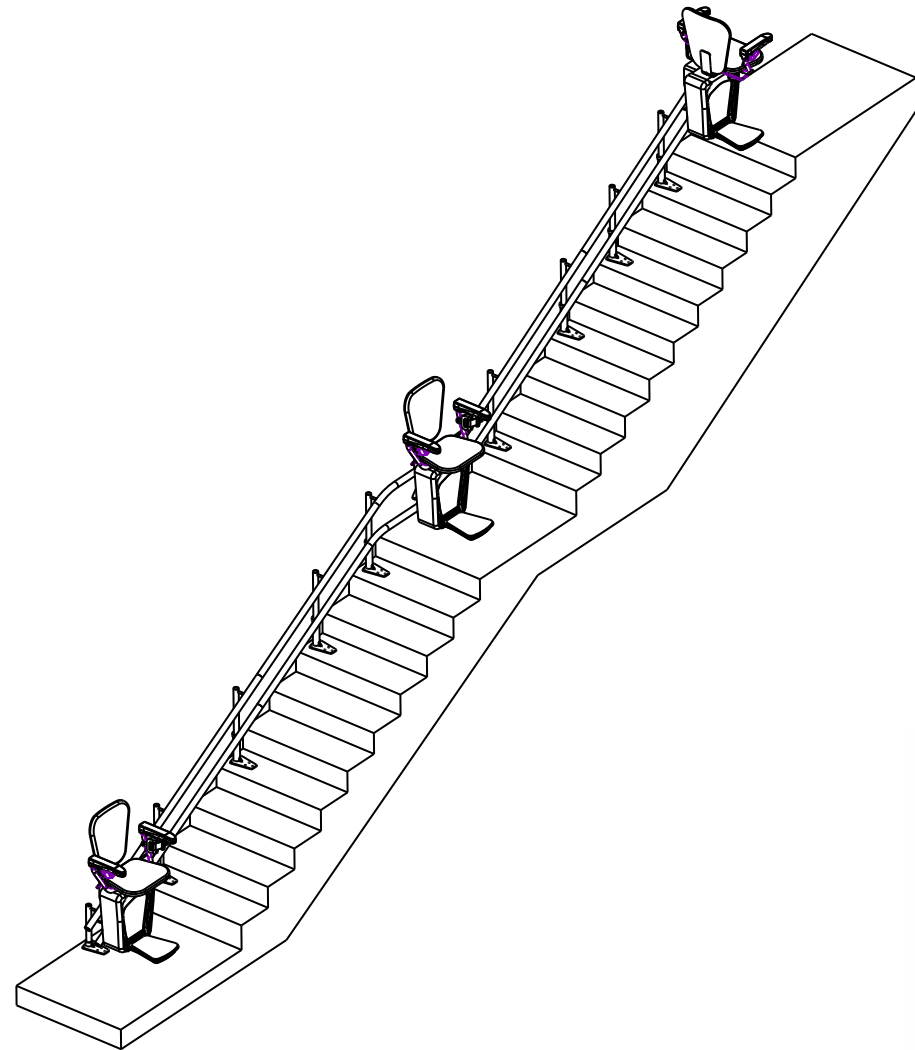
SPECIFICATIONS

GENERAL

CLASSIFICATION:	UNENCLOSED CHAIR LIFT
APPLIED CODE:	CODE: RESIDENTIAL OR COMMERCIAL
MODEL:	STAIRFRIEND
CAPACITY:	350 lbs [160 kg] ONE PERSON IN CHAIRLIFT
SPEED:	25 ft/min [7.2 m/min]
CHAIR SIZE:	16.625"x14.75" [422x375]
POWER SUPPLY:	120V, 15A, 60Hz, SINGLE PHASE

MOTOR:	24 V (DC), 0.5 Hp
DRIVE SYSTEM:	RACK AND PINION

SELF SUPPORT STAIR POST:	YES / NO
INTERMEDIATE STOPS:	YES/NO
90 DEGREE BEND:	0
180 DEGREE BEND:	0
CUSTOM BEND:	NO
DROP NOSE:	NO OR YES
SEAT CHAIR MODEL	L OR V

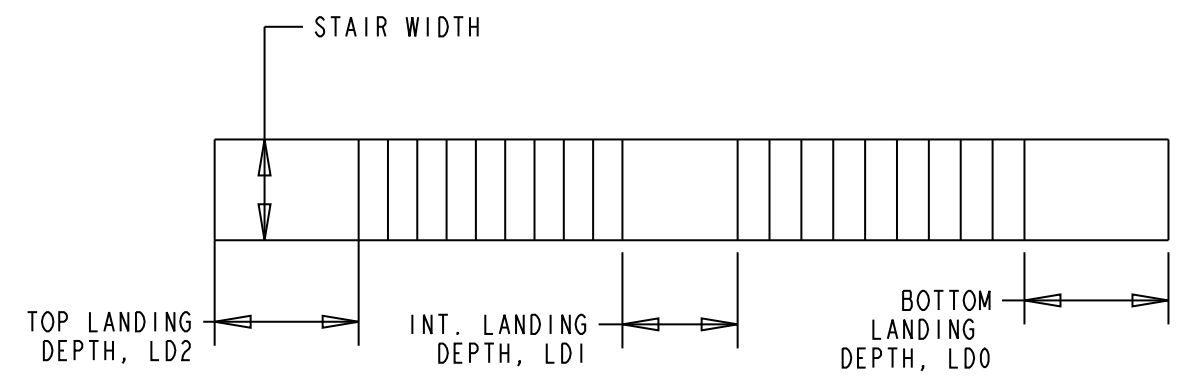
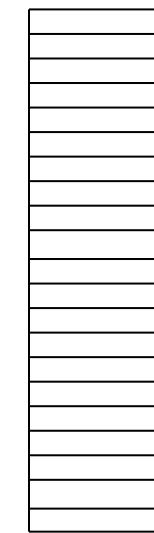
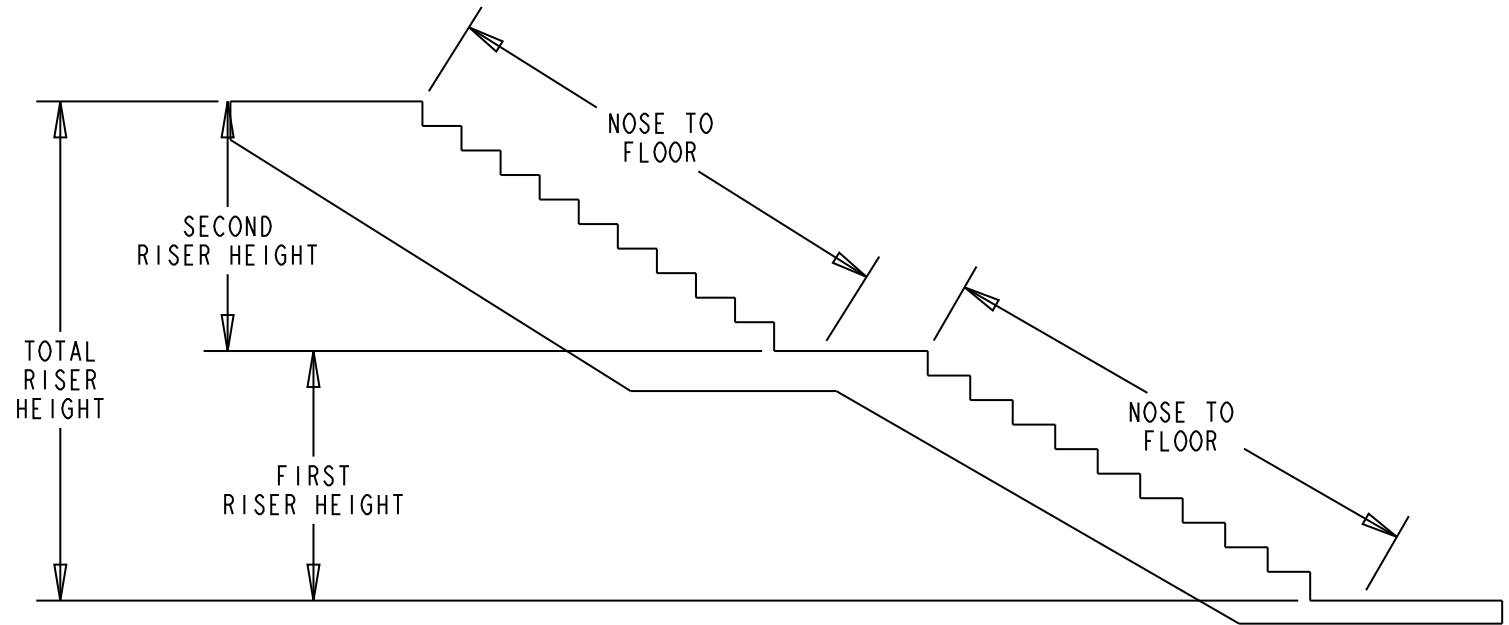
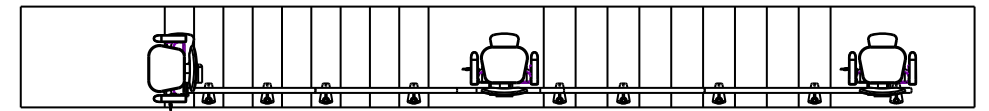
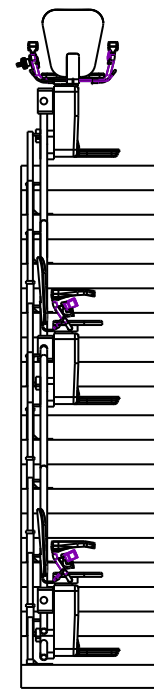
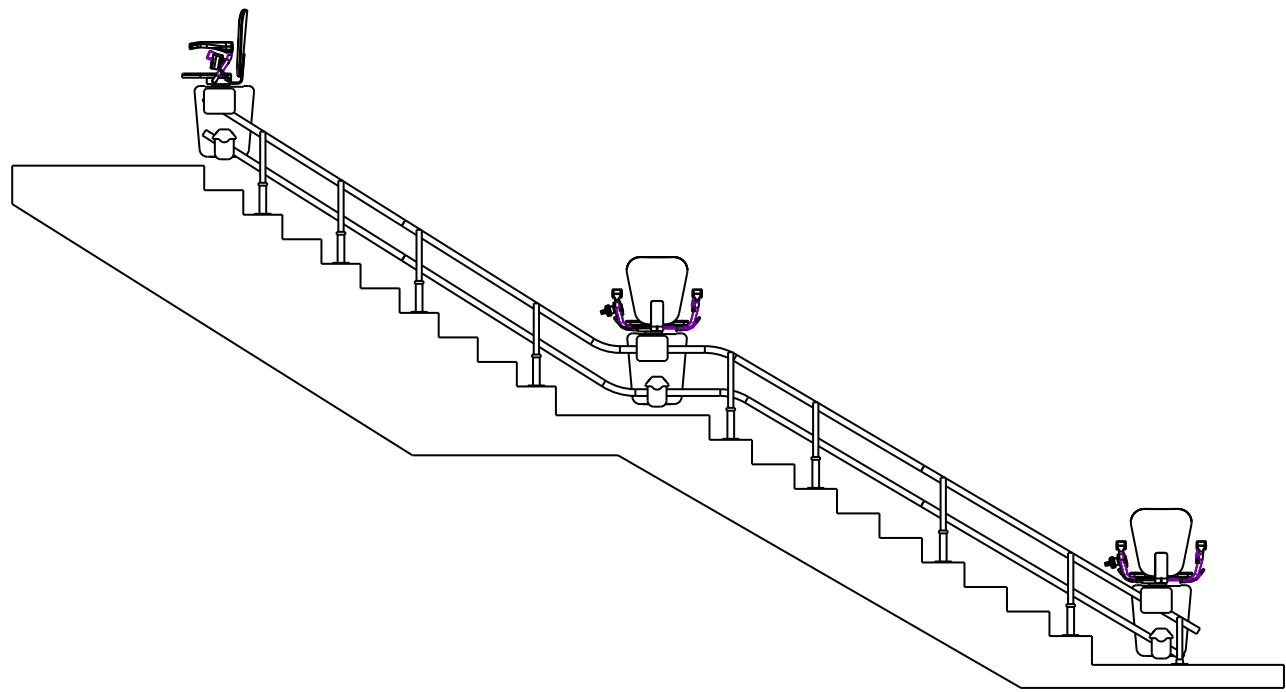


DIMENSIONS ARE
IN INCHES

APPROVAL DWG

CUSTOMER:	DATE:	Part No. STAIRFRIEND
PROJECT: STR8 WITH INT. LANDING	REVISION DATE:	Variant No.
ADDRESS:	COMPLETED BY:	© savaria
		JOB No. SHEET No. 1 OF 3




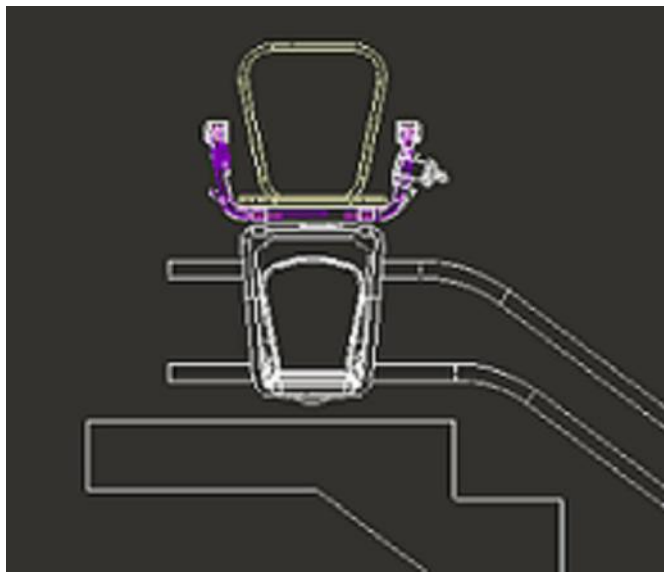


DIMENSIONS ARE
IN INCHES

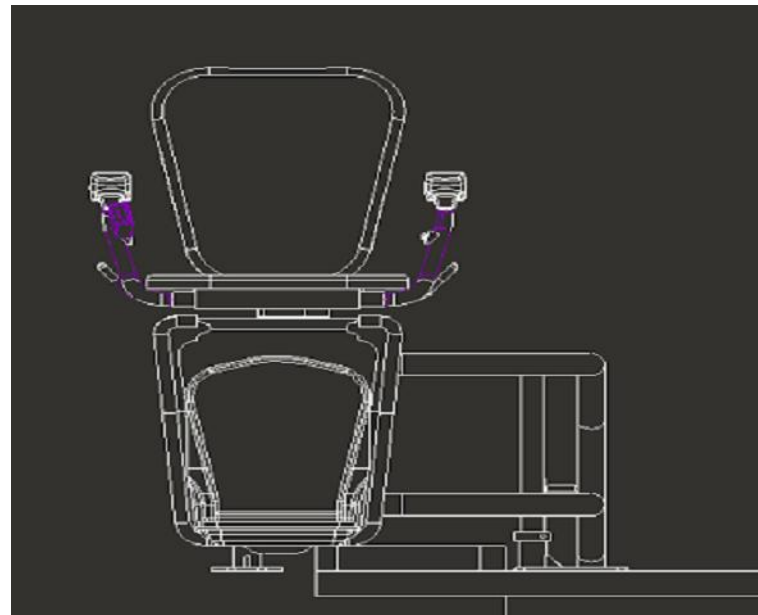
APPROVAL DWG

CUSTOMER:	DATE:
PROJECT: STR8 WITH INT. LANDING	REVISION DATE:
ADDRESS:	COMPLETED BY:

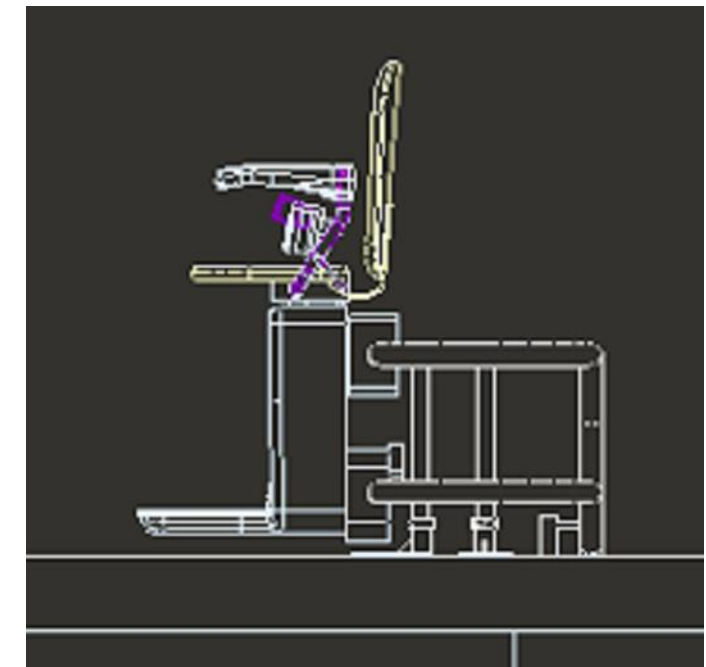
Part No. STAIRFRIEND	
Variant No.	
© savaria 	
JOB No.	SHEET No. 2 OF 3



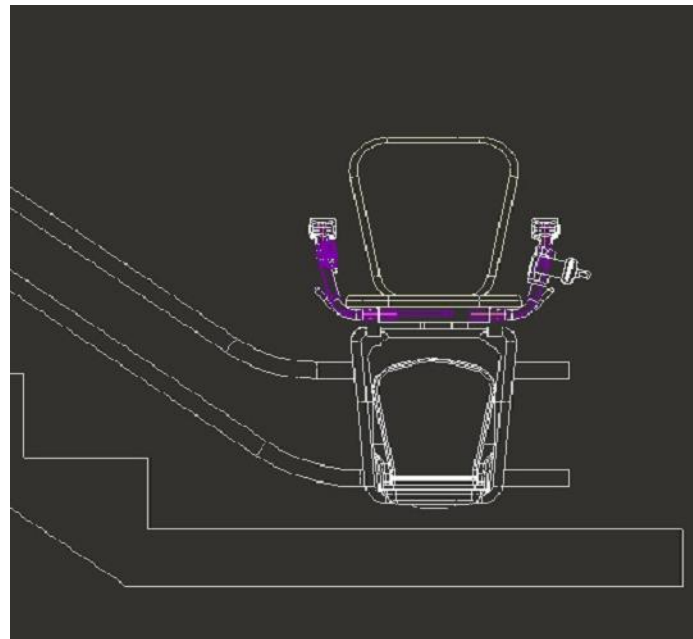
OVERRUN AT TOP



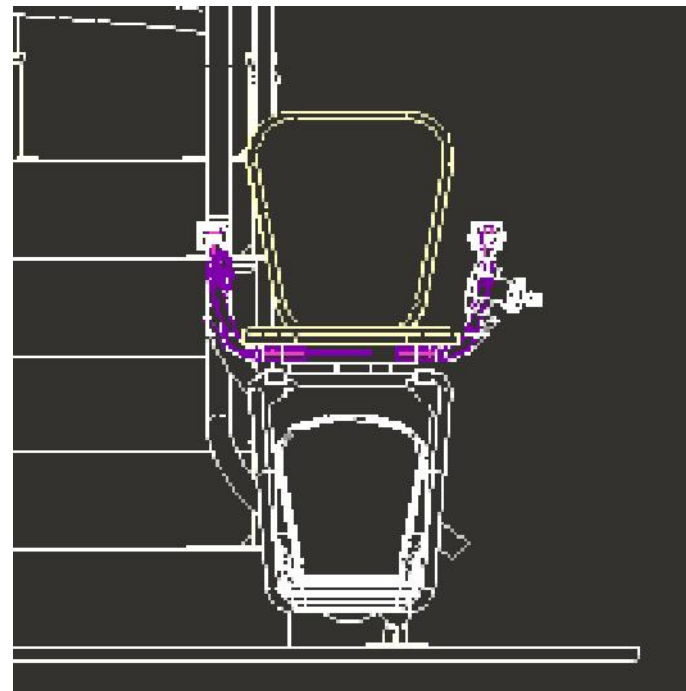
90 DEG PARKING AT TOP



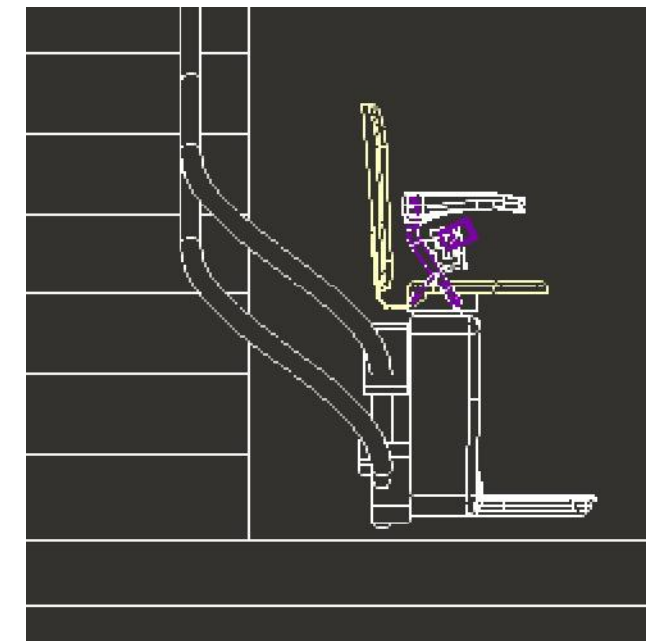
180 DEG PARKING AT TOP



OVERRUN AT BOTTOM




90 DEG PARKING AT BOTTOM



180 DEG PARKING AT BOTTOM

DIMENSIONS ARE
IN INCHES

APPROVAL DWG

CUSTOMER:		DATE:	Part No. STAIRFRIEND	
PROJECT: STR8 WITH INT. LANDING		REVISION DATE:	Variant No.	
ADDRESS:		COMPLETED BY:	© savaria 	
			JOB No.	SHEET No. 3 OF 3