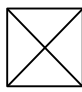
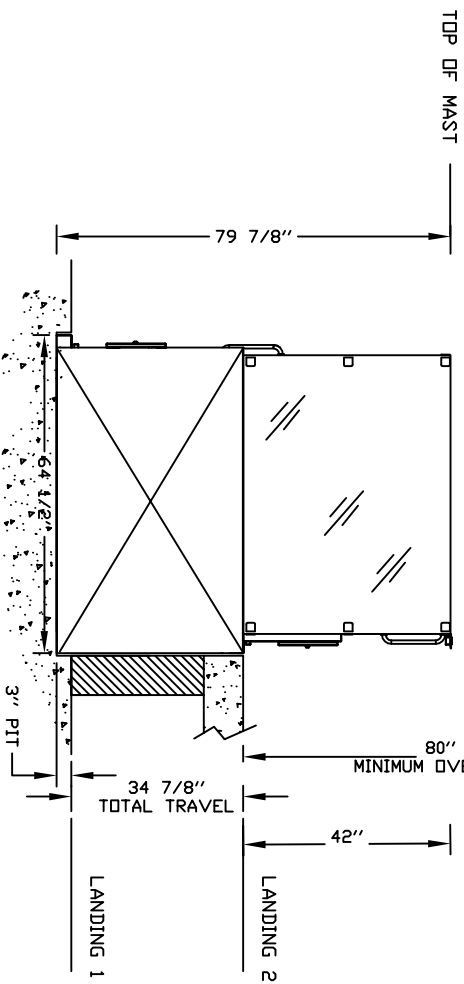
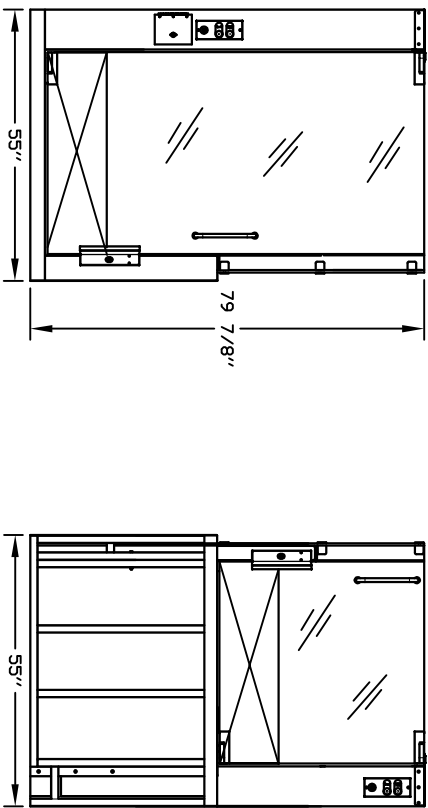
 : GLASS
 : ST/ST

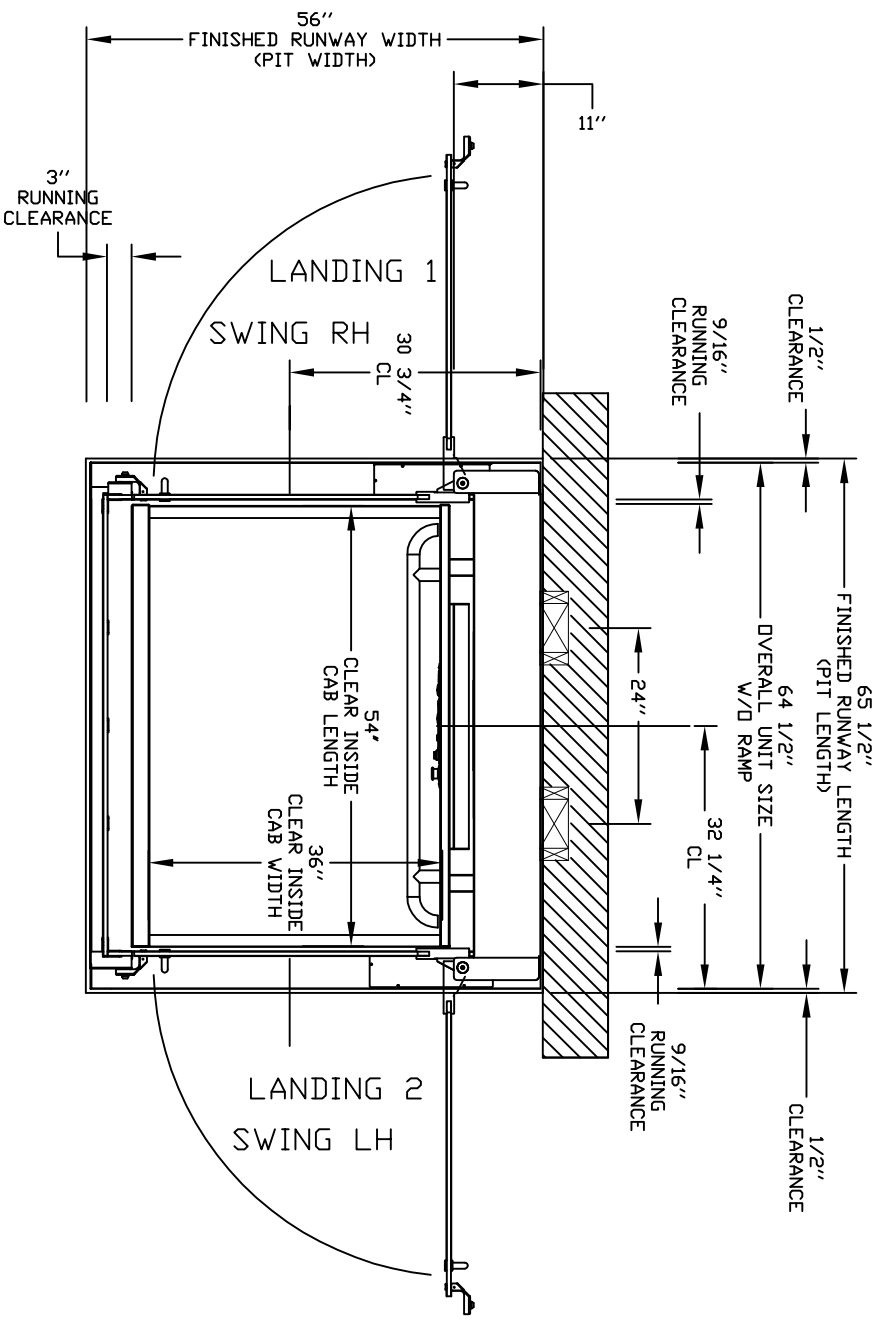
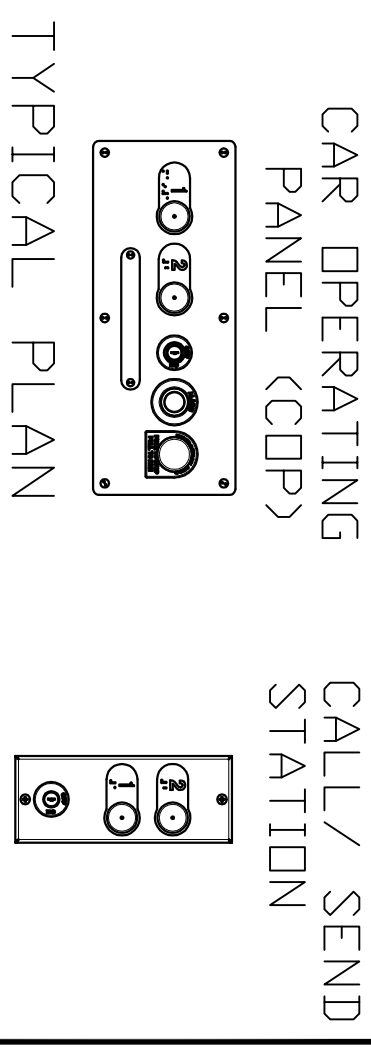


DRAWING APPROVAL:

- THIS DRAWING REFLECTS OUR INTERPRETATION OF THE INFORMATION PROVIDED BY THE DEALER ON THE ORDER FORM. THIS INFORMATION IS THE DEALER'S RESPONSIBILITY, AND IS THE BASIS FROM WHICH THIS LIFT IS DESIGNED AND MANUFACTURED. PLEASE INDICATE THE REQUESTED ACTION BY CHECKING ONE OF THE FOLLOWING BOXES AND SIGNING BELOW TO AUTHORIZE COMPLETION OF THIS ORDER.
- APPROVED WITH NO EXCEPTIONS
 - APPROVED WITH EXCEPTIONS, NO REAPPROVAL REQUIRED
 - CHANGE AS NOTED, REAPPROVAL REQUIRED
 - MAKE CHANGES AS NOTED, SEND CORRECTED DRAWING FOR REAPPROVAL BEFORE MANUFACTURE

SIGNATURE: _____ DATE: _____

CAUTION: ONCE THE DRAWING IS APPROVED, JOB CANCELLATION FEES WILL APPLY.



GENERAL ARRANGEMENT
 ENCLOSED VERTICAL WHEELCHAIR PLATFORM LIFT

PROJECT: _____
 ADDRESS: _____
 CUSTOMER: _____
 DATE: 08/23/12
 REVISION DATE: M/M/00/YY
 COMPLETED BY: PHILLIP T.

OFFICE USE ONLY:
 CONFIGURATION VERSION STAMP: 0.1
 MODULE VERSION STAMP: B-S-61

Part No. V1504-PE
 Variant No. 80032793


 Type-2 1 of 2