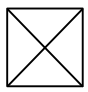
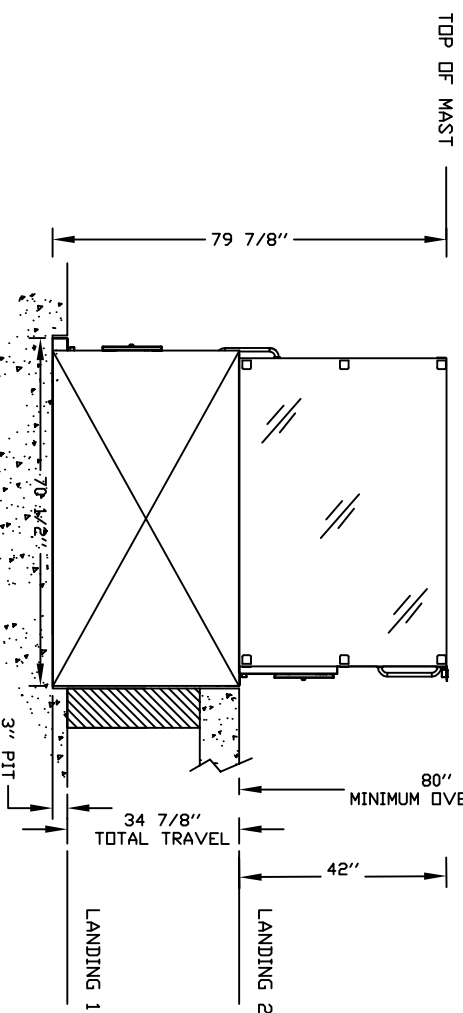
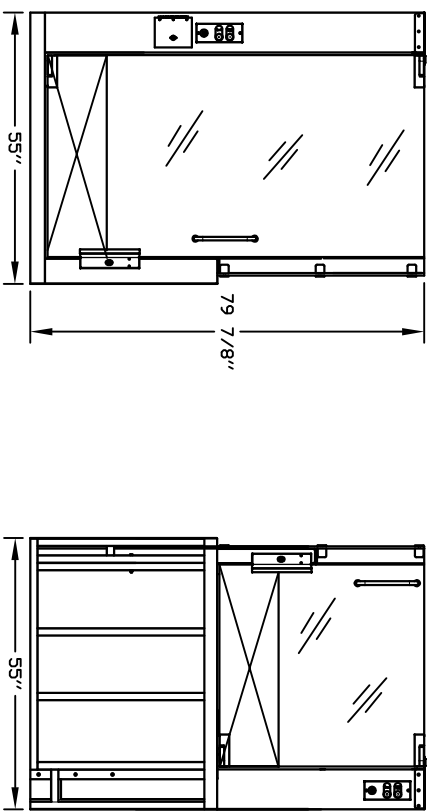
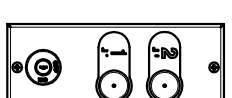
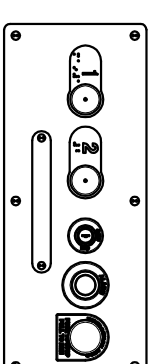
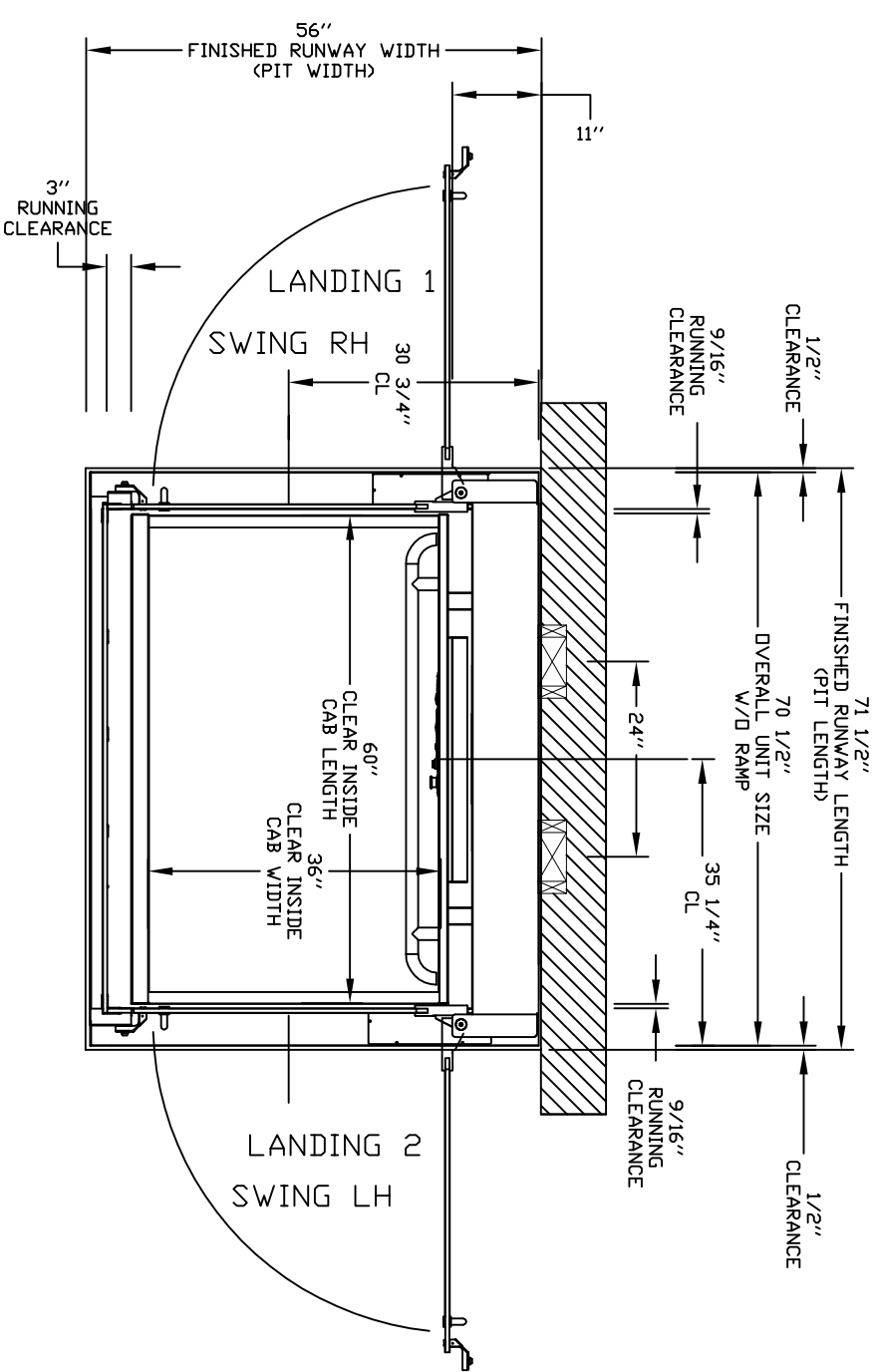
 : GLASS  
 : ST/ST



CAR OPERATING PANEL (COP)  
 CALL / SEND STATION



### TYPICAL PLAN



### DRAWING APPROVAL:

THIS DRAWING REFLECTS OUR INTERPRETATION OF THE INFORMATION PROVIDED BY THE DEALER ON THE ORDER FORM. THIS INFORMATION IS THE DEALER'S RESPONSIBILITY, AND IS THE BASIS FROM WHICH THIS LIFT IS DESIGNED AND MANUFACTURED. PLEASE INDICATE THE REQUESTED ACTION BY CHECKING ONE OF THE FOLLOWING BOXES AND SIGNING BELOW TO AUTHORIZE COMPLETION OF THIS ORDER.

APPROVED WITH NO EXCEPTIONS  
 APPROVED WITH EXCEPTIONS, NO REAPPROVAL REQUIRED  
 MAKE CHANGES AS NOTED, NO REAPPROVAL DRAWING REQUIRED  
 CHANGE AS NOTED, REAPPROVAL REQUIRED  
 MAKE CHANGES AS NOTED, SEND CORRECTED DRAWING FOR REAPPROVAL BEFORE MANUFACTURE

SIGNATURE: \_\_\_\_\_ DATE: \_\_\_\_\_  
 CAUTION: ONCE THE DRAWING IS APPROVED, JOB CANCELLATION FEES WILL APPLY

**OFFICE USE ONLY:**  
 CONFIGURATION VERSION STAMP: 0.1  
 MODULE VERSION STAMP: B-S-61

Part No. V1504-PE  
 Variant No. 80032793

**GENERAL ARRANGEMENT**  
 ENCLOSED VERTICAL WHEELCHAIR PLATFORM LIFT

PROJECT: \_\_\_\_\_  
 ADDRESS: \_\_\_\_\_  
 CUSTOMER: \_\_\_\_\_  
 DATE: 08/23/12  
 REVISION DATE: MM/DD/YY  
 COMPLETED BY: PHILLIP T.

  
 Type-21 of 2