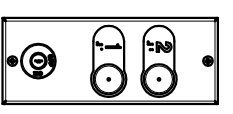
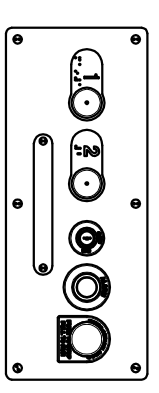
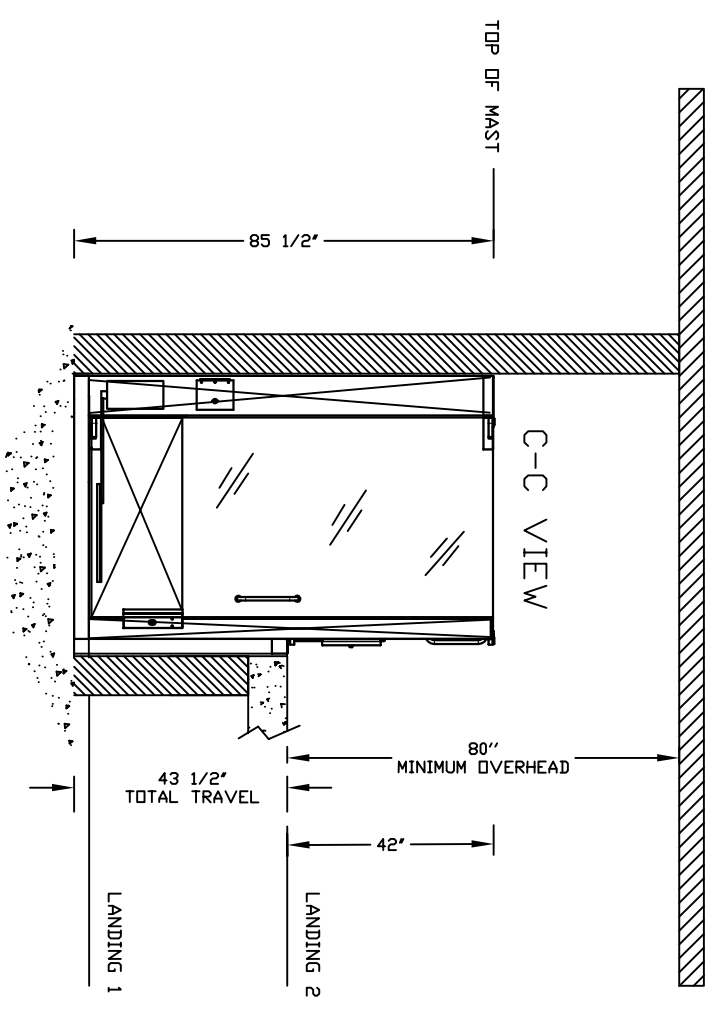
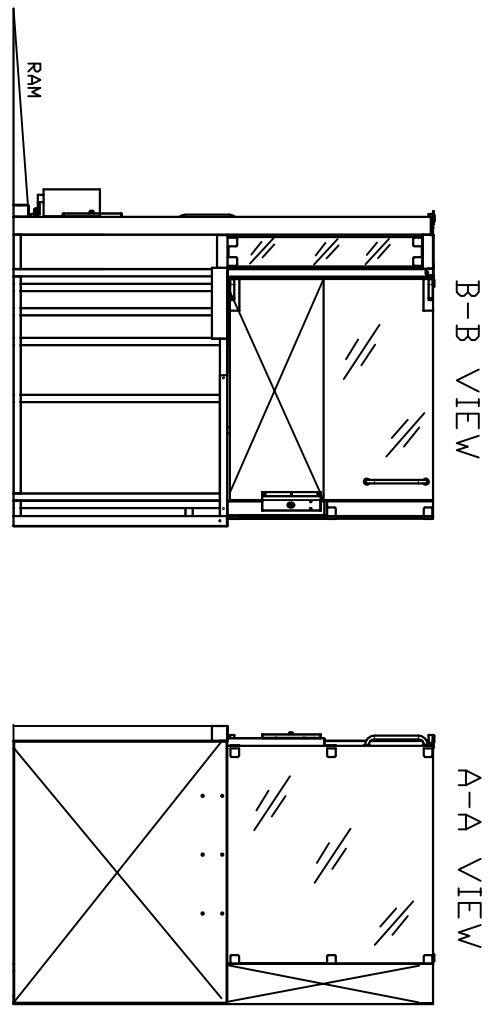


CAR OPERATING PANEL (COP)  
CALL/ SEND STATION

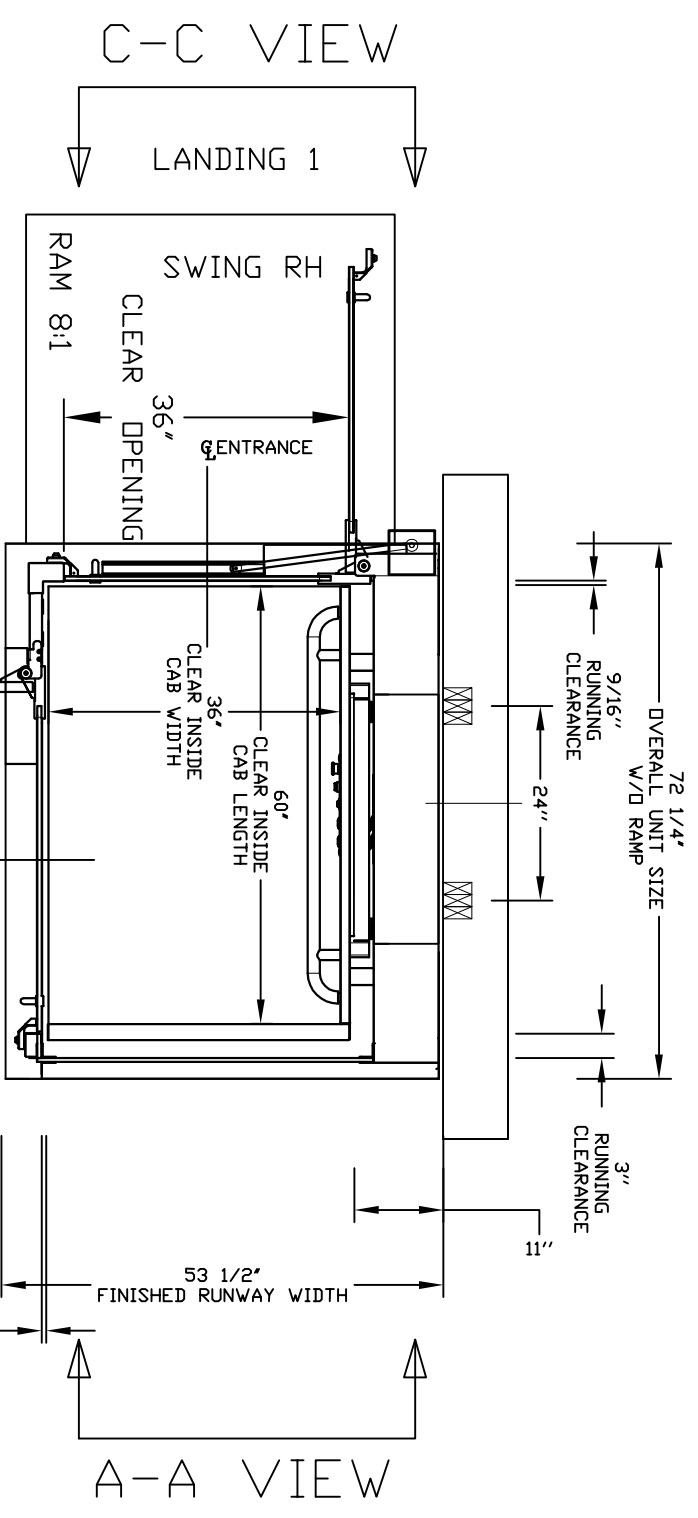


TYPICAL PLAN

SUPPORT WALL OPTIONAL FOR 48" UNIT OR LESS IN STRAIGHT THROUGH CONFIG ONLY



- : GLASS
- : ST/ST



DRAWING APPROVAL:

THIS DRAWING REFLECTS OUR INTERPRETATION OF THE INFORMATION PROVIDED BY THE DEALER ON THE ORDER FORM. THIS INFORMATION IS THE DEALER'S RESPONSIBILITY, AND IS THE BASIS FROM WHICH THIS LIFT IS DESIGNED AND MANUFACTURED. PLEASE INDICATE THE REQUESTED ACTION BY CHECKING ONE OF THE FOLLOWING BOXES AND SIGNING BELOW TO AUTHORIZE COMPLETION OF THIS ORDER.

- APPROVED WITH NO EXCEPTIONS
- APPROVED WITH EXCEPTIONS, NO REAPPROVAL REQUIRED
- APPROVED WITH EXCEPTIONS, NO REAPPROVAL REQUIRED MAKE CHANGES AS NOTED, SEND CORRECTED DRAWING FOR REAPPROVAL BEFORE MANUFACTURE
- CHANGE AS NOTED, REAPPROVAL REQUIRED MAKE CHANGES AS NOTED, SEND CORRECTED DRAWING FOR REAPPROVAL BEFORE MANUFACTURE

SIGNATURE: \_\_\_\_\_ DATE: \_\_\_\_\_

CAUTION: ONCE THE DRAWING IS APPROVED, JOB CANCELLATION FEES WILL APPLY

GENERAL ARRANGEMENT  
ENCLOSED VERTICAL WHEELCHAIR PLATFORM LIFT

OFFICE USE ONLY:  
CONFIGURATION VERSION STAMP: 0.1  
MODULE VERSION STAMP: B-S-61

Part No. V1504-PRESTIGE  
Variant No. 80033228

CUSTOMER: \_\_\_\_\_  
PROJECT: \_\_\_\_\_  
ADDRESS: \_\_\_\_\_  
DATE: 09/21/12  
REVISION DATE: mm/dd/yy  
COMPLETED BY: PHILLIP T.

savaria  
Type-4 1 of 2